



**CATALOGO DE PARTES**  
**SYM CROXR180i**

AE18W1


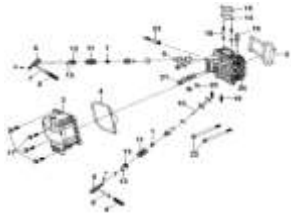


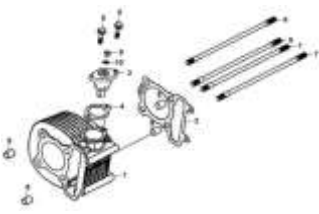
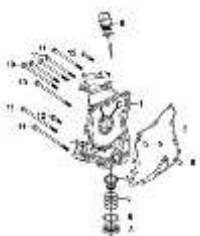
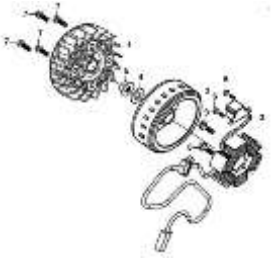
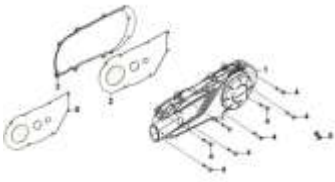
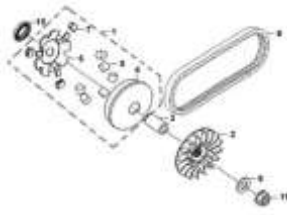

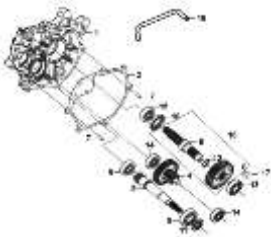
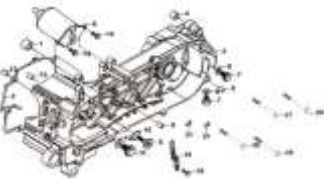


LO QUE TE MUEVE

<b>N O</b>	<b>MODEL</b>	<b>AE18W1-COC( AC1/CROX 180i )</b>	
	<b>DATE</b>		
	<b>BASIC COLOR</b>		<b>K</b>
	<b>COLOR CODE</b>		<b>BK-001C</b>
	<b>Description</b>	<b>Parts Number</b>	<b>BLACK</b>
1	RR. CAST. WHEEL	42601-XJA-0101	K
2	FR. WHEEL RIM COMP.	44601-XFA-0001	K
3	FR. BRAKE DISK	45121-AWU-0000	K
4	SPDMT. GEAR BOX	44800-ATA-0001	K
5	R. FR. CUSHION	51400-AWA-0002	K-M2
6	L. FR. CUSHION	51500-AWA-0002	K-M2
7	RR. FORK	5210A-AEF-0001	GY
10	FR. HANDLE COVER	53205-AWU-0000	F1
11	FR. FENDER	61100-AWU-0000	F1
12	FR. COVER	64301-AWU-0000	F1
13	FR. TOP COVER	64303-AWU-0100	F1
14	FRAME NUMBER LID	64318-ALA-0000	BK
15	RR CARRIER ASS'Y	81200-AWU-0001	F1
16	RH BODY CPVER	83500-AAA-0002	F1
17	LH BODY COVER	83600-AAA-0001	F1
18	L. CRANK CASE COVER	11341-Z5D-0200	K1

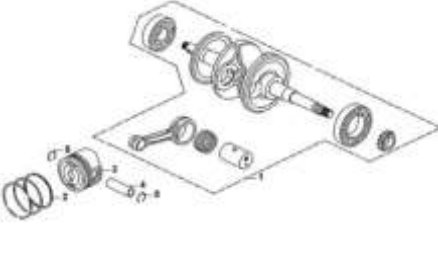
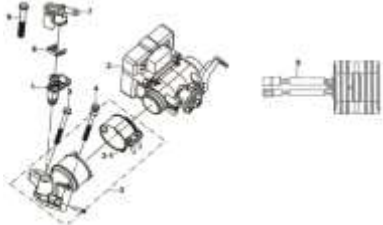
# 引擎部品目錄

## CONTENTS-ENGINE GROUP

<p><b>E01</b> SHROUD ASSY</p> 	<p><b>E02</b> SHROUD ASSY</p> 	<p><b>E03</b> CAM SHAFT&amp;CYL. HEAD L. SIDE COVER</p> 
<p><b>E04</b> R CRANK CASE&amp;OIL PUMP ASSY</p> 	<p><b>E05</b> CYLINDER</p> 	<p><b>E06</b> R. CRANK CASE COVER</p> 
<p><b>E07</b> AC GEN. ASSY</p> 	<p><b>E08</b> L. CRANK CASE COVER</p> 	<p><b>E09</b> MOVABLE DRIVE FACE ASS'Y</p> 
<p><b>E10</b> DRIVEN PULLEY ASS'Y</p> 	<p><b>E11</b> MISSION CASE&amp;DRIVE SHAFT</p> 	<p><b>E12</b> CRANK CASE</p> 

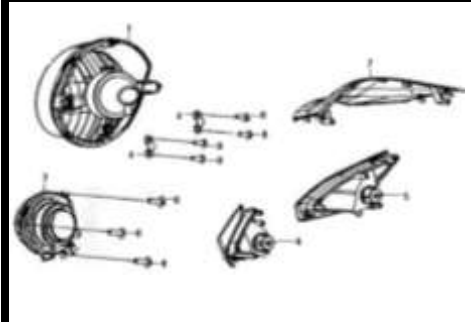
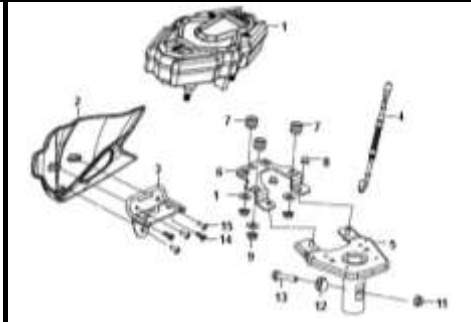
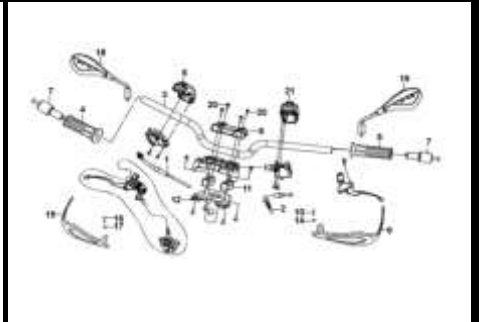
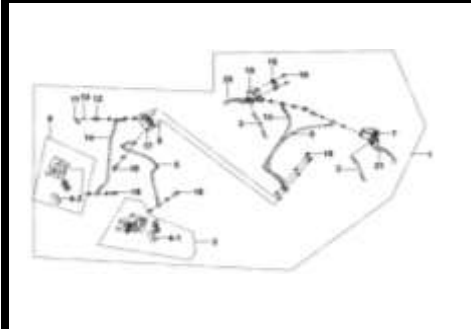
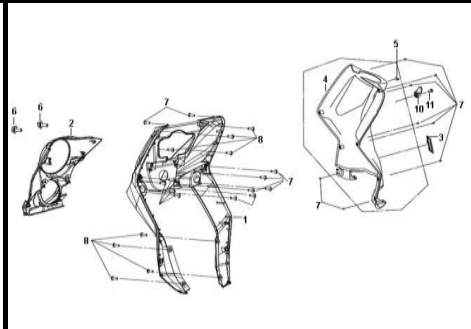
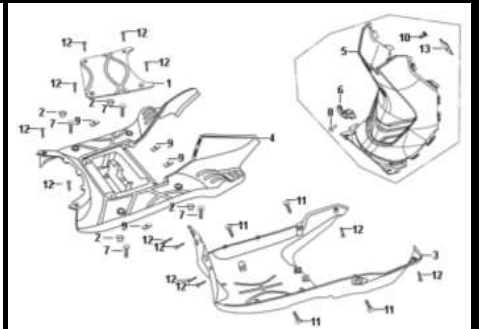
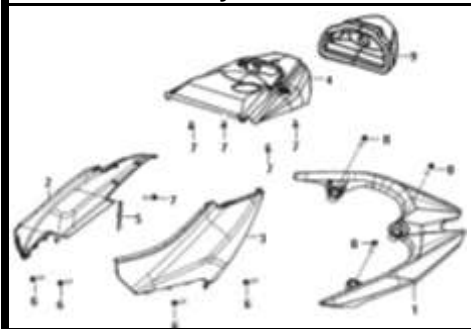
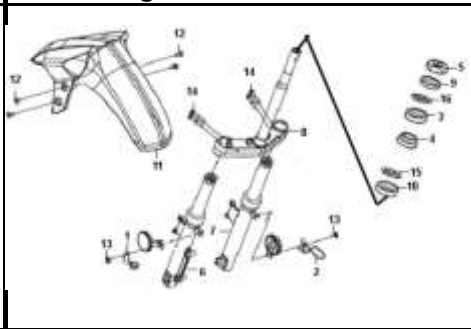
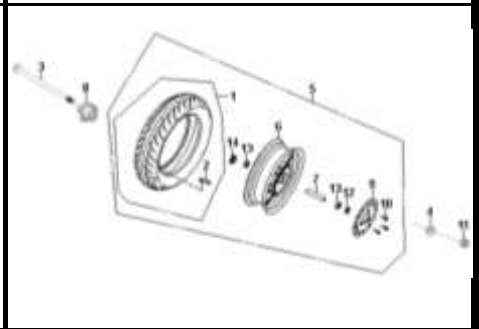
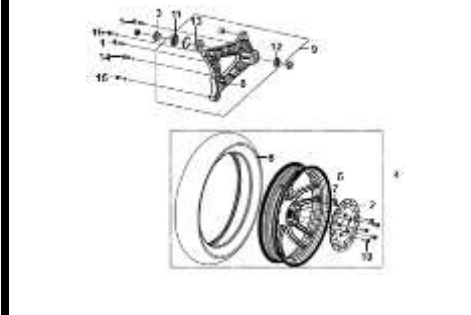
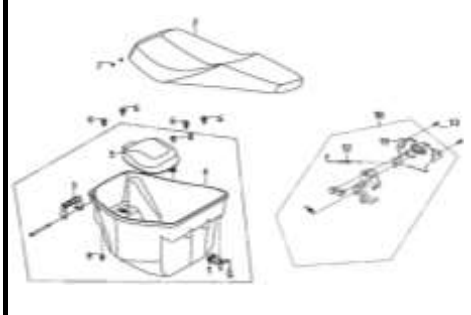
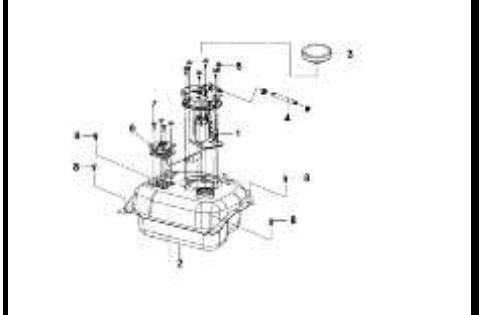
# 引擎部品目錄

## CONTENTS-ENGINE GROUP

E13 CRANK SHAFT	E14 ECU Set	
		

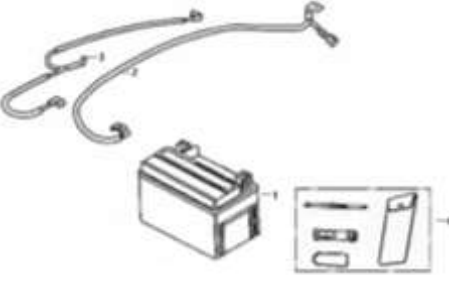
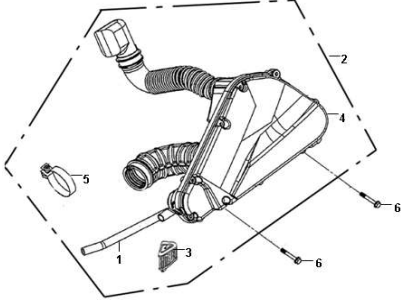
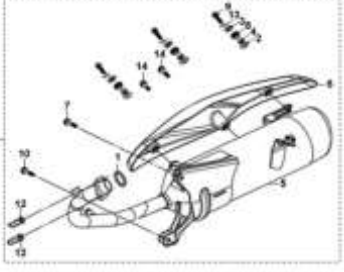
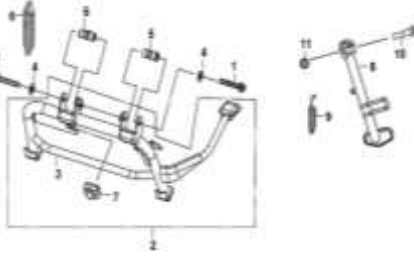
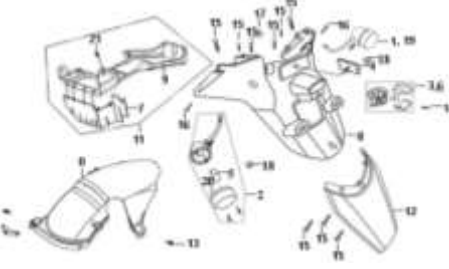
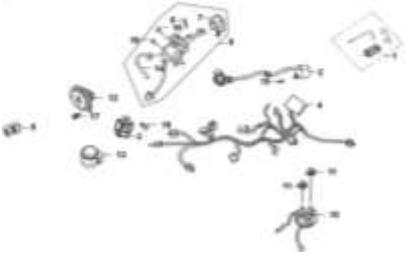
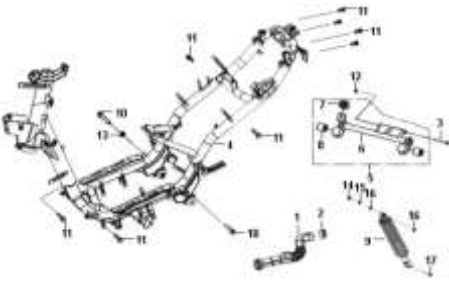
# 車架部品目錄

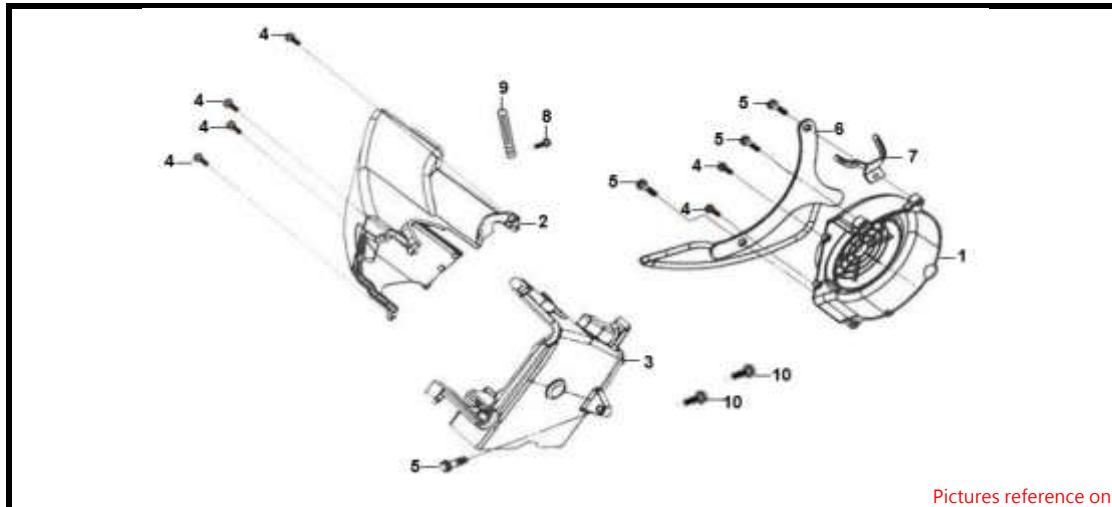
## CONTENTS-FRAME GROUP

<b>F01</b> 头灯 <b>Head Light</b>	<b>F02</b> 速度表 <b>Speed Meter</b>	<b>F03</b> 导线·开关·把手拉杆 <b>Cable·Switch·Handle Lever</b>
		
<b>F04</b> 刹车系统 <b>Brake System ASSY</b>	<b>F05</b> 前面板·前置物箱 <b>Front Cover·Front Inner Box</b>	<b>F06</b> 脚踏板·中央盖 <b>Floor Panel·Center Cover</b>
		
<b>F07</b> 车体盖 <b>body cover</b>	<b>F08</b> 转向主杆·前避震器 <b>Steering Stem·Front Cushion</b>	<b>F09</b> 前轮 <b>Front Wheel</b>
		
<b>F10</b> 后轮 <b>Rear Wheel</b>	<b>F11</b> 坐垫·后把手 <b>Seat·Rear Grip</b>	<b>F12</b> 油箱 <b>Fuel Tank</b>
		

# 車架部品目錄

## CONTENTS-FRAME GROUP

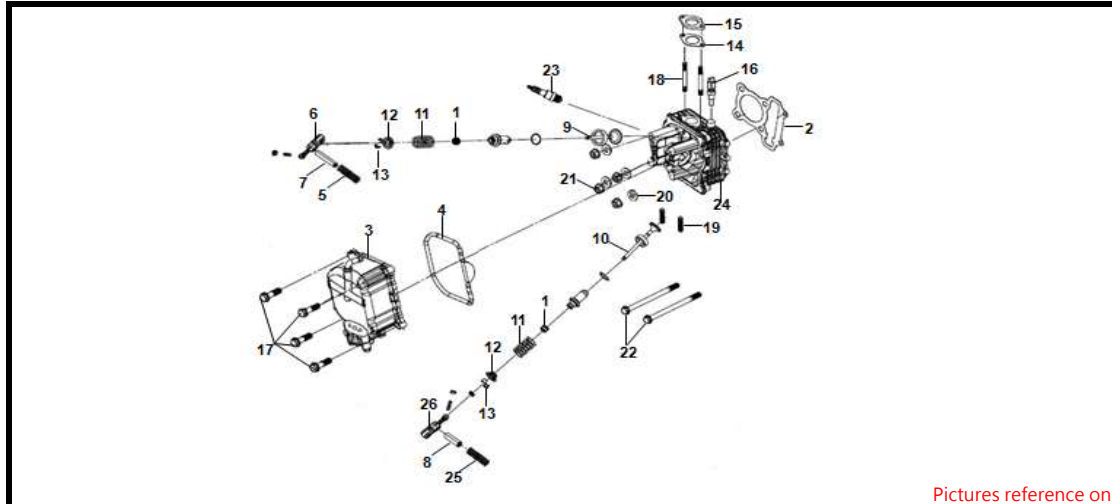
<b>F13</b> 电瓶・工具箱 <b>Battery·Tool Box</b>	<b>F14</b> 空滤器 <b>Air Cleaner</b>	<b>F15</b> 排气管 <b>Exhaust Muffler</b>
		
<b>F16</b> 主脚架・起动杆 <b>Main Stand·Kick Starter Arm</b>	<b>F17</b> 后挡泥板・后内挡泥板 <b>Rear Fender · Rear Inner Fender</b>	<b>F18</b> 电路主线 <b>Wire harness</b>
		
<b>F19</b> 车架・引擎悬吊 <b>Frame Body · Engine Hanger</b>		
		



Pictures reference only

NO	PARTS NUMBER	DESCRIPTION-ZH	DESCRIPTION	QTY	EFFECTIVE DATE
01	1961A-ANL-000		Fan cover COMP.	1	
02	1962A-ANL-000		Shroud A ASSY.	1	
03	1963A-ANL-000		Shroud B ASSY.	1	
04	93904-35380		Tapping screw 5*16	6	
05	96001-06025-08		SH. flange bolt 6*25	4	
06	18241-AEF-000		EXH. pipe protector	1	
07	19613-GY6-900		Starter motor cord clamp	1	
08	93903-34380		Tapping screw 4*12	1	
09	94591-28000		Clip 2*80	1	
10	93903-25380		Tapping screw 5*16	2	

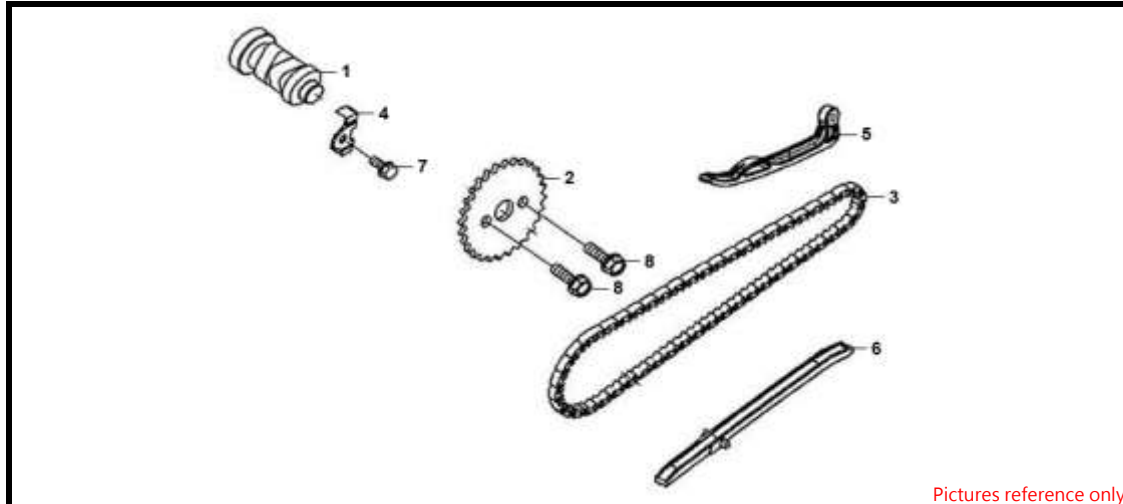




Pictures reference only

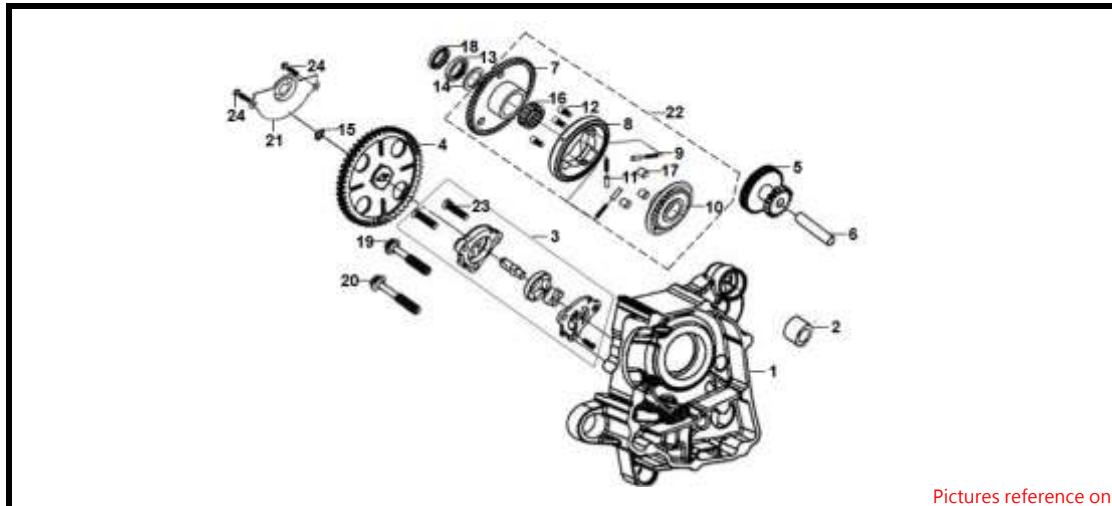
NO	PARTS NUMBER	DESCRIPTION-ZH	DESCRIPTION	QTY	EFFECTIVE DATE
01	12209-H6B-900		Valve stem seal	2	
02	12251-XJA-000		Cylinder head gasket	1	
03	12310-A61-000		Cylinder head cover COMP	1	
04	12308-F6C-000		Separate plate gasket	1	
05	14439-F62-010		Rocker arm torsion spring	1	
06	1443A-ANL-000		Valve rocker arm ASSY.	1	
07	14451-ANL-000		IN. rocker arm shaft	1	
08	14452-ANL-000		EXH. rocker arm shaft	1	
09	14711-F8A-000		IN. valve	1	
10	14721-F8A-000		EXH. valve	1	
11	14751-ARA-000		Valve spring	2	
12	14771-F6C-A00		Retainer valve spring	2	
13	14781-A01-A00		Valve cotter	4	
14	16201-ANL-010		CARB. insulator gasket	2	
15	16211-ANL-010		CARB. insulator	1	
16	37880-Z5C-000-M1		CYL. head TEMP. sensor	1	
17	93903-34180		Tapping screw 4*8	4	
17	93903-34120		Tapping screw 4*8	4	03/01/2020
18	90033-M92-000		STUD bolt 6*55	2	
19	90034-HMA-000		Special STUD bolt 8*40	2	
20	90442-028-000		Sealing washer 8MM	4	
21	94050-08080		Flange nut 8MM	4	
22	96001-06095-08		Flange sh bolt 6*95	2	
23	98056-57718-TW		PLUG. spark(NGK CR7HSA)	1	
24	1220C-XJA-000		Cylinder head	1	
25	14439-XJA-000		Rocker arm torsion spring	1	
26	1443A-ANL-000		In valve rocker arm ASSY. 气门摇臂	1	





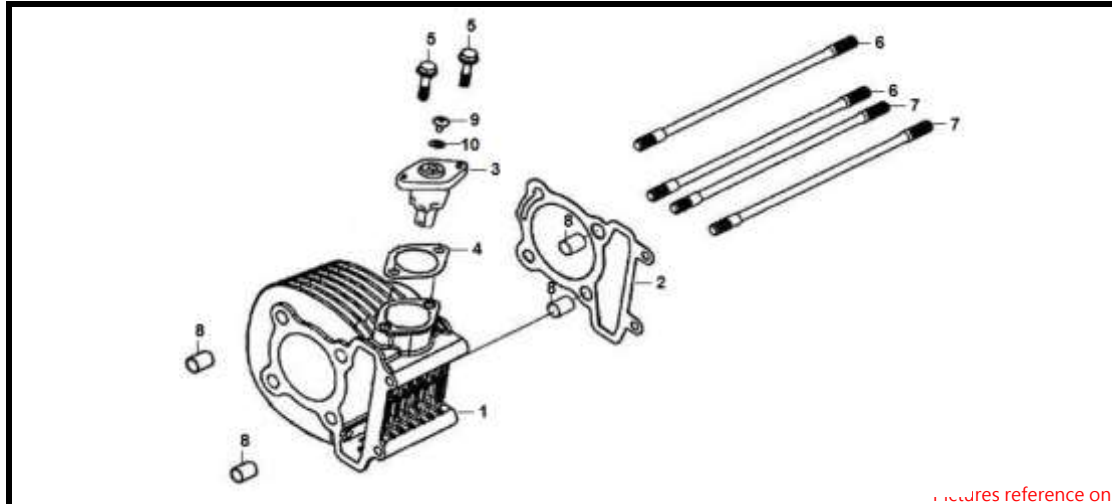
Pictures reference only

NO	PARTS NUMBER	DESCRIPTION-ZH	DESCRIPTION	QTY	EFFECTIVE DATE
01	14100-XJA-010		Cam shaft COMP.	1	
02	14105-F6A-000		Cam sprocket	1	
03	1C14401-M92-000-M2		Cam chain	1	
04	14457-ANL-000		Cam shaft setting plate	1	
05	14510-F8A-000		Cam chain tensioner	1	
06	14610-F8A-000		Cam chain guide	1	
07	96001-06012-08		SH. flange bolt 6*12	1	
08	90083-B12-000		Knock bolt 6MM	2	



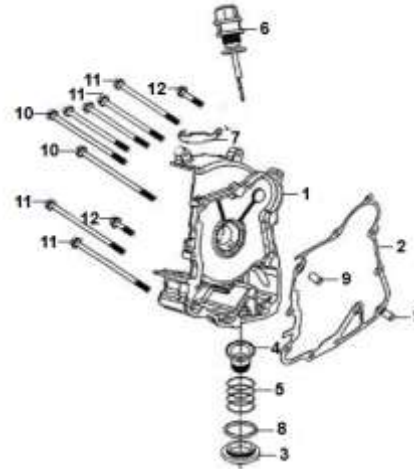
Pictures reference only

NO	PARTS NUMBER	DESCRIPTION-ZH	DESCRIPTION	QTY	EFFECTIVE DATE
01	11100-ARA-000		R. crank case COMP.	1	
02	11102-M9Q-300		ENG. hanger rubber bush	1	
03	15100-F6C-000-XS		Oil pump ASSY.	1	
04	15133-F6C-000		Oil pump driven gear	1	
05	28101-GY6-900		Starter reduction gear	1	
06	28102-GY6-900		Start. red. gear shaft	1	
07	28110-VVC-000		Start. clutch gear COMP	1	
08	28120-M9Q-000		Starting clutch outer COMP.	1	
09	28124-XJA-000		Starter clutch roller spring	3	
10	28125-XJA-000		Starting clutch flange COMP.	1	
11	28126-M9Q-000		Starting roller spring cap	3	
12	90002-XJA-000		Socket bolt 6*10	3	
13	90201-GY6-900		Lock nut 22MM	1	
14	90403-M92-000		Thrust washer 22.2*31*1.5	1	
15	90602-N01-000		C-clip 8mm	2	
16	91104-M9Q-000-M3		Needle bearing 28*32*17	1	
17	91105-VUA-010		Roller 10*10	3	
18	91201-M9Q-300-M2		Oil seal 19.8*30*5R	1	
19	96001-06045-08		Flange bolt 6*45	1	
20	96001-06055-08		Flange bolt 6*55	1	
21	15711-M92-000		Oil pump separator	1	
22	2812A-XJA-000		Starting clutch outer ASSY.	1	
23	93600-06025-0H		Flate screw 6*25	2	
24	96001-06012-08		SH. flange bolt 6X12	2	



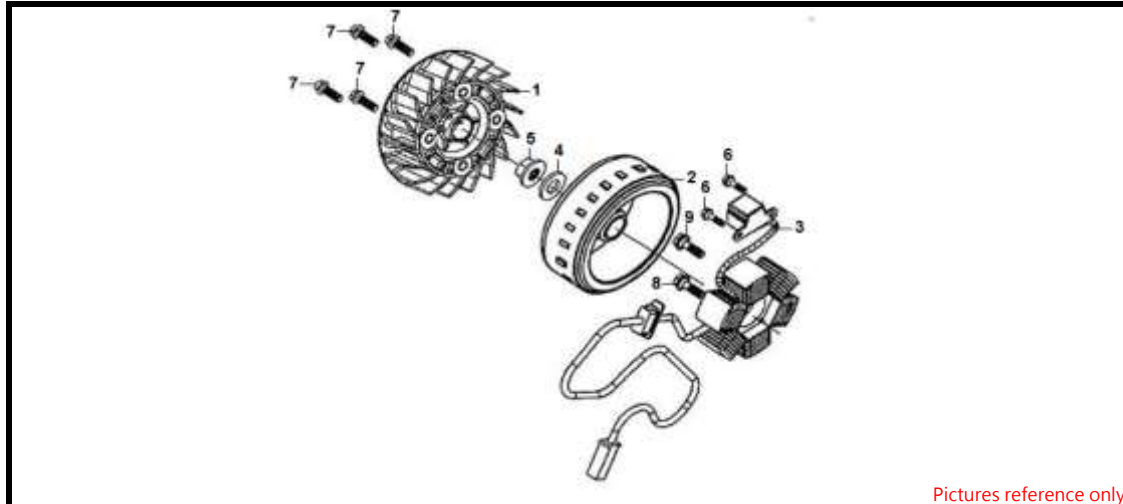
figures reference only

NO	PARTS NUMBER	DESCRIPTION-ZH	DESCRIPTION	QTY	EFFECTIVE DATE
01	12100-XJA-010		Cylinder	1	
02	12191-F6C-000		Cylinder gasket	1	
03	14520-GY6-901		Tensioner lifter ASSY.	1	
04	14523-GY6-900-KD		Tensioner lifter gasket	1	
05	90001-M9Q-000		SH. flange bolt 6*22	2	
06	90031-107-010		Cylinder stud bolt A	2	
07	90032-A6A-000		Cylinder stud bolt B	2	
08	90703-M8Q-000		Dowel pin 10*14	4	
09	90005-KW1-900-G1		Pan screw 6*6	1	
10	91306-GY6-A00		O-ring 1.78*9.5	1	



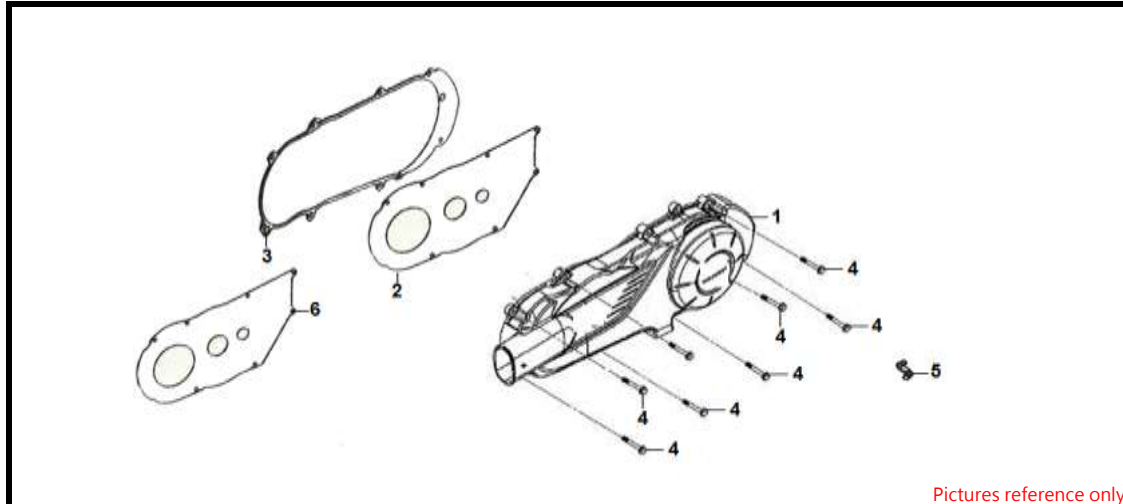
Pictures reference only

NO	PARTS NUMBER	DESCRIPTION-ZH	DESCRIPTION	QTY	EFFECTIVE DATE
01	11331-ARB-000		R. crank case cover	1	
02	11394-F6C-000		R. cover gasket	1	
03	12361-M9Q-000		Tappet adjusting hole cap	1	
04	15421-H66-000		Oil filter screen	1	
05	15426-M9Q-000		Oil fillter screen SPG.	1	
06	1565A-F6A-000		Oil level gauge	1	
07	32961-ARA-000		ACG cord clasper	1	
08	91302-M9T-000		O-ring 30.8MM	1	
09	94301-08140		Dowel pin 8*14	2	
10	96001-06100-08		SH flange bolt 6*100	2	
11	96001-06095-08		Flange sh bolt 6*95	6	
12	96001-06030-08		SH. flange bolt 6*30	2	



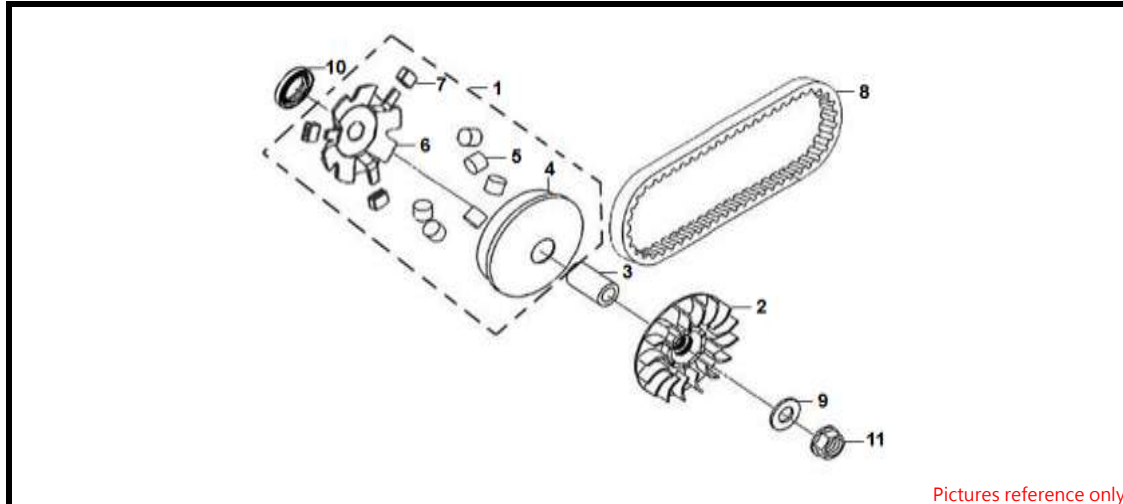
Pictures reference only

NO	PARTS NUMBER	DESCRIPTION-ZH	DESCRIPTION	QTY	EFFECTIVE DATE
01	19510-H69-000		Cooling fan COMP.	1	
02	31110-Z5C-010		Flywheel COMP	1	
03	31120-Z5C-010		Loop COMP.	1	
04	90440-166-000		Plane gasket 12MM	1	
05	94050-12000		Flange nut 12MM	1	
06	92101-05012-0A		HEX bolt 5*12mm	2	
07	96001-06018-08		Flange bolt 6*18	4	
08	96001-06028-08		SH. flange bolt 6*28	1	
09	96001-06020-00		SH. flange bolt 6*20	1	



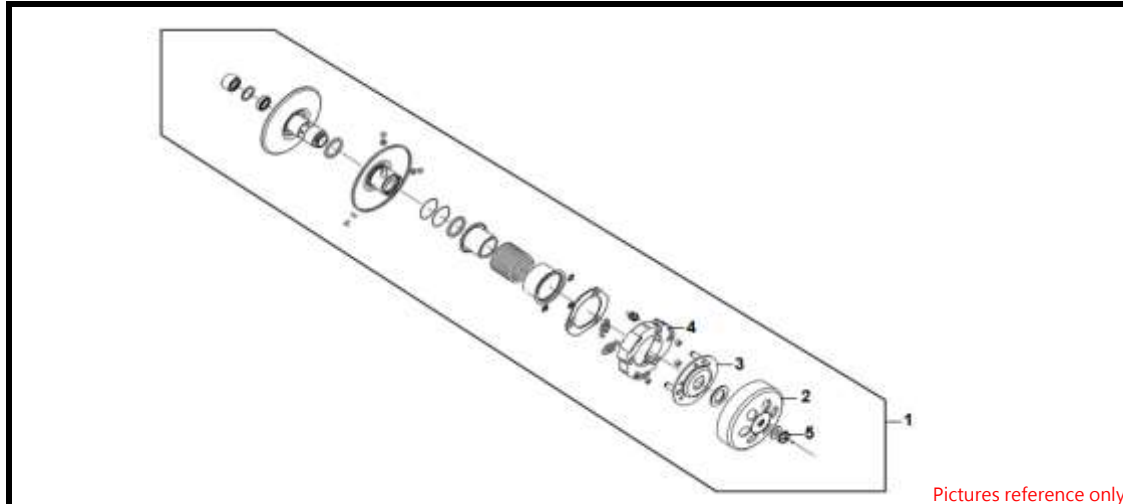
Pictures reference only

NO	PARTS NUMBER	DESCRIPTION-ZH	DESCRIPTION	QTY	EFFECTIVE DATE
01	11341-Z5D-020-K1		L. crank case cover(NH-105)	1	
02	11342-ANA-000		L. side cover plate	1	
03	11395-ANA-000		L. side cover gasket	1	
04	96001-06030-00		Flange bolt SH 6*30	8	
05	11382-AE1-000		Brake cable clasper B	1	
06	11343-ANA-000		L. side cover plate gasket	1	



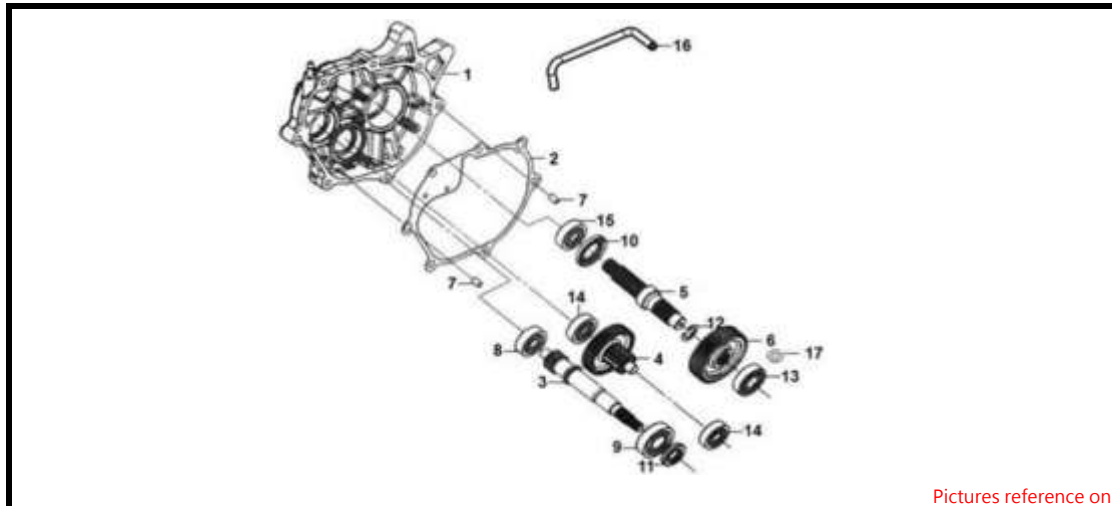
NO	PARTS NUMBER	DESCRIPTION-ZH	DESCRIPTION	QTY	EFFECTIVE DATE
01	2211A-AEN-000		Movable drive face ASSY.	1	
02	22102-M92-000		Drive face COMP.	1	
03	22105-M92-000		Drive face bush	1	
04	22110-H5B-000		Movable drive face COMP.	1	
05	22121-AEN-000-A		Weight roller COMP.(1SET=6PCS)	1	
06	22131-M92-000		Ramp plate	1	
07	22132-ARA-000-A		Slide piece(1SET=3PCS)	1	
08	1B01XJA01		Drive belt	1	
09	90440-166-000		Plane washer 12MM	1	
10	91202-KJ9-003-M1		Oil seal 25*40*7	1	
11	94050-12000		Flange nut 12MM	1	





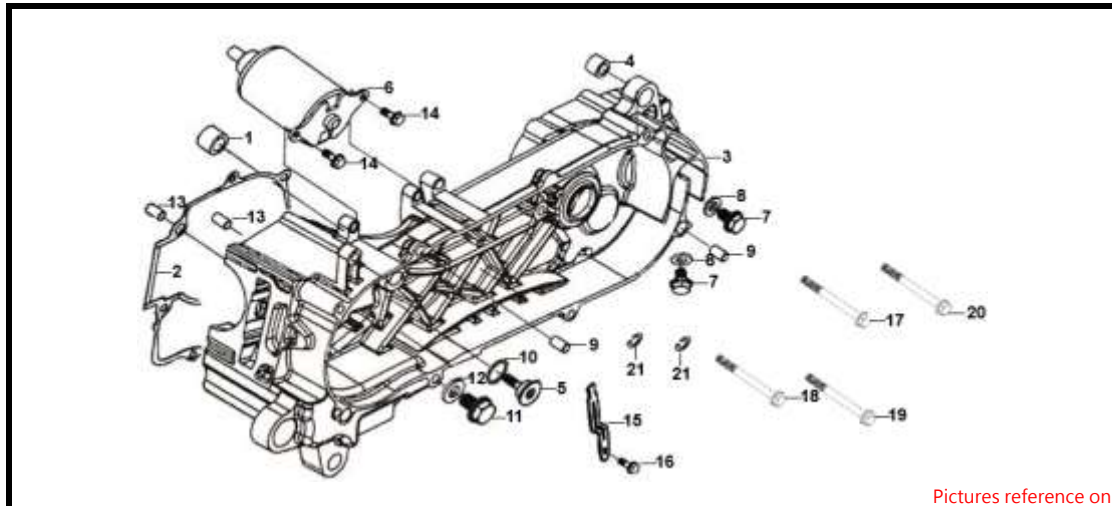
Pictures reference only

NO	PARTS NUMBER	DESCRIPTION-ZH	DESCRIPTION	QTY	EFFECTIVE DATE
01	2301A-F6C-000		Driven pulley set	1	
02	2301A-F6C-010		Driven pulley set	1	01/07/2019
03	22101-M9Q-000		Clutch outer	1	
04	22350-HKE-000		Drive plate COMP.	1	
05	22530-F6C-000		Clutch weight	1	
06	94050-12000		Flange nut 12MM	1	



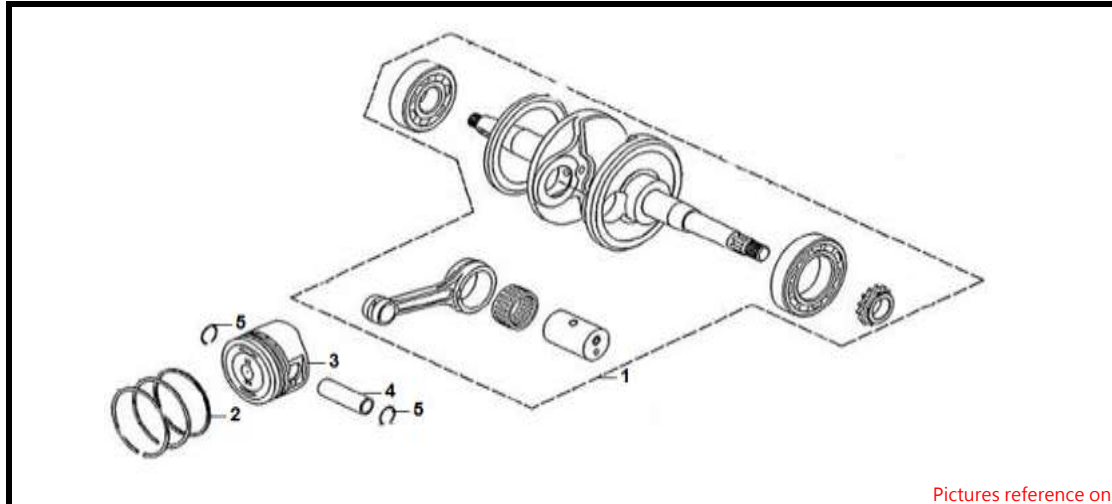
Pictures reference only

NO	PARTS NUMBER	DESCRIPTION-ZH	DESCRIPTION	QTY	EFFECTIVE DATE
01	21200-A6A-000		Mission case COMP.	1	
02	21395-Z2D-000		Mission cover gasket	1	
03	23411-ANA-000		Drive shaft	1	
04	23420-Z7P-010-M1		Counter shaft COMP.	1	
05	23431-AR1-000		Final shaft	1	
06	23432-AR1-000		Final gear 43T	1	
07	90703-M8Q-000		Dowel pin 10*14	2	
08	91003-M8Q-000		Radial ball BRG. CSB301	1	
09	91104-KN7-670-M1		Radial ball BRG. CSB204	1	
10	91203-A6A-000		Oil seal 34*52*8	1	
11	91202-KJ9-003-M1		Oil seal 20*32*6	1	
12	94510-25000		EX. cir-clip 25MM	1	
13	96100-62033-10		Radial ball BRG. 6203	1	
14	96100-63013-00		Radial ball BRG 6301	2	
15	96150-62050-10		Ball radial bearing 6205	1	
16	11221-ABA-000		Mission breather tube	1	
17	90401-ANL-000		Washer 17*30*1	1	



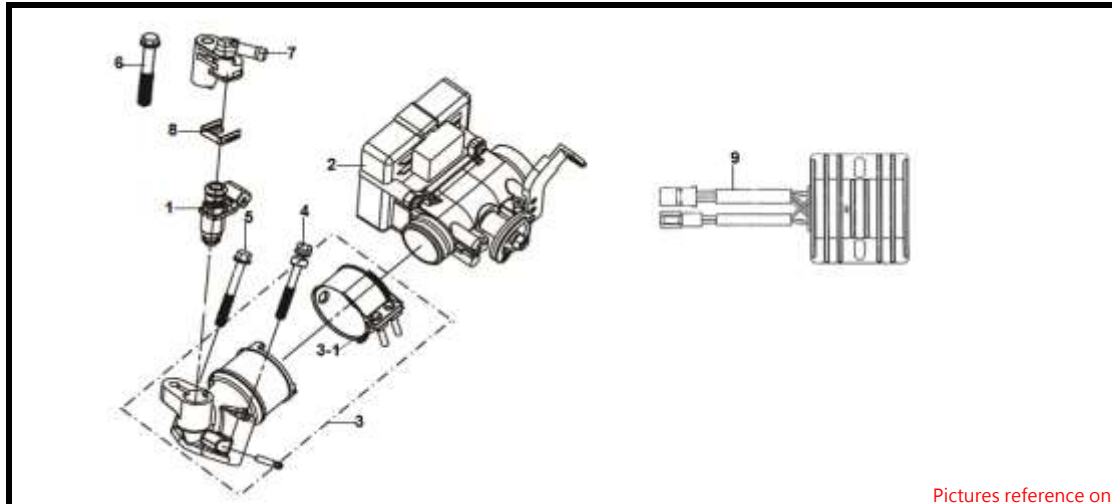
Pictures reference only

NO	PARTS NUMBER	DESCRIPTION-ZH	DESCRIPTION	QTY	EFFECTIVE DATE
01	11102-M9Q-300		ENG. hanger rubber bush	1	
02	11192-ARA-000		R. crank case gasket	1	
03	11200-ANA-010		L. crank case COMP.	1	
04	11203-M9Q-300		RR. CUSH. UN. rubber bush	1	
05	14531-M9Q-000		Cam chain tensioner pivot	1	
06	31200-F6C-000		Start motor ASSY.	1	
07	90103-KN8-000		Special bolt 8MM	2	
08	90474-333-000-KD		Washer 8MM	2	
09	90703-M8Q-000		Dowel pin 10*14	2	
10	91304-M9Q-000		O-ring 15.2*1.5	1	
11	92800-12000		Drain plug bolt 12MM	1	
12	94109-12000		Plug drain bolt washer 12mm	1	
13	94301-08140		Dowel pin 8*14	4	
14	96001-06016-08		SH. flange bolt 6*16	2	
15	11225-ABA-000		AIR/C duct stay	1	
16	96001-06012-00		SH. flange bolt 6X12	1	
17	95701-08055-00		Flange bolt 8*55	2	
18	95701-08060-00		SH. flange bolt 8*60	1	
19	95701-08065-00		Flange bolt 8*65	3	
20	95701-08068-00		Flange bolt 8*68	1	
21	94591-28000		Clip 2*80	2	



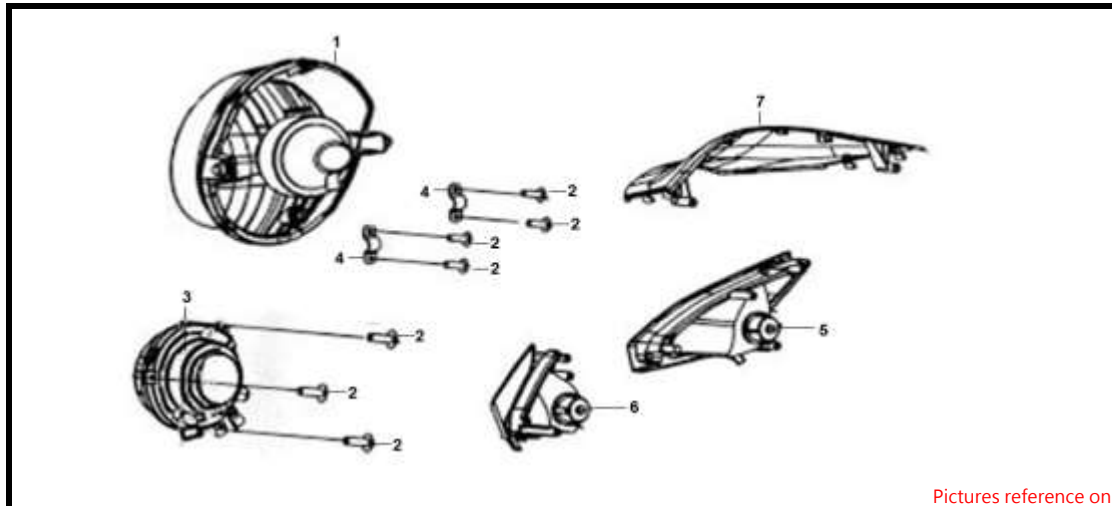
Pictures reference only

NO	PARTS NUMBER	DESCRIPTION-ZH	DESCRIPTION	QTY	EFFECTIVE DATE
01	13000-XJA-000		Crank shaft COMP	1	
02	13010-VVC-000		Piston ring set	1	
03	13101-XJA-000		Piston	1	
04	13111-M4Q-000		Piston pin	1	
05	94601-15000		Piston pin clip	2	



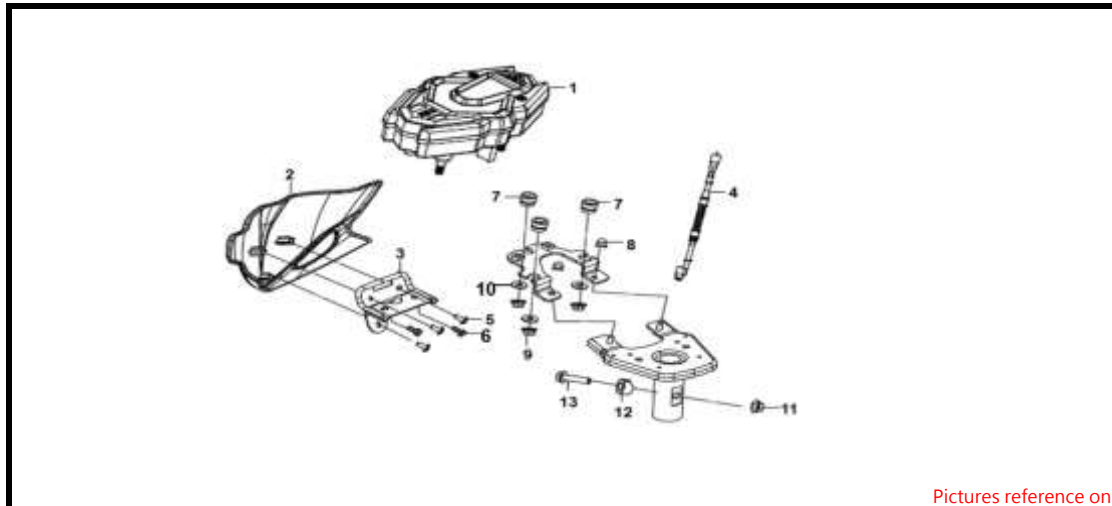
Pictures reference only

NO	PARTS NUMBER	DESCRIPTION-ZH	DESCRIPTION	QTY	EFFECTIVE DATE
01	06414-HKK-000		Fuel injector	1	
02	1640A-AC1-000		ECU set	1	
03	1711A-Z5C-010		Inlet pipe ASSY.	1	
3.1	17256-MA1-000		Insulator band	1	
04	90085-HHA-900		Self locking bolt 6*50	1	
05	96001-06050-02		SH. flange bolt 6*20	1	
06	96001-06045-00		SH. flange bolt 6*45	1	
07	17120-XJA-000		Fuel injector cap ASSY.	1	
08	17121-H6Y-000		Fuel injector cap clip	1	



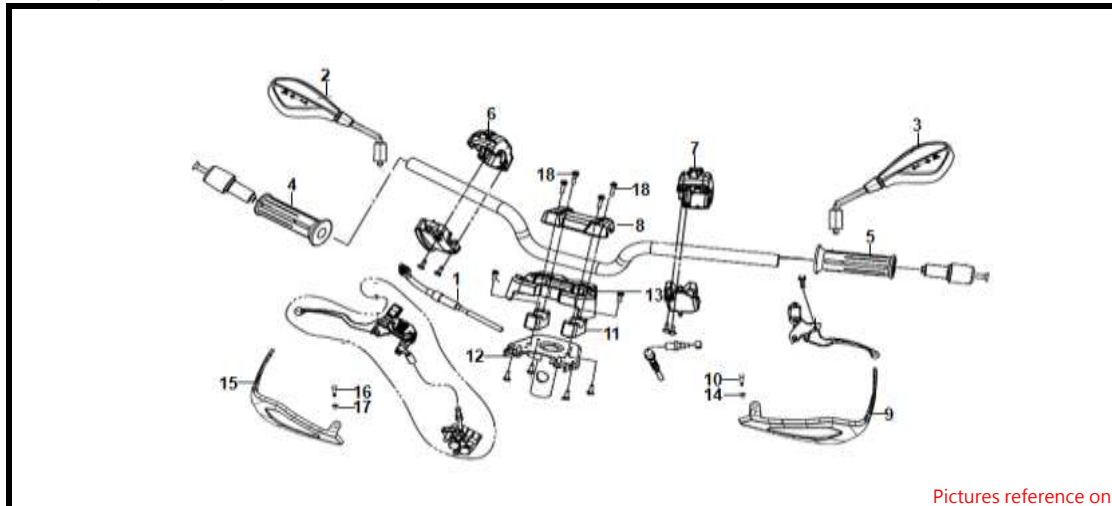
Pictures reference only

NO	PARTS NUMBER	DESCRIPTION-ZH	DESCRIPTION	QTY	EFFECTIVE DATE
01	33100-AWU-000		Head light ASSY	1	
1.1	34901-X06-000		Head light bulb	1	
1.2	33145-AWU-000		Led PCB 1	1	
1.3	33146-AWU-000		Led PCB 2	1	
02	93903-34340		Tapping screw 4*12	7	
03	33140-AWU-000		FR. position light ASS'Y	1	
04	33107-A7A-000		Head light plate	2	
05	33400-AWU-000		FR. R. winker ASS'Y	1	
06	33450-AWU-000		FR. L. winker ASS'Y	1	
07	64303-AWU-010-F1		FR. top cover(material)	1	



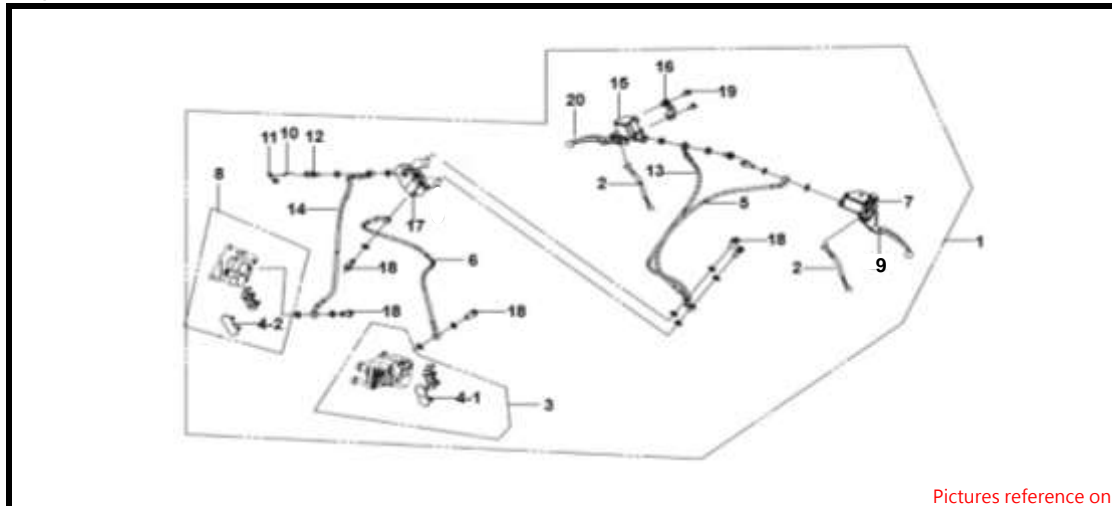
NO	PARTS NUMBER	DESCRIPTION-ZH	DESCRIPTION	QTY	EFFECTIVE DATE
01	37200-AE6-020		Speedometer ASSY	1	
01	37200-AC1-000		Speedometer ASSY	1	
01	37200-AC1-010		Speedometer ASSY	1	21/08/2020
02	53207-B9A-000		Meter visor	1	
03	53201-AWU-000		Meter visor stay	1	
04	44830-XDE-000		SPEED. sensor COMP.	1	
05	93903-35240		Tapping screw 5X12	3	
06	95801-06012-04		Flange bolt 6x12	2	
07	37001-N3G-A00		Meter cushion rubber	3	
08	90301-LEA-300		Open stay nut 6MM	2	
09	94050-06040		FLANGE NUT 6mm	3	
10	94101-06400		Plain washer 6mm	3	
11	90304-AAA-000		Flange. U nut 10mm (GREEN)	1	
12	53125-CT1C-A00		Steering stem lock collar	1	
13	90106-AAA-000		Flange bolt 10*50 (GREEN)	1	





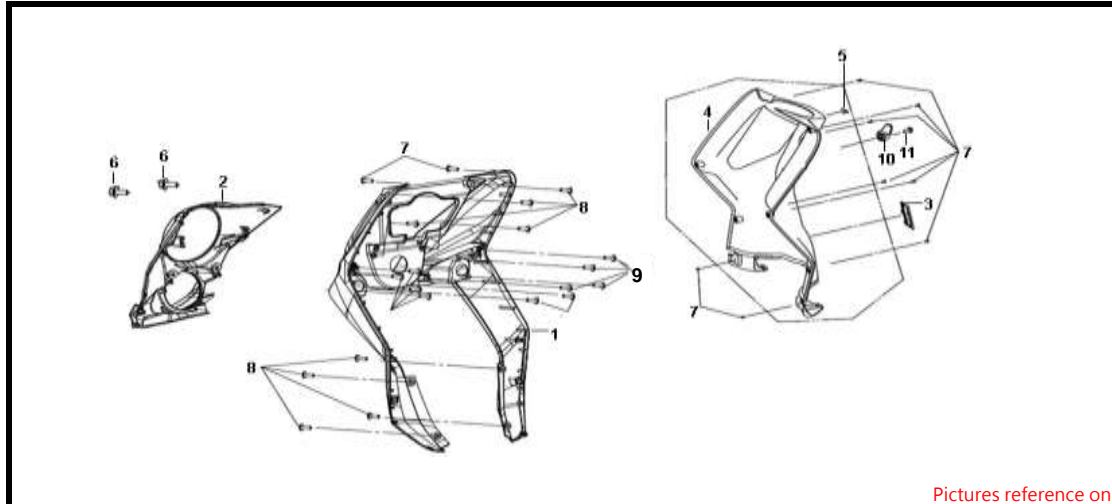
Pictures reference only

NO	PARTS NUMBER	DESCRIPTION-ZH	DESCRIPTION	QTY	EFFECTIVE DATE
01	17910-AE6-000		Throt cable COMP	1	
02	88110-Z8H-000		R. RR. back mirror	1	
03	88120-Z8H-000		L. back mirror	1	
04	53140-N7K-000		RH. HNDL. grip	1	
05	53166-N7K-000		LH. HNDL. grip	1	
06	35150-AEW-900		R. handle SW.	1	
07	35200-AEN-000		L. handle SW. UNIT	1	
08	53131-AWU-000		HNDL. pipe up. holder	1	
09	53209-AWU-000		L. LEVER COVER	1	
10	90114-N13-000		HANDLE LEVER BOLT	1	
11	53132-AWU-000		Handle pipe down hodler	2	
12	53231-AWU-003		Handle pipe holder COMP	1	
13	53205-AWU-000-F1		FR. handle cover(material)	1	
14	94101-08200		PLAIN WASHER 8MM	1	
15	53208-AWU-000		R. LEVER COVER	1	
16	90110-AWU-000		SPECIAL BOLT 6*12	1	
17	90555-T3A-A00		WASHER	1	
18	96700-06025-49		Socket bolt 6*25	4	



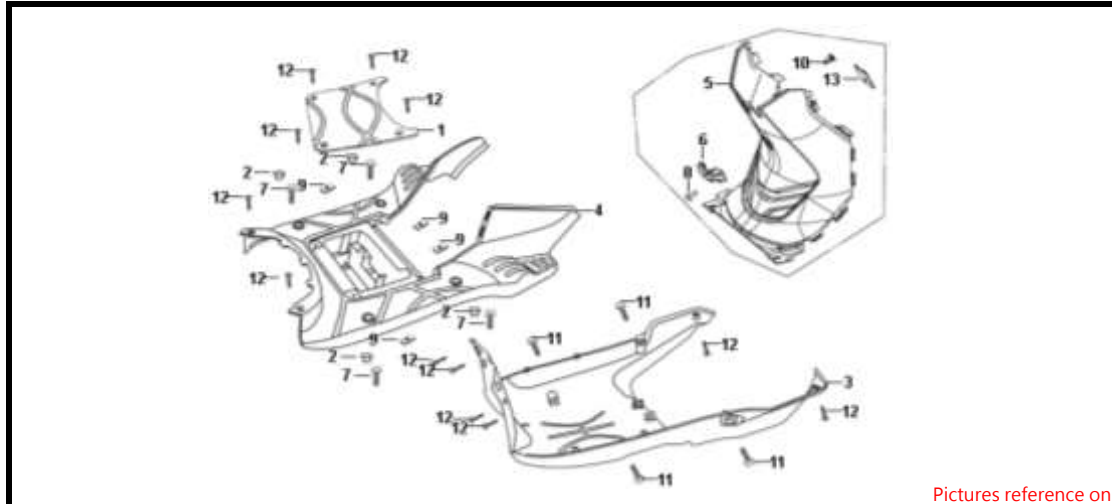
Pictures reference only

NO	PARTS NUMBER	DESCRIPTION-ZH	DESCRIPTION	QTY	EFFECTIVE DATE
01	4500A-AE4-000		Brake system ASS'Y	1	
02	35342-AE1-000		FR stop SW cord COMP.	2	
03	43100-XJA-000		RR. caliper ASSY(RED)	1	
4.1	43105-ARB-000-A		RR.Pad A/B	1	
4.2	45105-APA-000-A		FR.Pad A/B	1	
05	43124-AE4-000		RR brake hose A COMP.	1	
06	43125-AE4-000		RR brake hose B COMP.	1	
07	43500-AE1-000		RR. M/C ASSY	1	
08	45100-ATA-000		FR. caliper ASS'Y(RED)	1	
09	53178-AE1-000		L. STRG. handle lever	1	
10	45109-L4A-300		Bleeder screw	1	
11	45110-L4A-300		Bleeder cap	1	
12	4511A-LEF-000		T-fuel pipe joint ASSY	1	
13	45124-AE4-000		FR brake hose A COMP.	1	
14	45125-AE4-000		FR brake hose B COMP.	1	
15	45500-AE1-000		FR M/C ASSY	1	
16	45517-N3G-A00		M/C holder	1	
17	46300-LEA-000		CBS control valve ASSY	1	
18	90145-M9Q-000		Oil bolt 10*22	7	
19	95801-06022-07		Flange bolt 6*22	2	
20	53170-AWU-000		R. lever STRG. handle	1	



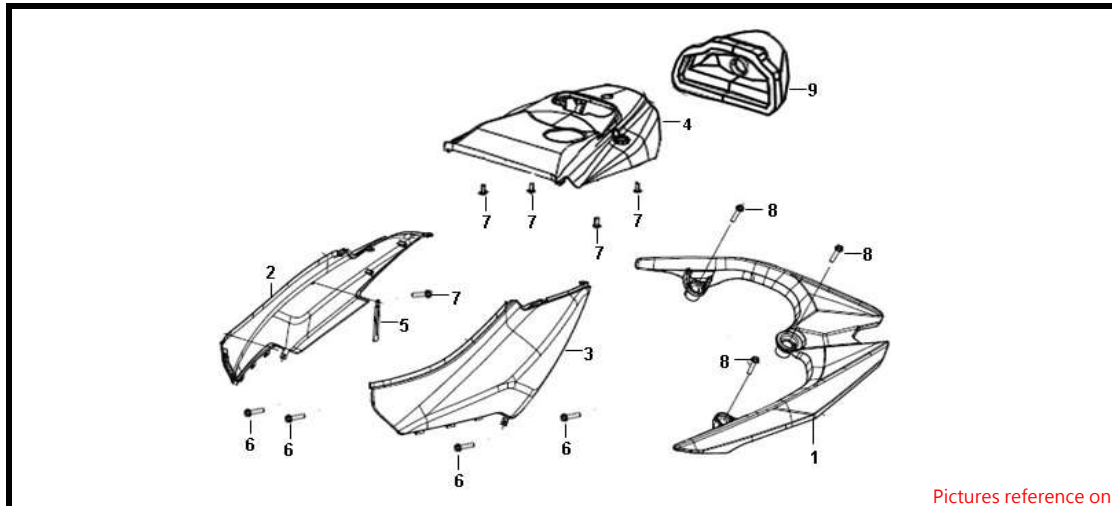
Pictures reference only

NO	PARTS NUMBER	DESCRIPTION-ZH	DESCRIPTION	QTY	EFFECTIVE DATE
01	64301-AWU-000-F1		FR cover(material)	1	
02	64302-AWU-000		FR. cover garnish	1	
03	64318-ALA-000-BK		Frame number lid(BK)	1	
04	81131-ABF-000		Inner cover	1	
05	81133-H12-000		Luggage stopper	1	
06	96700-06012-49		Flange bolt 6x12	2	
07	93903-35240		Tapping screw 5*12	16	
08	93903-45340		Tapping screw 5*16	8	
09	90109-42128		Tapping screw 4.2*12	8	
10	81132-H12-000		Luggage hook	1	
11	90164-M9Q-000		Special screw 6MM	1	



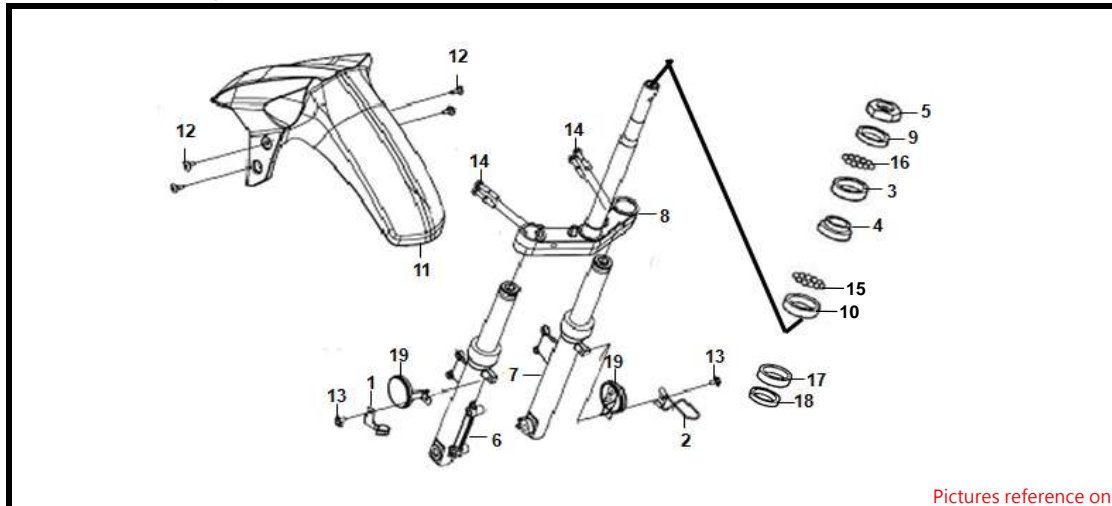
Pictures reference only

NO	PARTS NUMBER	DESCRIPTION-ZH	DESCRIPTION	QTY	EFFECTIVE DATE
01	50326-AAA-000		Battery cover	1	
02	50612-APA-000		Cap b flr step	4	
03	50613-ABF-000		Under cover	1	
04	64310-ABF-000		Floor panel	1	
05	80151-AAA-000		Center cover	1	
06	81132-H12-000		Luggage hook	1	
07	90111-AAA-000		Flange bolt 6MM	4	
08	90164-M9Q-900		SPECIAL SCREW 6MM	1	
09	90308-X04-000		Spring nut	4	
10	81133-H12-000		Luggage stopper	1	
11	93404-06016-00		Washer bolt 6X16	4	
12	90109-42168		Tapping screw 4.2X16	12	
13	77107-H12-000		Helmet hook BRKT.	1	



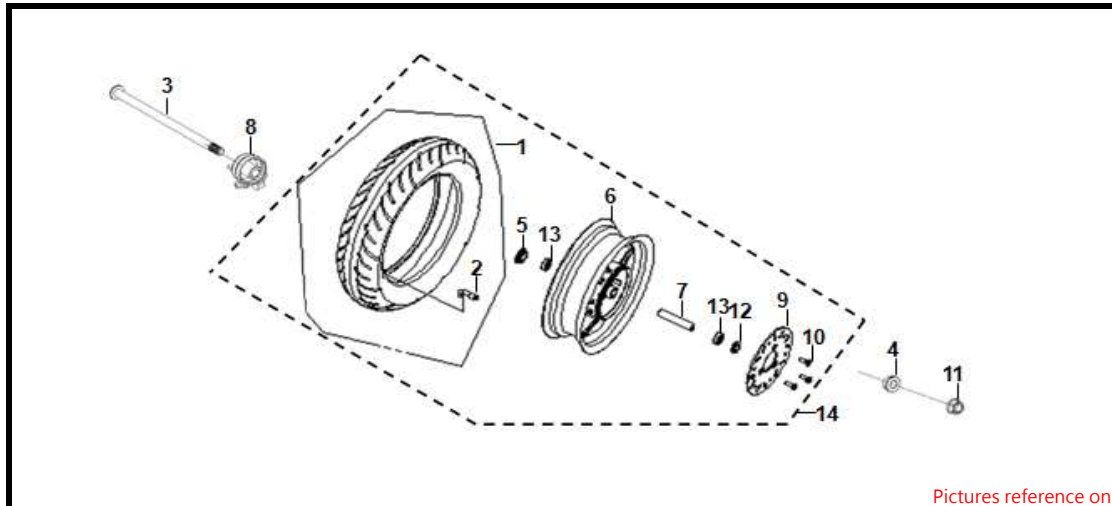
Pictures reference only

NO	PARTS NUMBER	DESCRIPTION-ZH	DESCRIPTION	QTY	EFFECTIVE DATE
01	81200-AWU-000-F1		Rear carrier ASSY(material)	1	
02	83500-AAA-000-F1		RH body cover(material)	1	
03	83600-AAA-000-F1		LH body cover(material)	1	
04	83750-AE6-000		RR. center cover	1	
05	32162-H6T-000		Clip 2*100	1	
06	93903-35240		Tapping screw 5X12	4	
07	93903-35340		Tapping screw 5x16	5	
08	90105-ANA-000		Special bolt 8MM	3	
09	33700-AEN-010		Tail light	1	
9,1	34906-ABF-000		Tail & stop bulb	1	



Pictures reference only

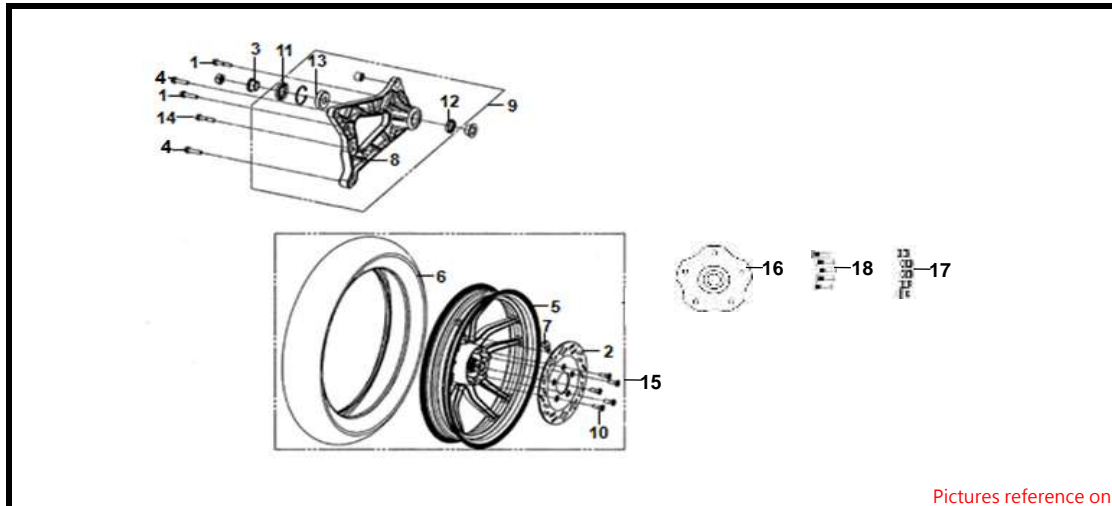
NO	PARTS NUMBER	DESCRIPTION-ZH	DESCRIPTION	QTY	EFFECTIVE DATE
01	45156-AAA-000		FR. brake cable	1	
02	45465-AAA-000		Cable guide	1	
03	50301-M9Q-000-CN2		STRG.up ball race	1	
04	50302-M9Q-000-XS		Race STRG.bot ball	1	
05	50306-M9Q-000-XS		STRG. stem lock nut	1	
06	51400-AWA-000-K-M2		R.FR. cushion(BK-001C)	1	
07	51500-AWA-000-K-M2		L.FR. cushion(BK-001C)	1	
08	53200-AAA-000		Steeting stem	1	
09	53211-M9Q-000-CN2		STRG. top cone	1	
10	53212-M9Q-000-XS		Cone STRG. bottom	1	
11	61100-AWU-000-F1		FR. Fender(material)	1	
12	90115-ABA-000		Special screw 6MM (GREEN)	4	
13	93404-06016-00		Flange bolt 6*16	2	
14	95801-08040-04		Flange bolt 8*40	4	
15	50303-AAA-000		UP steel balls and retainer ASSY	1	
16	50304-AAA-000		Lower steel balls and retainer ASSY	1	
17	53214-M9Q-000		STRG. head dust seal	1	
18	53215-M9Q-000		STRG. head dust seal washer	1	
19	33742-E4D-000		Side reflex reflctor	2	



Pictures reference only

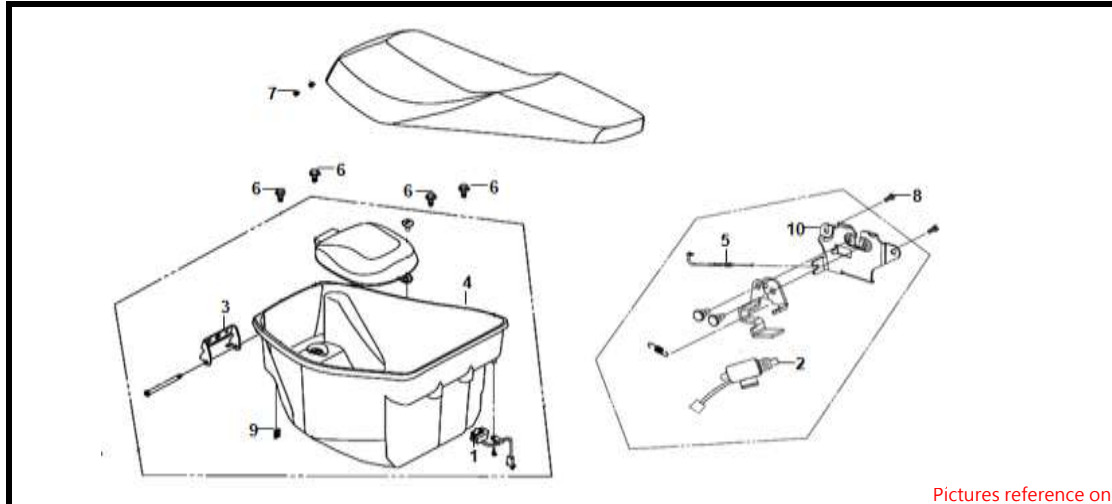
NO	PARTS NUMBER	DESCRIPTION-ZH	DESCRIPTION	QTY	EFFECTIVE DATE
01	44710-ANG-000		FR. tire ASS'Y	1	
02	42753-ABA-000		Rim valve	1	
03	44301-AAA-000		FR. wheel axle 10*172	1	
04	44311-AAA-000		Collar fr wheel side	1	
05	91258-M9Q-000		SPDMT. gear box seal	1	
06	44601-XFA-000-K		FR. cast wheel(BK-001C)	1	
07	44620-AAA-000		FR. axle dist collar	1	
08	44800-ATA-000-K		SPDMT gear box ASS'Y(BK-001C)	1	
09	45121-AWU-000-K		FR. brake disk(BK-001C)	1	
10	90106-N02-000		FR. disk bolt	3	
11	90306-N7C-000		Self-lock nut 12MM	1	
12	90754-M9Q-000-M1		Dust seal 20*32*5	1	
13	90912-M9Q-000-M1		Bearing 6201(U) (NTN)	2	
14	44600-AC1-000		FR. wheel	1	





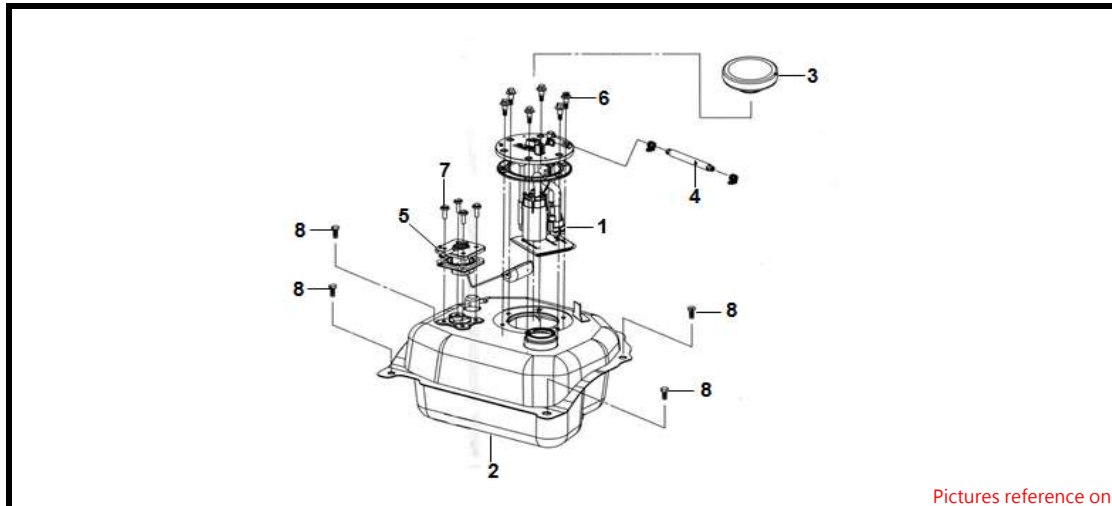
Pictures reference only

NO	PARTS NUMBER	DESCRIPTION-ZH	DESCRIPTION	QTY	EFFECTIVE DATE
01	95801-08070-04		Flange bolt 8*70	2	
02	43121-XJA-000		RR. brake disk	1	
03	42311-AE1-000		RR. axle collar	1	
04	95801-08045-07		Flange bolt 8*45	2	
05	42601-XJA-010-K		RR. cast wheel COMP(BK-001C)	1	
06	42710-ANG-000		RR. tire	1	
07	42753-ABA-000		Rim vavle	1	
08	52100-AEF-000-GY		RR. Fork(GY-096S)	1	
09	5210A-AEF-000-GY		RR. fork ASSY(GY-096S)	1	
10	90106-N02-000		RR. disk bolt 8*24	5	
11	90754-H9A-000		Dust seal 25*47*7	1	
12	90755-ARB-000		Dust seal 26*36*7	1	
13	91051-H9A-000		Ball radial bearing	1	
14	95801-08035-07		Flange bolt 8*35	1	
15	42600-AC1-000		RR WHEEL ASS'Y	1	
16	42602-XJA-000		RR. wheel hub	1	
17	90304-XJA-000		Wheel nut	5	
18	90103-KBN-900-H1		Wheel bolt	5	



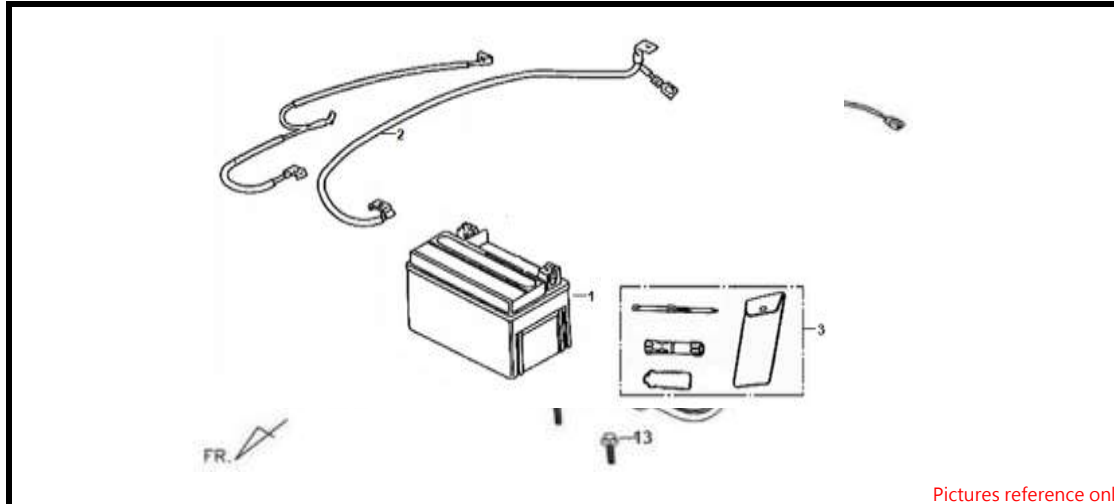
Pictures reference only

NO	PARTS NUMBER	DESCRIPTION-ZH	DESCRIPTION	QTY	EFFECTIVE DATE
01	36600-A1A-010		ENG. start control SW.	1	
02	35870-M9B-000		DC.solenoid ASS'Y	1	
03	77201-ABN-000		Seat hinge COMP	1	
04	81250-AE6-900		Luggage box	1	
05	77240-AE6-000		Seat lock cable	1	
06	90115-ATA-000		Flange bolt 6*16	4	
07	94050-06040		Flange nut 6mm	2	
08	95801-06012-04		Flange bolt 6x12	2	
09	90308-X04-000		Spring nut 4MM	1	
10	77230-U14-000		Seat catch	1	



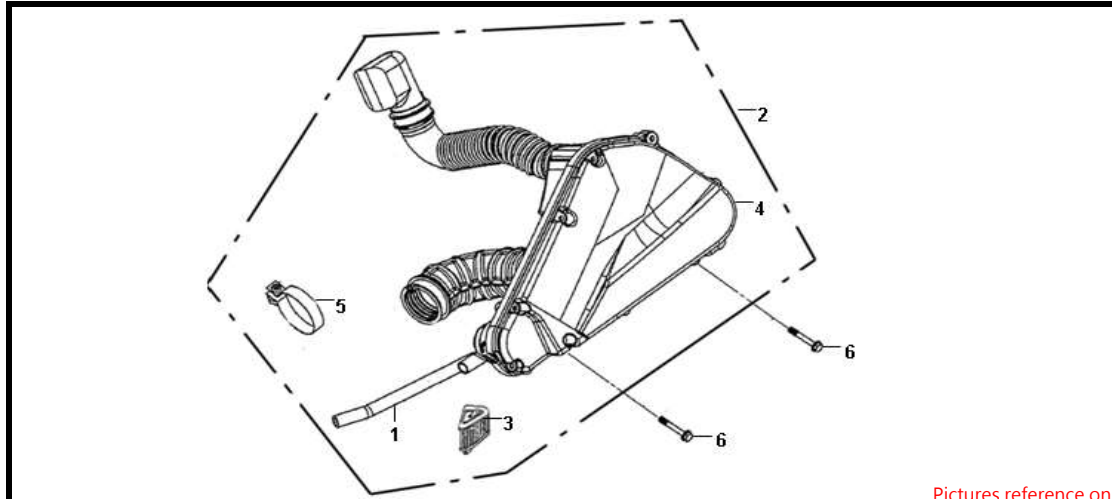
Pictures reference only

NO	PARTS NUMBER	DESCRIPTION-ZH	DESCRIPTION	QTY	EFFECTIVE DATE
01	16700-Z5C-010		Fuel pump COMP	1	
02	17500-AE6-900		Fuel tank COMP.	1	
03	17620-CT1C-900		Fuel filler cap COMP.	1	
04	17682-AE6-000		Fuel tube	1	
05	37800-AE6-000		Fuel unit ASSY	1	
06	90116-Z5C-000		Fuel pump. bolt	6	
07	9011A-N13-000		Flange screw 5*16	4	
08	95801-06012-08		Flange bolt 6x12	4	



Pictures reference only

NO	PARTS NUMBER	DESCRIPTION-ZH	DESCRIPTION	QTY	EFFECTIVE DATE
01	31500-F7T-000-XAL		Battery ASSY	1	
02	32411-ABA-000		Battery cable	1	
03	89010-V1F-000		Tool set	1	

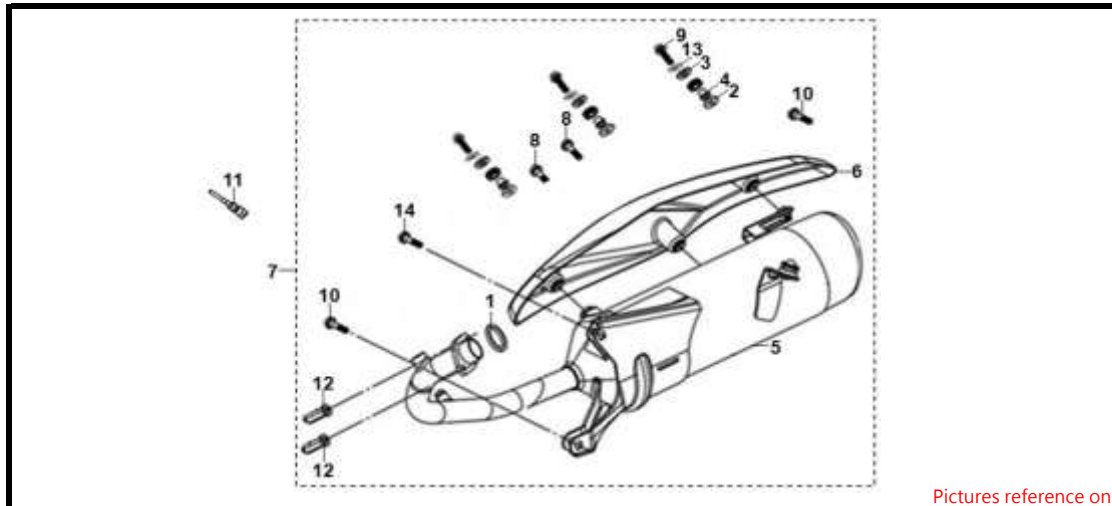


Pictures reference only

NO	PARTS NUMBER	DESCRIPTION-ZH	DESCRIPTION	QTY	EFFECTIVE DATE
01	11211-AE6-000		Breather tube	1	
02	17200-Z5C-000		AIR cleaner ASSY.	1	
03	17211-M9Q-000		AIR/C element COMP.	1	
04	17231-ABA-010		AIR/C cover COMP.	1	
05	90652-M8Q-000		AIR/C conn tube band 40MM	1	
06	93404-06016-00		Flange bolt 6*16	2	

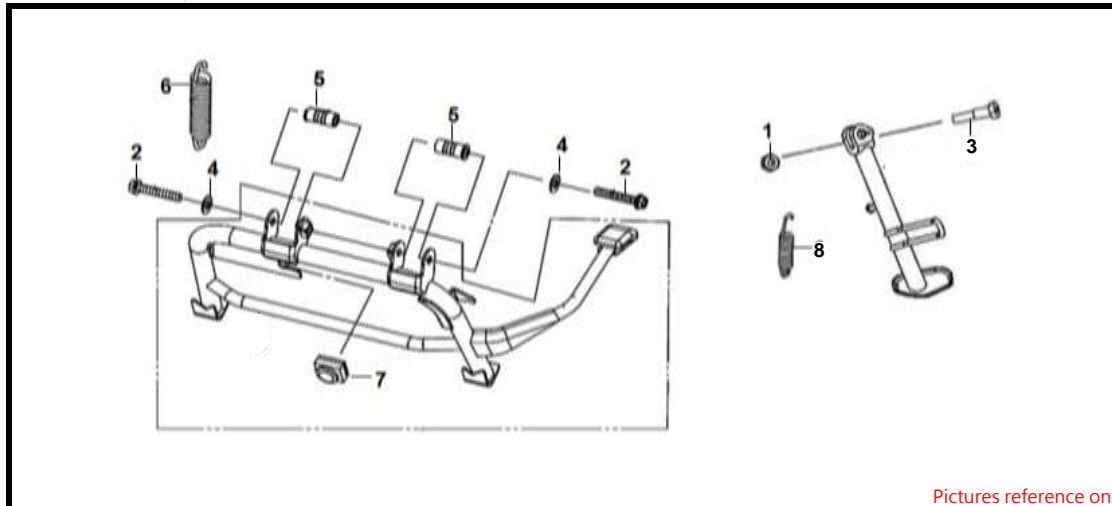
F15  
EXHAUST MUFFLER

AE18W1-COC( AC1/CROX 180i )



Pictures reference only

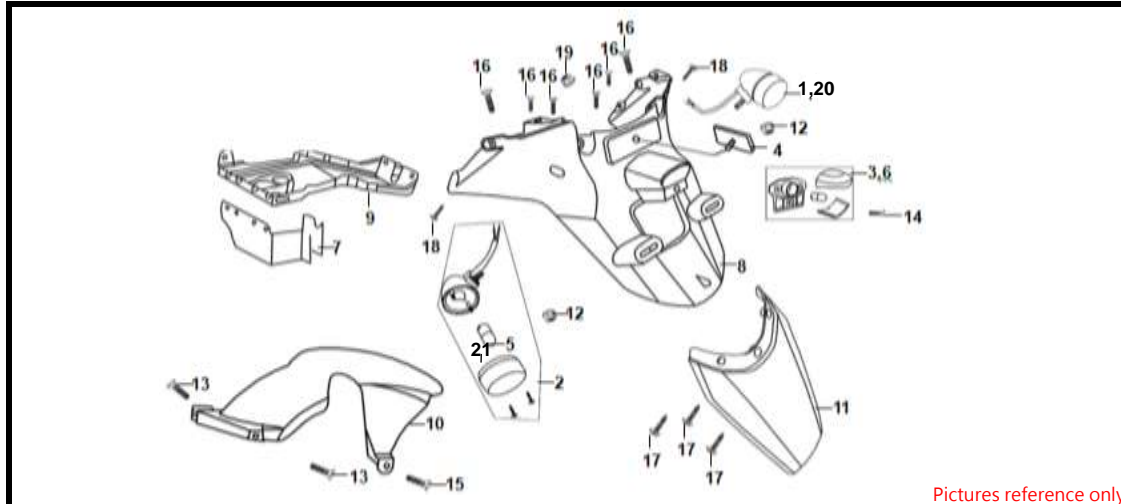
NO	PARTS NUMBER	DESCRIPTION-ZH	DESCRIPTION	QTY	EFFECTIVE DATE
01	18291-M9Q-000-CN1-M1		EXH. pipe gasket	1	
01	18291-Z8G-000		EXH. pipe gasket	1	01/12/2017
02	18292-F3E-000		Protector packing A	3	
03	18293-F7S-000		Protector packing	3	
04	18295-F3E-000		Collar M6	3	
05	18300-AC1-000		EXH. muffler COMP	1	
06	18318-HE1-000		Muffler protector COMP.	1	
06	18318-AE6-000		Muffler protector COMP.	1	01/08/2019
07	18000-AC1-000		EXH muffler ASSY	1	
08	93903-25280		Tapping screw 5x12	2	
09	96001-06022-49		Bolt6*22	3	
10	95801-Z5D-000		FLANGE BOLT8*65	2	
11	3789A-F8A-000		O2 sensor ASSY.	1	
12	90043-HMA-900		Cap nut	2	
12	90043-XB1-000		Cap nut	2	01/12/2017
13	90555-AMA-000		Washer	3	
14	95801-Z5C-000		FLANGE BOLT8*35	1	
14	95801-X81-000		FLANGE BOLT8*40	1	21/05/2018



Pictures reference only

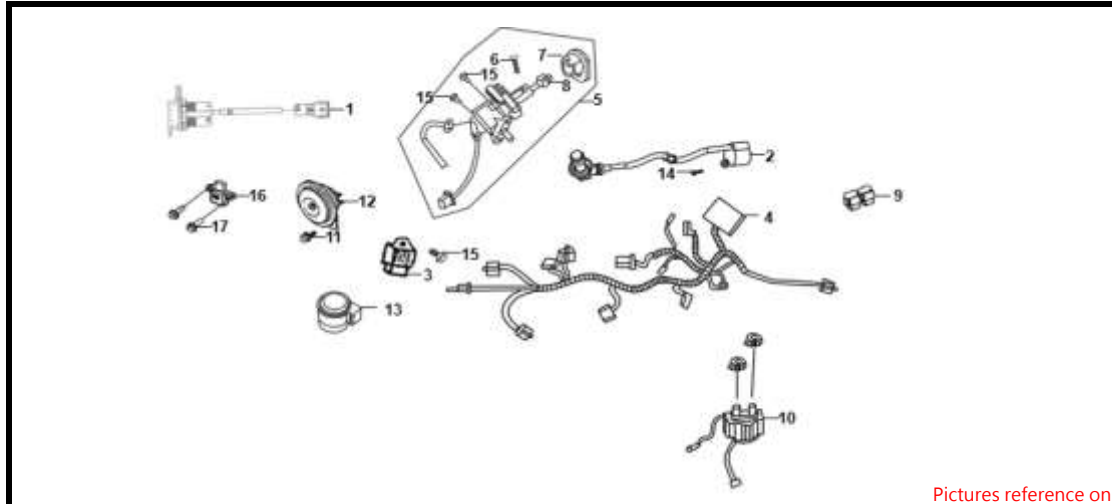
NO	PARTS NUMBER	DESCRIPTION-ZH	DESCRIPTION	QTY	EFFECTIVE DATE
01	95801-08050-04		Flange bolt 8X50	1	
01	95701-06022-07		Flange bolt 6*22	2	
02	90108-AAG-000		Side stand pivot screw	1	
03	50503-F6B-000		Main stand washer	2	
04	50504-Z6A-000		Main stand collar	2	
05	5052A-APA-900		Main stand SPG. ASSY (GREEN)	1	
06	50506-ABA-000		Stand stop rubber A	1	
07	50533-Z7C-000		Side stand SPG. ASSY	1	





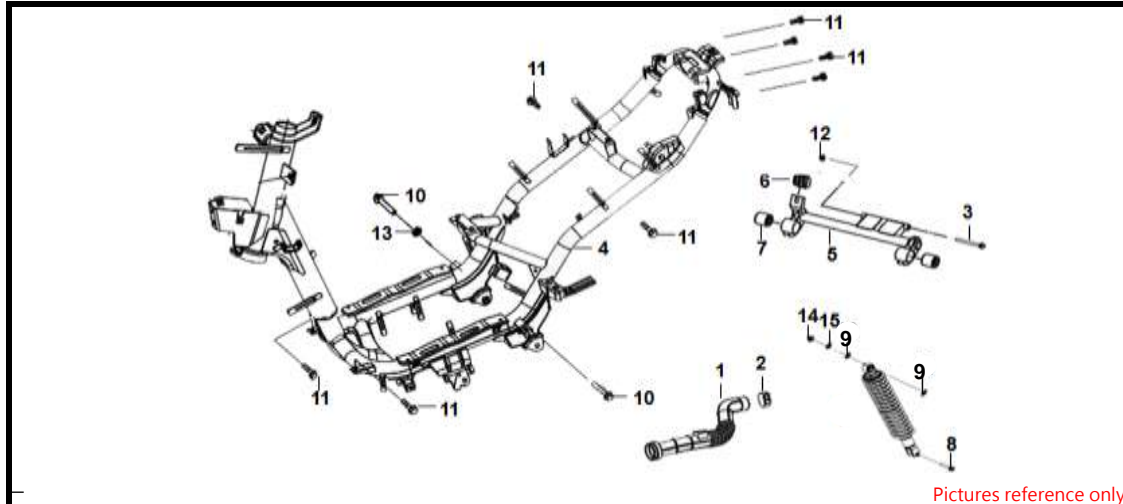
Pictures reference only

NO	PARTS NUMBER	DESCRIPTION-ZH	DESCRIPTION	QTY	EFFECTIVE DATE
01	33600-AWU-000		RR R winker ASSY	1	
02	33650-AWU-000		RR L winker ASSY	1	
03	33740-Z6A-000		License light ASSY	1	
04	33741-N7B-E10		RR. reflex reflector	1	
05	34905-A8D-000		Winker bulb	2	
06	34908-M70-000		Poition bulb	1	
07	80104-ABA-000		Splash board plate	1	
08	80105-ABA-000		RR. fender	1	
09	80106-AE1-000		RR. inner fender	1	
10	80107-AWR-000		RR. mudguard	1	
11	80110-AE3-000		RR. fendder mudguard	1	
12	94050-05080		Flange nut 5MM	2	
13	90111-M9Q-800		Flange bolt 6MM	2	
14	93891-05010-00		Washer screw 5X14	1	
15	95801-06012-04		Flange bolt 6x12	1	
16	90109-42168		Tapping screw	10	
17	93903-35280		Tapping screw 5X12	3	
18	90109-48168		Tapping screw 4X12	2	
19	94050-05070		Flange nut 5MM	1	
20	33602-U3A-000		RR. R. winker lens	1	
21	33652-U3A-000		RR L. winker lens	1	



Pictures reference only

NO	PARTS NUMBER	DESCRIPTION-ZH	DESCRIPTION	QTY	EFFECTIVE DATE
01	38650-XGA-000		USB CHARGE UNIT	1	
02	3051A-F6T-000		IGN. COIL. ASSY	1	
03	31600-M56-000		REG. REC. COMP	1	
04	32100-AE6-000		Wire harness	1	
05	35010-AE6-000		Key set	1	
06	93891-05018-04		Screw washer 5X18	1	
07	35114-ALA-000		Cap	1	
08	35111-T3D-100		Key	1	
09	3850A-HLA-010-A2-TW		ELEC. relay ASSY	2	
10	3585A-35A-A00		MAG. SW. COMP	1	
11	95801-08012-04		Flange bolt 8X12	1	
12	38100-N7B-E10		Horn COMP	1	
13	38300-T40-010		Ap winker relay ASSY	1	
14	90112-AAA-000		Flange bolt 5X22	1	
15	95801-06016-04		Flange bolt 6X16	3	
16	36100-Z5C-000		ROLL OVER SENSOR ASSY	1	
17	95801-05014-08		FLANGE BOLT 5*14	2	



Pictures reference only

NO	PARTS NUMBER	DESCRIPTION-ZH	DESCRIPTION	QTY	EFFECTIVE DATE
01	11345-ABA-000		L. cover duct	1	
02	11346-ABA-000		L. cover duct band	1	
03	90105-ARA-000		Flange bolt10*191	1	
04	50100-AE7-000		Frame body COMP.	1	
05	50351-ANA-010		Eng hanger link	1	
06	50352-A1A-000		Link stopper. rubber	1	
07	50353-M9Q-000		Swing lock bush	2	
08	95801-08035-04		Flange bolt 8*35	1	
09	94101-12400		Plain washer 12MM	2	
10	90106-ABA-000		Flange bolt 10*55(green)	2	
11	95801-06012-04		Flange bolt 6x12	8	
12	90304-AAA-000		Flange. u nut 10mm (GREEN)	1	
13	90121-M9Q-900		Distance collar	1	
14	94050-10040		Flange nut 10mm	1	
15	94101-10400		Plain washer 10mm	1	

MODEL:AE18W1-COC PARTS NO. INDEX 2017.9

PARTS NO.	NO.	PARTS NO.	NO.	PARTS NO.	NO.
06414-HKK-000	E14	14510-F8A-000	E03	19613-GY6-900	E01
11100-ARA-000	E04	14520-GY6-901	E05	1961A-ANL-000	E01
11102-M9Q-300	E04	14523-GY6-900-KD	E05	1962A-ANL-000	E01
11102-M9Q-300	E12	14531-M9Q-000	E12	1963A-ANL-000	E01
11192-ARA-000	E12	14610-F8A-000	E03	1B01XJA01	E09
11200-ANA-010	E12	14711-F8A-000	E02	1C14401-M92-000-M2	E03
11203-M9Q-300	E12	14721-F8A-000	E02	21200-A6A-000	E11
11211-AE6-000	F14	14751-ARA-000	E02	21395-Z2D-000	E11
11221-ABA-000	E11	14771-F6C-A00	E02	22101-M9Q-000	E10
11225-ABA-000	E12	14781-A01-A00	E02	22102-M92-000	E09
11331-ARB-000	E06	15100-F6C-000-XS	E04	22105-M92-000	E09
11341-Z5D-020-K1	E08	15133-F6C-000	E04	22110-H5B-000	E09
11342-ANA-000	E08	15421-H66-000	E06	2211A-AEN-000	E09
11343-ANA-000	E08	15426-M9Q-000	E06	22121-AEN-000-A	E09
11345-ABA-000	F19	1565A-F6A-000	E06	22131-M92-000	E09
11346-ABA-000	F19	15711-M92-000	E04	22132-ARA-000-A	E09
11382-AE1-000	E08	16201-ANL-010	E02	22350-HKE-000	E10
11394-F6C-000	E06	16211-ANL-010	E02	22530-F6C-000	E10
11395-ANA-000	E08	1640A-AC1-000	E14	2301A-F6C-000	E10
12100-XJA-010	E05	16700-Z5C-010	F12	23411-ANA-000	E11
12191-F6C-000	E05	1711A-Z5C-010	E14	23420-Z7P-010-M1	E11
12209-H6B-900	E02	17120-XJA-000	E14	23431-AR1-000	E11
1220C-XJA-000	E02	17121-H6Y-000	E14	23432-AR1-000	E11
12251-XJA-000	E02	17200-Z5C-000	F14	28101-GY6-900	E04
12308-F6C-000	E02	17211-M9Q-000	F14	28102-GY6-900	E04
12310-A61-000	E02	17231-ABA-010	F14	28110-VVC-000	E04
12361-M9Q-000	E06	17256-MA1-000	E14	28120-M9Q-000	E04
13000-XJA-000	E13	17500-AE6-900	F12	28124-XJA-000	E04
13010-VVC-000	E13	17620-CT1C-900	F12	28125-XJA-000	E04
13101-XJA-000	E13	17682-AE6-000	F12	28126-M9Q-000	E04
13111-M4Q-000	E13	17910-AE6-000	F03	2812A-XJA-000	E04
14100-XJA-010	E03	18241-AEF-000	E01	3051A-F6T-000	F18
14105-F6A-000	E03	18291-M9Q-000-CN1-M1	F15	31110-Z5C-010	E07
14439-F62-010	E02	18292-F3E-000	F15	31120-Z5C-010	E07
14439-XJA-000	E02	18293-F7S-000	F15	31200-F6C-000	E12
1443A-ANL-000	E02	18295-F3E-000	F15	31500-F7T-000-XAL	F13
1443A-ANL-000	E02	18318-HE1-000	F15	31600-M56-000	F18
14451-ANL-000	E02	19510-H69-000	E07	32100-AE6-000	F18
14452-ANL-000	E02			32162-H6T-000	F07
14457-ANL-000	E03			32411-ABA-000	F13

MODEL:AE18W1-COC PARTS NO. INDEX 2017.9

PARTS NO.	NO.	PARTS NO.	NO.	PARTS NO.	NO.
32961-ARA-000	E06	42600-AC1-000	F10	50326-AAA-000	F06
33100-AWU-000	F01	42601-XJA-010-K	F10	50351-ANA-010	F19
33107-A7A-000	F01	42602-XJA-000	F10	50352-A1A-000	F19
33140-AWU-000	F01	42710-ANG-000	F10	50353-M9Q-000	F19
33145-AWU-000	F01	42753-ABA-000	F09	50503-F6B-000	F16
33146-AWU-000	F01	42753-ABA-000	F10	50504-Z6A-000	F16
33400-AWU-000	F01	43100-XJA-000	F04	50506-ABA-000	F16
33450-AWU-000	F01	43105-ARB-000-A	F04	5052A-APA-900	F16
33600-AWU-000	F17	43121-XJA-000	F10	50533-Z7C-000	F16
33602-U3A-000	F17	43124-AE4-000	F04	50612-APA-000	F06
33650-AWU-000	F17	43125-AE4-000	F04	50613-ABF-000	F06
33652-U3A-000	F17	43500-AE1-000	F04	51400-AWA-000-K-M2	F08
33700-AEN-010	F07	44301-AAA-000	F09	51500-AWA-000-K-M2	F08
33740-Z6A-000	F17	44311-AAA-000	F09	52100-AEF-000-GY	F10
33741-N7B-E10	F17	44600-AC1-000	F09	5210A-AEF-000-GY	F10
33742-E4D-000	F08	44601-XFA-000-K	F09	53125-CT1C-A00	F02
34901-X06-000	F01	44620-AAA-000	F09	53131-AWU-000	F03
34905-A8D-000	F17	44710-ANG-000	F09	53132-AWU-000	F03
34906-ABF-000	F07	44800-ATA-000-K	F09	53140-N7K-000	F03
34908-M70-000	F17	44830-XDE-000	F02	53166-N7K-000	F03
35010-AE6-000	F18	4500A-AE4-000	F04	53170-AWU-000	F04
35111-T3D-100	F18	45100-ATA-000	F04	53178-AE1-000	F04
35114-ALA-000	F18	45105-APA-000-A	F04	53200-AAA-000	F08
35150-AEW-900	F03	45109-L4A-300	F04	53201-AWU-000	F02
35200-AEN-000	F03	45110-L4A-300	F04	53205-AWU-000-F1	F03
35342-AE1-000	F04	4511A-LEF-000	F04	53207-B9A-000	F02
3585A-35A-A00	F18	45121-AWU-000-K	F09	53208-AWU-000	F03
35870-M9B-000	F11	45124-AE4-000	F04	53209-AWU-000	F03
36100-Z5C-000	F18	45125-AE4-000	F04	53211-M9Q-000-CN2	F08
36600-A1A-010	F11	45156-AAA-000	F08	53212-M9Q-000-XS	F08
37001-N3G-A00	F02	45465-AAA-000	F08	53214-M9Q-000	F08
37200-AE6-020	F02	45500-AE1-000	F04	53215-M9Q-000	F08
37800-AE6-000	F12	45517-N3G-A00	F04	53231-AWU-003	F03
37880-Z5C-000-M1	E02	46300-LEA-000	F04	61100-AWU-000-F1	F08
3789A-F8A-000	F15	50100-AE7-000	F19	64301-AWU-000-F1	F05
38100-N7B-E10	F18	50301-M9Q-000-CN2	F08	64302-AWU-000	F05
38300-T40-010	F18	50302-M9Q-000-XS	F08	64303-AWU-010-F1	F01
3850A-HLA-010-A2-TW	F18	50303-AAA-000	F08	64310-ABF-000	F06
38650-XGA-000	F18	50304-AAA-000	F08	64318-ALA-000-BK	F05
42311-AE1-000	F10	50306-M9Q-000-XS	F08	77107-H12-000	F06

MODEL:AE18W1-COC PARTS NO. INDEX 2017.9

PARTS NO.	NO.	PARTS NO.	NO.	PARTS NO.	NO.
77201-ABN-000	F11	90108-AAG-000	F16	90754-M9Q-000-M1	F09
77230-U14-000	F11	90109-42128	F05	90755-ARB-000	F10
77240-AE6-000	F11	90109-42168	F06	90912-M9Q-000-M1	F09
80104-ABA-000	F17	90109-42168	F17	91003-M8Q-000	E11
80105-ABA-000	F17	90109-48168	F17	91051-H9A-000	F10
80106-AE1-000	F17	90110-AWU-000	F03	91104-KN7-670-M1	E11
80107-AWR-000	F17	90111-AAA-000	F06	91104-M9Q-000-M3	E04
80110-AE3-000	F17	90111-M9Q-800	F17	91105-VUA-010	E04
80151-AAA-000	F06	90112-AAA-000	F18	91201-M9Q-300-M2	E04
81131-ABF-000	F05	90114-N13-000	F03	91202-KJ9-003-M1	E09
81132-H12-000	F05	90115-ABA-000	F08	91202-KJ9-003-M1	E11
81132-H12-000	F06	90115-ATA-000	F11	91203-A6A-000	E11
81133-H12-000	F05	90116-Z5C-000	F12	91258-M9Q-000	F09
81133-H12-000	F06	9011A-N13-000	F12	91302-M9T-000	E06
81200-AWU-000-F1	F07	90121-M9Q-900	F19	91304-M9Q-000	E12
81250-AE6-900	F11	90145-M9Q-000	F04	91306-GY6-A00	E05
83500-AAA-000-F1	F07	90164-M9Q-000	F05	92101-05012-0A	E07
83600-AAA-000-F1	F07	90164-M9Q-900	F06	92800-12000	E12
83750-AE6-000	F07	90201-GY6-900	E04	93404-06016-00	F06
88110-Z8H-000	F03	90301-LEA-300	F02	93404-06016-00	F08
88120-Z8H-000	F03	90304-AAA-000	F02	93404-06016-00	F14
89010-V1F-000	F13	90304-AAA-000	F19	93600-06025-0H	E04
90001-M9Q-000	E05	90304-XJA-000	F10	93891-05010-00	F17
90002-XJA-000	E04	90306-N7C-000	F09	93891-05018-04	F18
90005-KW1-900-G1	E05	90308-X04-000	F06	93903-25280	F15
90031-107-010	E05	90308-X04-000	F11	93903-25380	E01
90032-A6A-000	E05	90401-ANL-000	E11	93903-34180	E02
90033-M92-000	E02	90403-M92-000	E04	93903-34340	F01
90034-HMA-000	E02	90440-166-000	E07	93903-34380	E01
90043-HMA-900	F15	90440-166-000	E09	93903-35240	F02
90083-B12-000	E03	90442-028-000	E02	93903-35240	F05
90085-HHA-900	E14	90474-333-000-KD	E12	93903-35240	F07
90103-KBN-900-H1	F10	90555-AMA-000	F15	93903-35280	F17
90103-KN8-000	E12	90555-T3A-A00	F03	93903-35340	F07
90105-ANA-000	F07	90602-N01-000	E04	93903-45340	F05
90105-ARA-000	F19	90652-M8Q-000	F14	93904-35380	E01
90106-AAA-000	F02	90703-M8Q-000	E05	94050-05070	F17
90106-ABA-000	F19	90703-M8Q-000	E11	94050-05080	F17
90106-N02-000	F09	90703-M8Q-000	E12	94050-06040	F02
90106-N02-000	F10	90754-H9A-000	F10	94050-06040	F11

MODEL:AE18W1-COC PARTS NO. INDEX 2017.9

PARTS NO.	NO.	PARTS NO.	NO.	PARTS NO.	NO.
94050-08080	E02	96001-06016-08	E12		
94050-10040	F19	96001-06018-08	E07		
94050-12000	E07	96001-06020-00	E07		
94050-12000	E09	96001-06022-49	F15		
94050-12000	E10	96001-06025-08	E01		
94101-06400	F02	96001-06028-08	E07		
94101-08200	F03	96001-06030-00	E08		
94101-10400	F19	96001-06030-08	E06		
94101-12400	F19	96001-06045-00	E14		
94109-12000	E12	96001-06045-08	E04		
94301-08140	E06	96001-06050-02	E14		
94301-08140	E12	96001-06055-08	E04		
94510-25000	E11	96001-06095-08	E02		
94591-28000	E01	96001-06095-08	E06		
94591-28000	E12	96001-06100-08	E06		
94601-15000	E13	96100-62033-10	E11		
95701-06022-07	F16	96100-63013-00	E11		
95701-08055-00	E12	96150-62050-10	E11		
95701-08060-00	E12	96700-06012-49	F05		
95701-08065-00	E12	96700-06025-49	F03		
95701-08068-00	E12	98056-57718-TW	E02		
95801-05014-08	F18				
95801-06012-04	F02				
95801-06012-04	F11	ADD			
95801-06012-04	F17	18291-Z8G-000	F15		
95801-06012-04	F19	18300-AC1-000	F15		
95801-06012-08	F12	18318-AE6-000	F15		
95801-06016-04	F18	18000-AC1-000	F15		
95801-06022-07	F04	90043-XB1-000	F15		
95801-08012-04	F18	95801-Z5C-000	F15		
95801-08035-04	F19	95801-X81-000	F15		
95801-08035-07	F10	93903-34120	E02		
95801-08040-04	F08				
95801-08045-07	F10				
95801-08050-04	F16				
95801-08070-04	F10				
95801-Z5D-000	F15				
96001-06012-00	E12				
96001-06012-08	E03				
96001-06012-08	E04				