



CATALOGO DE PARTES
SYM CROXR125

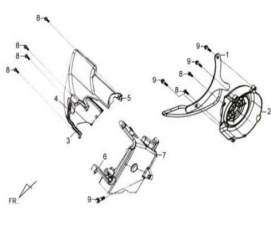
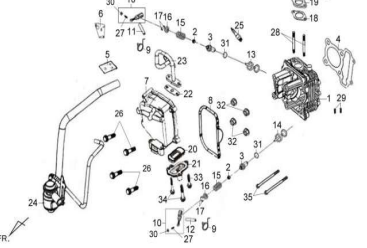
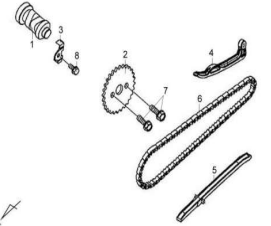
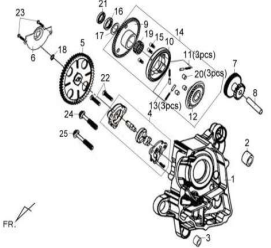
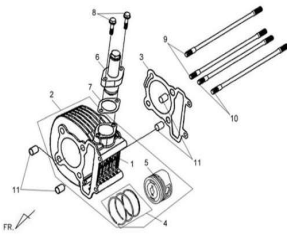
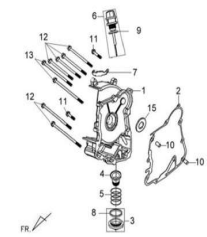
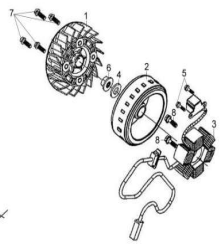
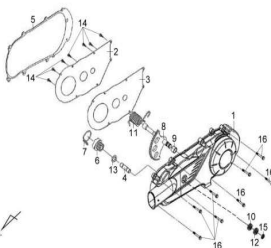
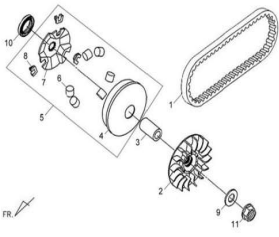
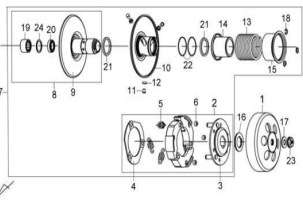
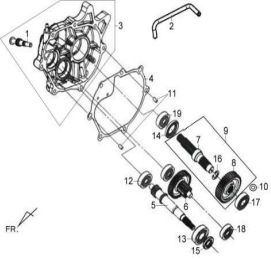
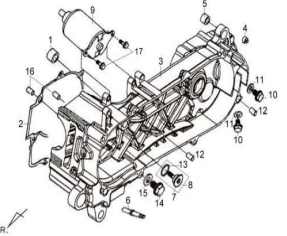
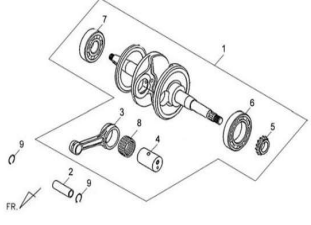
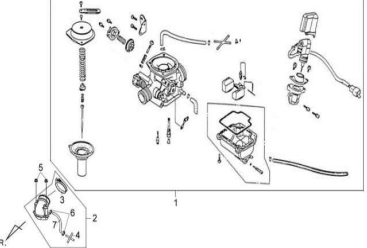
AE12W9



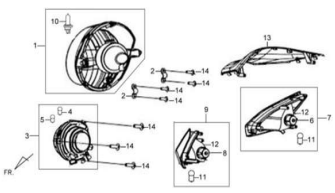
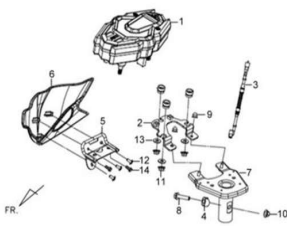
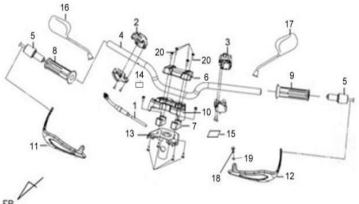
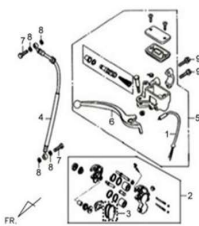
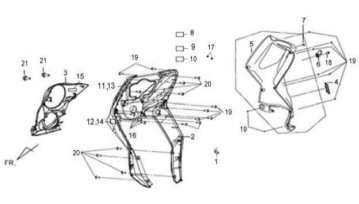
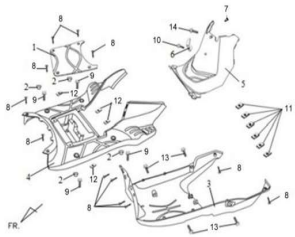
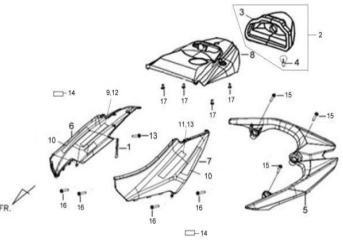
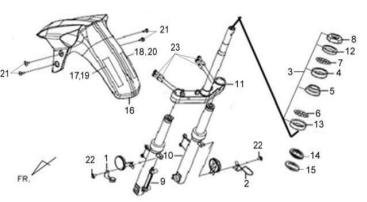
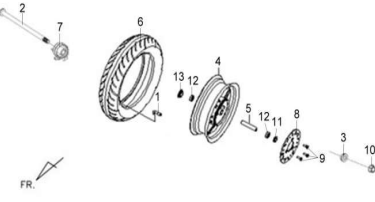
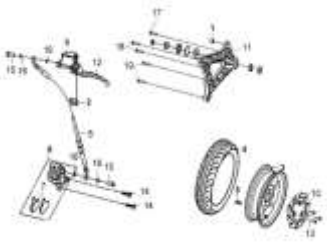
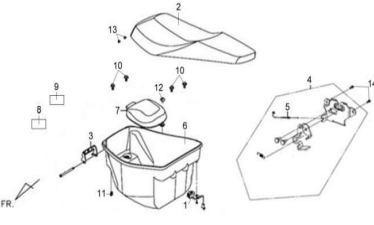
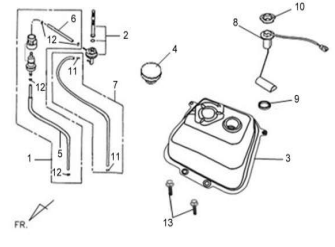
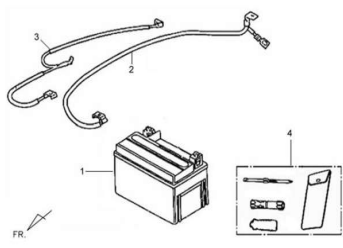
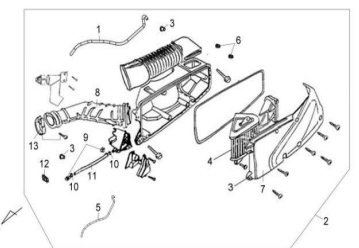
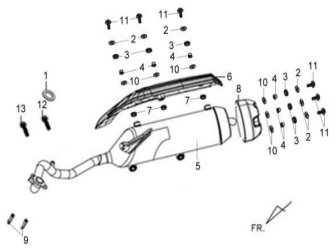
LO QUE TE MUEVE

N O	MODEL	AE12W9-CO(CROX 125R)			
	DATE	2014/09	2014/09	2014/09	
	BASIC COLOR	BUAE	KC	WD	
	COLOR CODE	BU-300S/GY-7450U	BK-007U	WH-8018P	
	Description	Parts Number	BLUE/GRAY	BLACK	WHITE
1.00	L. SIDE COVER COMP	11341-ANA-000	K1	K1	K1
2.00	FR. WHEEL RIM COMP	44601-XFA-000	K	K	K
3.00	RR.CAST WHEEL	42601-XJA-000	K	K	K
4.00	R.FR.CUSHION	51400-AWA-000	●	●	●
5.00	L.FR.CUSHION ASSY	51500-AWA-000	●	●	●
6.00	FR.HANDLE COVER GY-7450U	53205-AWU-000	AE	KC	WD
7.00	HANDLE MARK	87170-AEL-000	●	●	●
8.00	FR FENDER	61100-AWU-000	AE	KC	WD
9.00	FR.FENDER R. STRIPE	87125-AWU-000	T2	N/A	N/A
10.00	FR.FENDER L. STRIPE	87126-AWU-000	T2	N/A	N/A
11.00	FR.FENDER R. STRIPE	87131-AE1-000	N/A	T1	T2
12.00	FR.FENDER L. STRIPE	87132-AE1-000	N/A	T1	T2
13.00	METER VISOR A	53207-B9A-000	BU	KC	WD
14.00	RR.CUSHION	52400-AWR-000	K	K	K
15.00	FR.COVER	64301-AWU-000	BU	KC	WD
16.00	FR. COVER R. STRIPE	87123-AWU-000	T2	N/A	N/A
17.00	FR. COVER R. STRIPE	87124-AWU-000	T2	N/A	N/A
18.00	FR. COVER L. STRIPE A	87123-AE1-000	N/A	T1	T2
19.00	FR. COVER R. STRIPE	87131-AER-000	T2	N/A	N/A
20.00	FR. COVER L. STRIPE	87132-AER-000	T2	N/A	N/A
21.00	FR.COVER R. STRIPE B	87133-AER-000	N/A	T1	T2
22.00	FR.COVER L. STRIPE B	87134-AER-000	N/A	T1	T2
23.00	SYM STRIPE	87170-AKA-A00	T1	T1	T2
24.00	FR. COVER EMBLEM	64302-AWU-000	●	●	●
25.00	FR. TOP COVER	64303-AWU-000	AE	KC	WD
26.00	DOUBLE SEAT COMP	77200-AWU-800	T1	T1	T1
27.00	RR.CARRIER	81200-AWU-000	K1	K1	WA
28.00	R. BODY COVER	83500-AAA-000	BU	KC	WD
29.00	BODY COVER EMBLEM	87128-AEN-000	N/A	●	●
30.00	R.BODY COVER STRIPE	87127-AWU-000	T2	N/A	N/A
31.00	R.BODY COVER STRIPE B	87129-AWU-000	T2	N/A	N/A
32.00	L. BODY COVER	83600-AAA-000	BU	KC	WD
33.00	BODY COVER EMBLEM	87128-AEN-000	N/A	●	●
34.00	L.BODY COVER STRIPE	87128-AWU-000	T2	N/A	N/A
35.00	L.BODY COVER STRIPE B	87130-AWU-000	T2	N/A	N/A
36.00	SYM STRIPE	87170-ATA-000	●	●	●
37.00	R. BACK MIRROR	88110-Z8H-000	●	●	●
38.00	L. BACK MIRROR	88120-Z8H-000	●	●	●

CONTENTS-ENGINE GROUP

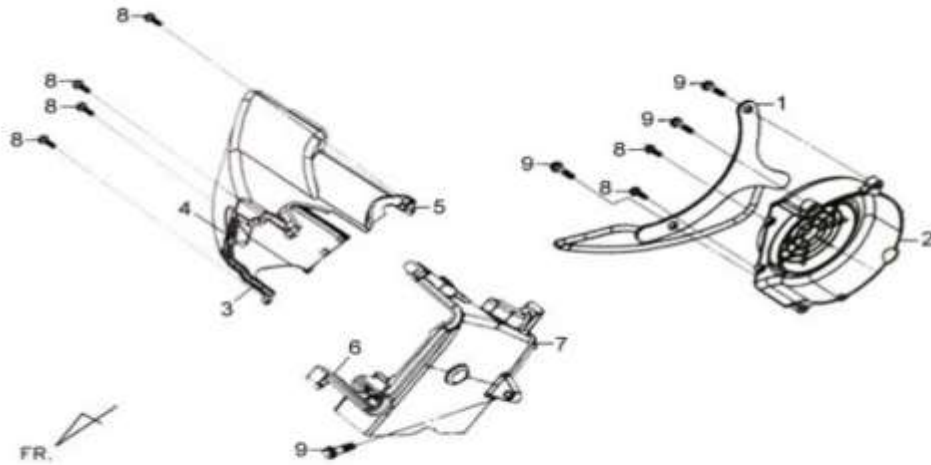
<p>E01</p> <p>SHROUD ASSY</p> 	<p>E02</p> <p>CYLINDER HEA</p> 	<p>E03</p> <p>CAM SHAFT&CY</p> 
<p>E04</p> <p>R CRANK CASE</p> 	<p>E05</p> <p>CYLINDER</p> 	<p>E06</p> <p>R. CRANK CAS</p> 
<p>E07</p> <p>AC GEN. ASSY</p> 	<p>E08</p> <p>L. CRANK CAS</p> 	<p>E09</p> <p>MOVABLE DRIV</p> 
<p>E10</p> <p>DRIVEN PULLE</p> 	<p>E11</p> <p>MISSION CASE</p> 	<p>E12</p> <p>L. CRANK CAS</p> 
<p>E13</p> <p>CRANK SHAFT</p> 	<p>E14</p> <p>CARBURETOR</p> 	Empty cell

CONTENTS—FRAME GROUP

<p>F01</p> <p>HEAD LIGHT A</p> 	<p>F02</p> <p>METER ASSY&M</p> 	<p>F03</p> <p>STRG. HANDLE</p> 
<p>F04</p> <p>FR. BRAKE</p> 	<p>F05</p> <p>FR. COVER</p> 	<p>F06</p> <p>FLOOR PANEL</p> 
<p>F07</p> <p>BODY COVER</p> 	<p>F08</p> <p>FR FORK SET</p> 	<p>F09</p> <p>FR. WHEEL</p> 
<p>F10</p> <p>RR. WHEEL</p> 	<p>F11</p> <p>LUGGAGE BOX</p> 	<p>F12</p> <p>FUEL TANK</p> 
<p>F13</p> <p>BATTERY ASS'</p> 	<p>F14</p> <p>AIR/C</p> 	<p>F15</p> <p>EXH. MUFFLER</p> 

E01
SHROUD ASSY

AE12W9-CO (CROX 125R)

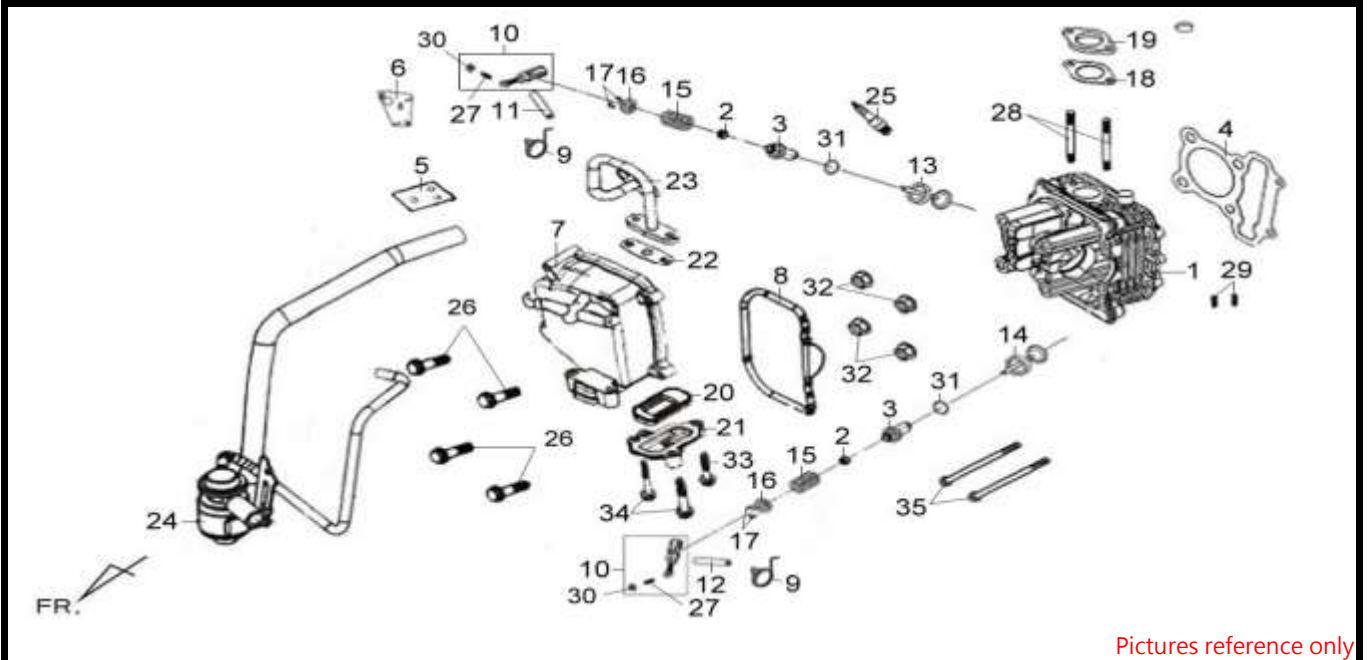


Pictures reference only

NO	PARTS NUMBER	DESCRIPTION	QTY	EFFECTIVE DATE
1.0	18241-F6S-000	EXH.PIPE PROTECTOR	1	
2.0	1961A-ANL-000	FAN COVER ASSY	1	
3.0	19625-F8A-000	SHROUD A SEAL A	1	
4.0	19626-F8A-000	SHROUD A SEAL B	1	
5.0	1962A-ANL-000	SHROUD A ASSY	1	
6.0	19635-ANL-000	SHROUD B SEAL	1	
7.0	1963A-ANL-000	SHROUD B ASSY	1	
8.0	93904-35380	TAP SCREW 5X16	6	
9.0	96001-06025-08	FLANGE BOLT SH 6X25	4	

E02
CYLINDER HEAD

AE12W9-CO (CROX 125R)



Pictures reference only

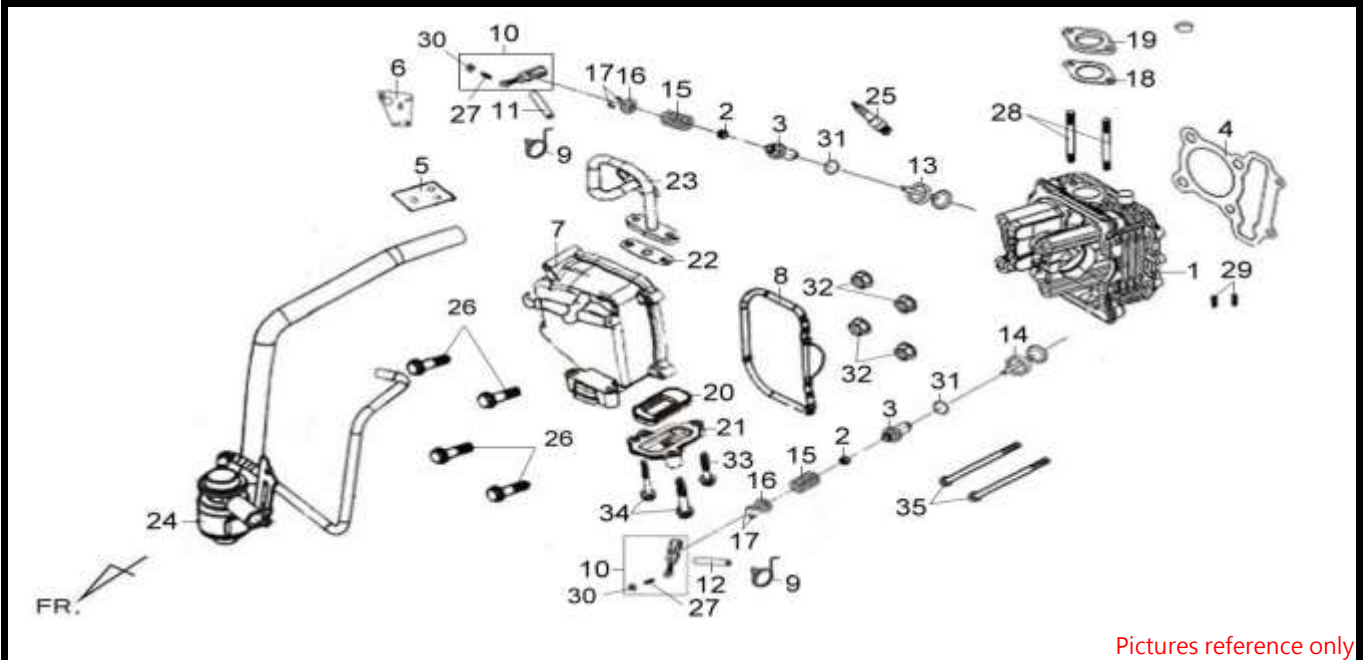
NO	PARTS NUMBER	DESCRIPTION	QTY	EFFECTIVE DATE
1.0	12200-ANL-000	CYLINDER HEAD COMP	1	
2.0	12209-H6B-900	VALVE STEM SEAL	2	
3.0	12237-F6A-300	IN.VALVE GUIDE	2	
4.0	12251-H7A-000	CYLINDER HEAD GASKET	1	
5.0	12302-ANL-000	BREATHER SEP.PLATE	1	
6.0	12308-F6C-000	SEPARATE PLATE GASKET	1	
6.0	12308-Z2D-000	SEPARATE PLATE GASKET	1	21/07/2018
7.0	12310-A61-000	CYL.HEAD COVER	1	
8.0	12391-F8A-000	HEAD COVER PACKING	1	
9.0	14439-F8A-000	ROCKER ARM TORSION SPRING	2	
10.0	1443A-ANL-000	VALVE ROCKER ARM ASSY	2	
11.0	14451-ANL-000	IN.ROCKER ARM SHAFT	1	
12.0	14452-ANL-000	EXH. ROCKER ARM SHAFT	1	
13.0	14711-F8A-000	INLET VALVE	1	
14.0	14721-F8A-000	EXHAUST VALVE	1	
15.0	14751-ARA-000	VALVE SPRING	2	
16.0	14771-F6C-A00	RETAINER VALVE SRPING	2	
17.0	14781-A01-A00	VALVE COTTER	4	
18.0	16201-ANL-010	CARB.INSULATOR GASKET	1	
19.0	16211-ANL-010	CARB.INSULATOR	1	
20.0	18601-MJ1-790	REED VALVE COMP	1	
21.0	18612-GY6-A00	REED VALVE COVER	1	
22.0	18645-M9Q-000	A/I PIPE GASKET	1	
23.0	18647-F6S-000	AIR PIPE COMP.	1	
24.0	1865A-ANL-000	A.I.C.V. ASSY.	1	
25.0	1PCR7HSA-3	PLUG CR7HSA	1	

●Please check the color & stripe information according to the color index !

2014/09

E02
CYLINDER HEAD

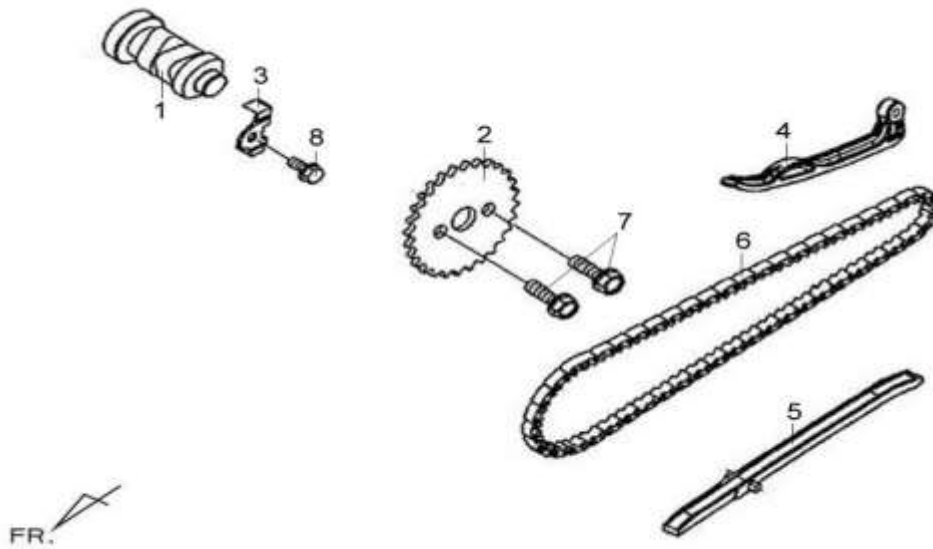
AE12W9-CO (CROX 125R)



Pictures reference only

NO	PARTS NUMBER	DESCRIPTION	QTY	EFFECTIVE DATE
26.0	90002-ANL-000	HEAD COVER BOLT	4	
27.0	90012-M9Q-000	TAPPET ADJUSTING SCREW	2	
28.0	90034-ABA-000	STUD BOLT 6X65	2	
29.0	90034-HMA-000	SPECIAL STUD BOLT 8*40	2	
30.0	90206-HLK-000	TAPPET ADJUSTING NUT	2	
31.0	91305-M9Q-000	O-RING 9.0X1.6 MM	2	
32.0	94050-08080	FLANGE NUT 8MM	4	
33.0	95701-06025-00	FLANGE BOLT 6X25	1	
34.0	95701-06045-00	BOLT FLANGE 6X45	2	
35.0	96001-06095-08	SH FLANGE BOLT 6X95	2	

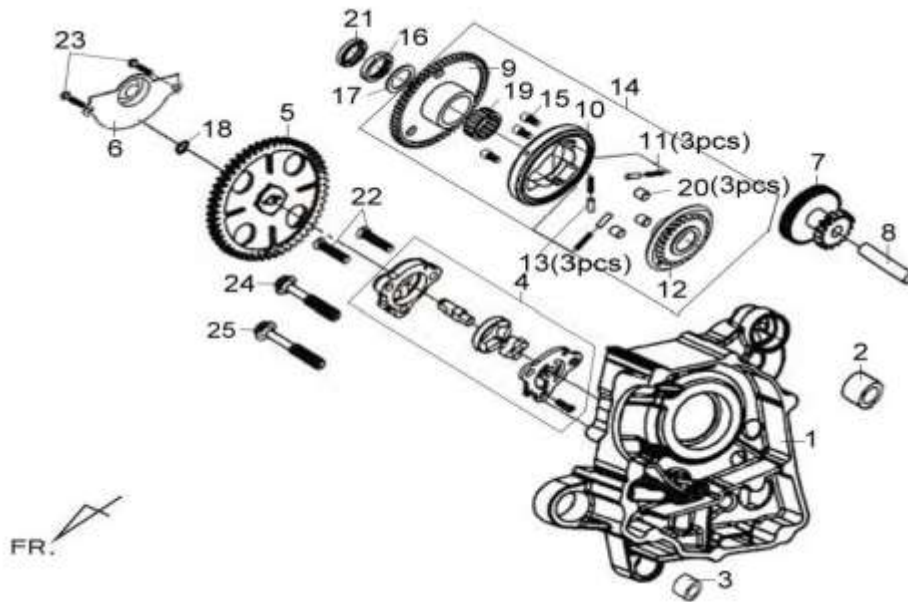
CAM SHAFT&CYL. HEAD L. SIDE COVER



Pictures reference only

NO	PARTS NUMBER	DESCRIPTION	QTY	EFFECTIVE DATE
1.0	14100-ANL-000	CAM SHAFT COMP	1	
2.0	14105-F6A-000	CAM SPROCKET	1	
3.0	14457-ANL-000	CAM SHAFT SETTING PLATE	1	
4.0	14510-F8A-000	CAM CHAIN TENSIONER	1	
5.0	14610-F8A-000	CAM CHAIN GUIDE	1	
6.0	1C14401-M92-000	CAM CHAIN(SCR0404SVX94)(D.I.D)	1	
7.0	90083-B12-000	KNOCK BOLT 6MM	2	
8.0	96001-06016-08	FLANGE BOLT 6X16	1	

R CARNK CASE&OIL PUMP ASSY

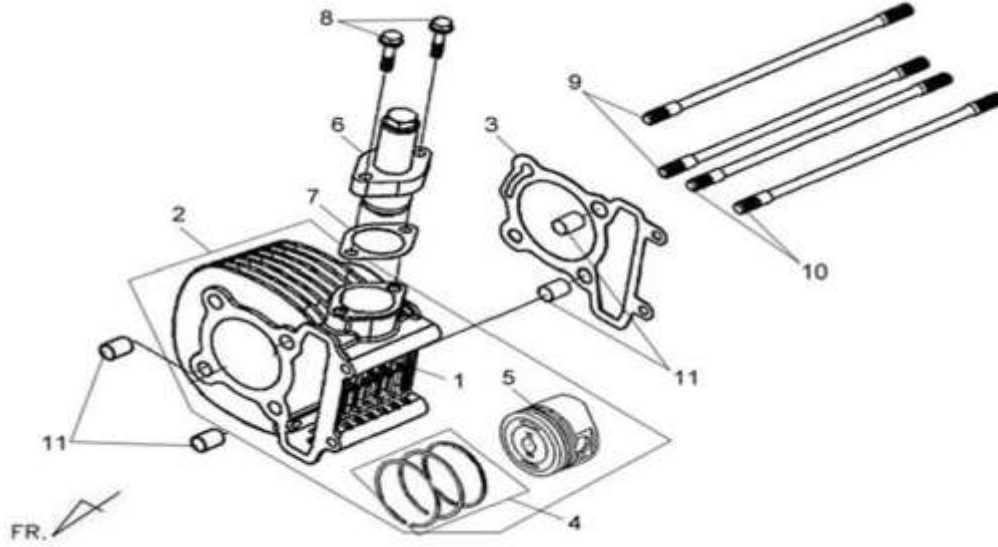


Pictures reference only

NO	PARTS NUMBER	DESCRIPTION	QTY	EFFECTIVE DATE
1.0	11100-ARA-000	R. CRAKE CASE	1	
2.0	11102-M9Q-300	ENG. HANGER RUB. BUSH	1	
3.0	11205-F6A-300	MAIN STAND BUSH	1	
4.0	15100-F6C-000-XS	OIL PUMP ASSY.	1	
5.0	15133-F6C-000	OIL PUMP DRIVEN GEAR	1	
6.0	15711-M92-000	OIL PUMP SEPARATOR	1	
7.0	28101-M9Q-000	STARTER RIDUCTION GEAR COM	1	
8.0	28102-GY6-900	START.REDUCTION GEAR SHAFT	1	
9.0	28110-M9Q-000	GEAR COMP STARTING CLUTCH	1	
10.0	28120-M9Q-000	START. CLUTCH OUTER	1	
11.0	28124-H6T-000	START. CLUTCH ROLLER SPG.	3	
12.0	28125-M92-000	START. CLUTCH FLANGE	1	
13.0	28126-M9Q-000	STARTING ROLLER SPRING CAP	3	
14.0	2812A-H6T-900	START.CLUTCH OUTER ASSY	1	
15.0	90002-M9Q-000	SOCKET BOLT 6X10	3	
16.0	90201-GY6-900	LOCK NUT 22MM	1	
17.0	90403-M92-000	THRUST WASHER 22.2X31X1.5	1	
18.0	90602-N01-000	CIR. CLIP 8MM	1	
19.0	91104-M9Q-000	NEEDLE BRG.K28X32X17SV1	1	
20.0	91105-M9Q-000	ROLLER	3	
21.0	91201-M9Q-300-M1	OIL SEAL 19.8X30X5R	1	
22.0	93600-06025-0H	FLAT SCREW 6X25	2	
23.0	96001-06012-08	FLANGE BOLT SH 6X12	2	
24.0	96001-06045-08	FLANGE BOLT SH 6X45	1	
25.0	96001-06055-08	FLANGE BOLT SH 6X55	1	

E05
CYLINDER

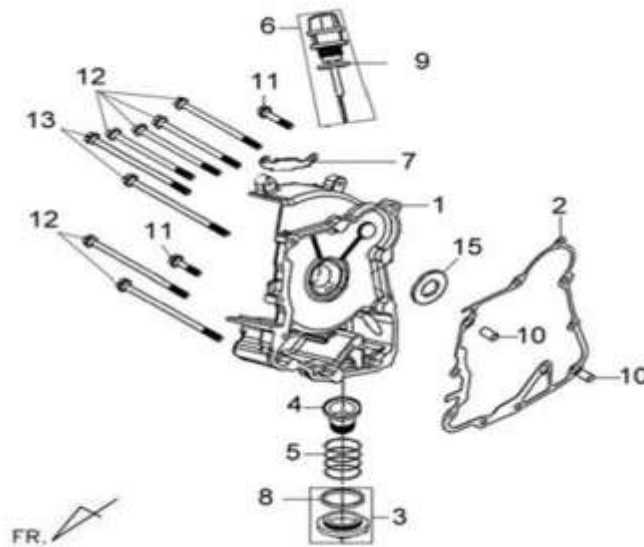
AE12W9-CO (CROX 125R)



Pictures reference only

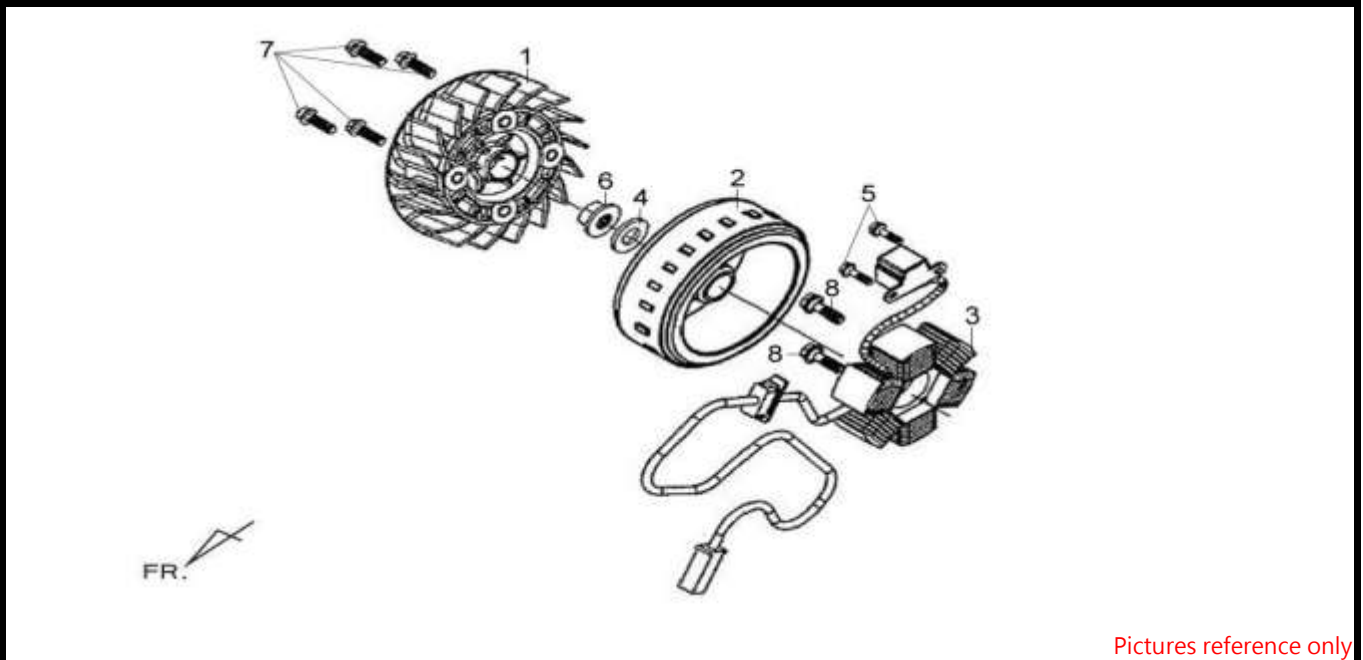
NO	PARTS NUMBER	DESCRIPTION	QTY	EFFECTIVE DATE
1.0	12100-ARA-000	CYLINDER	1	
2.0	12100-ARA-000-A-XS	CYLINDER SET	1	
3.0	12191-F6C-000	CYLINDER GASKET	1	
4.0	13010-U3A-000	PISTON RING SET	1	
5.0	13101-ANL-000	PISTON	1	
6.0	14520-M9Q-000	TENSIONER LIFTER ASSY	1	
7.0	14523-GY6-900	TENSIONER LIFTER GASKET	1	
8.0	90001-M9Q-000	FLANGE SHF BOLT 6X22	2	
9.0	90031-M2Q-000	CYL. STUD BOLT A	2	
10.0	90032-A6A-000	CYLINDER STUD BOLT B	2	
11.0	90703-M8Q-000	DOWEL PIN 10X14	4	

R. CRANK CASE COVER



Pictures reference only

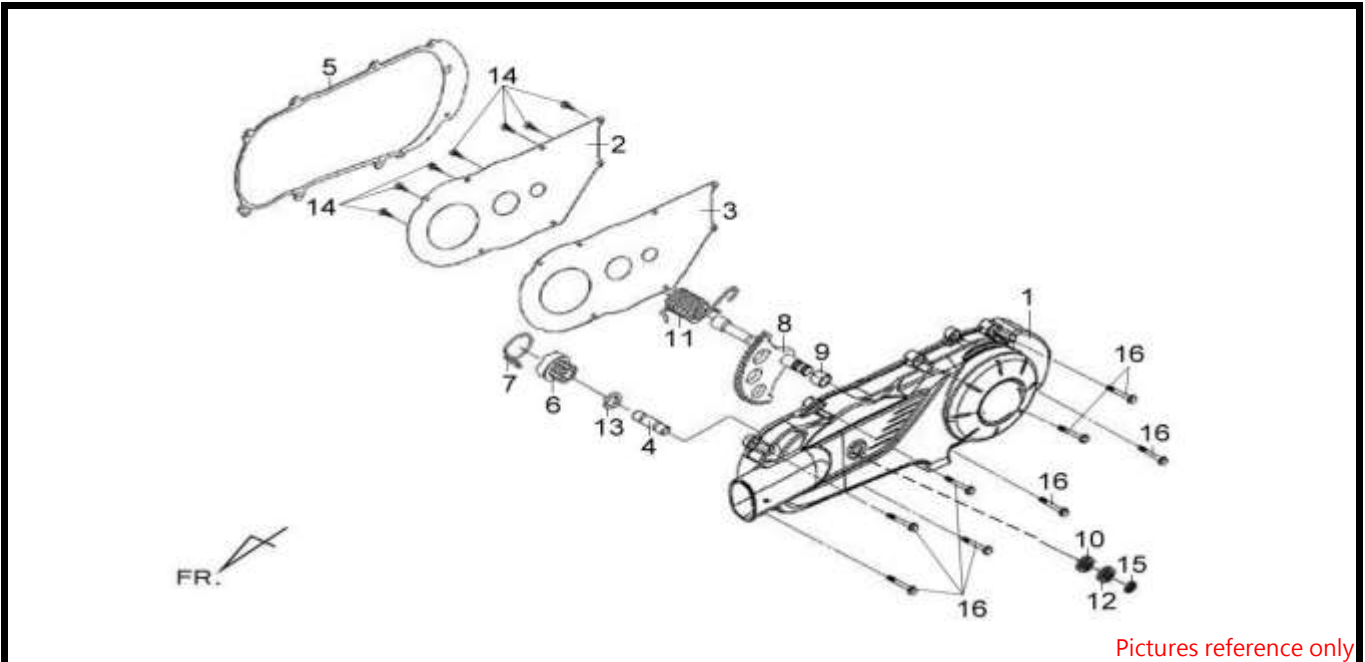
NO	PARTS NUMBER	DESCRIPTION	QTY	EFFECTIVE DATE
1.0	11331-ARB-000	R. CRANK CASE COVER	1	
2.0	11394-F6C-000	R COVER GASKET	1	
3.0	1236A-M9T-000	TAPPET ADJ HOLE CAP ASSY	1	
4.0	15421-H66-000	OIL FILTER SCREEN	1	
5.0	15426-GE1-920	OIL FILTER SCREEN SPRING	1	
6.0	1565A-F6A-000	OIL LEVEL GAUGE ASSY.	1	
7.0	32961-ARA-000	ACV CORD CLAMPER	1	
8.0	91302-M9Q-000	O-RING 30.8MM	1	
9.0	91307-035-000	O-RING 18X3	1	
10.0	94301-08140	DOWEL PIN 8X14	2	
11.0	96001-06030-08	FLANGE SH BOLT 6X30	2	
12.0	96001-06095-08	SH FLANGE BOLT 6X95	6	
13.0	96001-06100-08	FLANGE BOLT SH 6X100	2	



Pictures reference only

NO	PARTS NUMBER	DESCRIPTION	QTY	EFFECTIVE DATE
1.0	19510-F6A-010	COOLING FAN COMP	1	
2.0	31110-X1A-000	FLYWHEEL COMP	1	
3.0	31120-X1A-000	STATOR COMP	1	
4.0	90440-166-000	PLAIN WASHER 12MM	1	
5.0	92101-05012-0A	HEX BOLT 5*12	2	
6.0	94050-12000	FLANGE NUT 12MM	1	
7.0	96001-06018-08	FLANGE BOLT SH 6X18	4	
8.0	96001-06028-08	FLANGE BOLT SH 6X28	2	

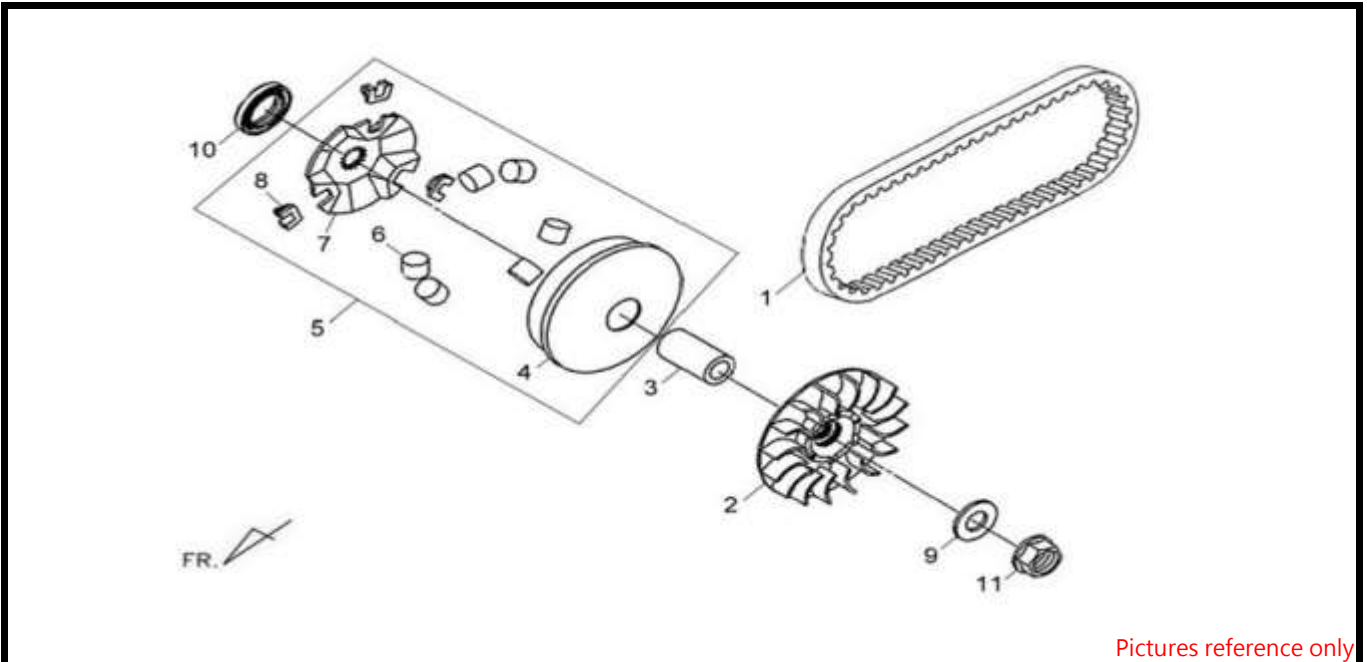
L. CRANK CASE COVER



Pictures reference only

NO	PARTS NUMBER	DESCRIPTION	QTY	EFFECTIVE DATE
1.0	11341-ANA-000-K1	L. SIDE COVER COMP(NH-105)	1	
2.0	11342-ANA-000	L.CRANK COVER PLATE	1	
3.0	11343-ANA-000	L.COVER PLATE GASKET	1	
4.0	11360-M92-300	KICK STARTER DRIVEN SHAFT	1	
5.0	11395-ANA-000	L.CRANK CASE COVER GASKET	1	
6.0	28230-H6T-000	KICK DRIVEN GEAR COMP	1	
7.0	28233-M92-000	KICK START.DRIVEN SPRING	1	
8.0	28250-ARA-000	KICK STARTER SPINDLE COMP	1	
9.0	28254-M92-000	KICK SPINDLE BUSH	1	
10.0	28258-HEB-000	WASHER	1	
11.0	28281-ARA-000	KICK STARTER SPRING	1	
12.0	90451-M7Q-000	KICK SPINDLE WASHER	1	
13.0	90452-M9Q-000	THRUST WASHER 13MM	1	
14.0	93500-05012-0H	PAN SCREW 5X12	7	
15.0	94511-14000	EX. CIR CLIP 14MM	1	
16.0	96001-06028-00	FLANGE SH BOLT 6X28	8	

MOVABLE DRIVE FACE ASS'Y

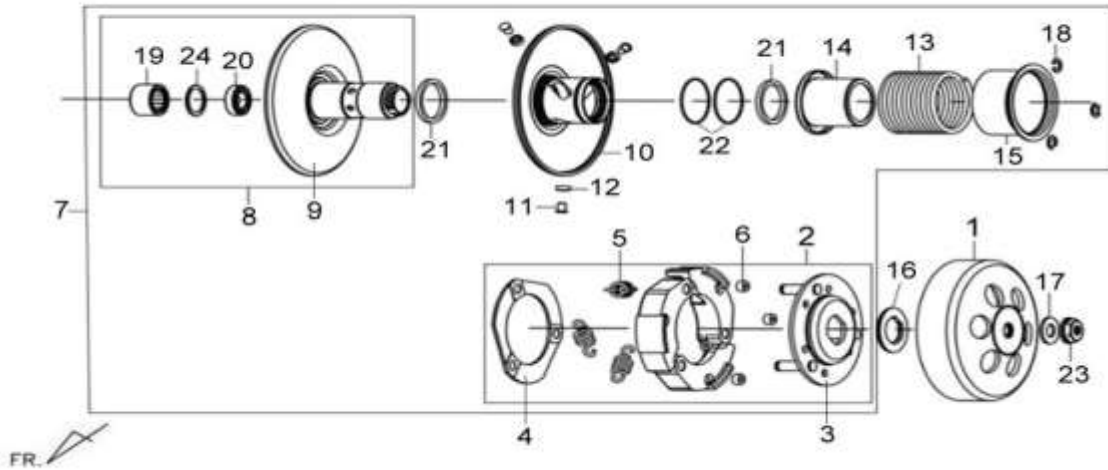


Pictures reference only

NO	PARTS NUMBER	DESCRIPTION	QTY	EFFECTIVE DATE
1.0	1B01ANA01	DRIVE BELT 818X19.7X28	1	
2.0	22102-M92-000	DRIVE FACE COMP	1	
3.0	22105-M92-000	DRIVE FACE BOSS	1	
4.0	22110-H5B-000	MOVABLE DRIVE FACE COMP	1	
5.0	2211A-ARA-000	MOVABLE DRIVE FACE	1	
6.0	22121-HKE-000-A	WEIGHT ROLLER SET(10.1g)	1	
6.0	22121-AEN-000-A	WEIGHT ROLLER SET(8.1g)	1	01/05/2015
7.0	22131-M92-000	RAMP PLATE	1	
8.0	22132-ARA-000-A	SLIDE PIECE(3PCS/1SET)	1	
9.0	90440-166-000	PLAIN WASHER 12MM	1	
10.0	91202-A6A-000	OIL SEAL 25*40*7	1	
11.0	94050-12000	FLANGE NUT 12MM	1	

E10
DRIVEN PULLEY ASS'Y

AE12W9-CO (CROX 125R)



Pictures reference only

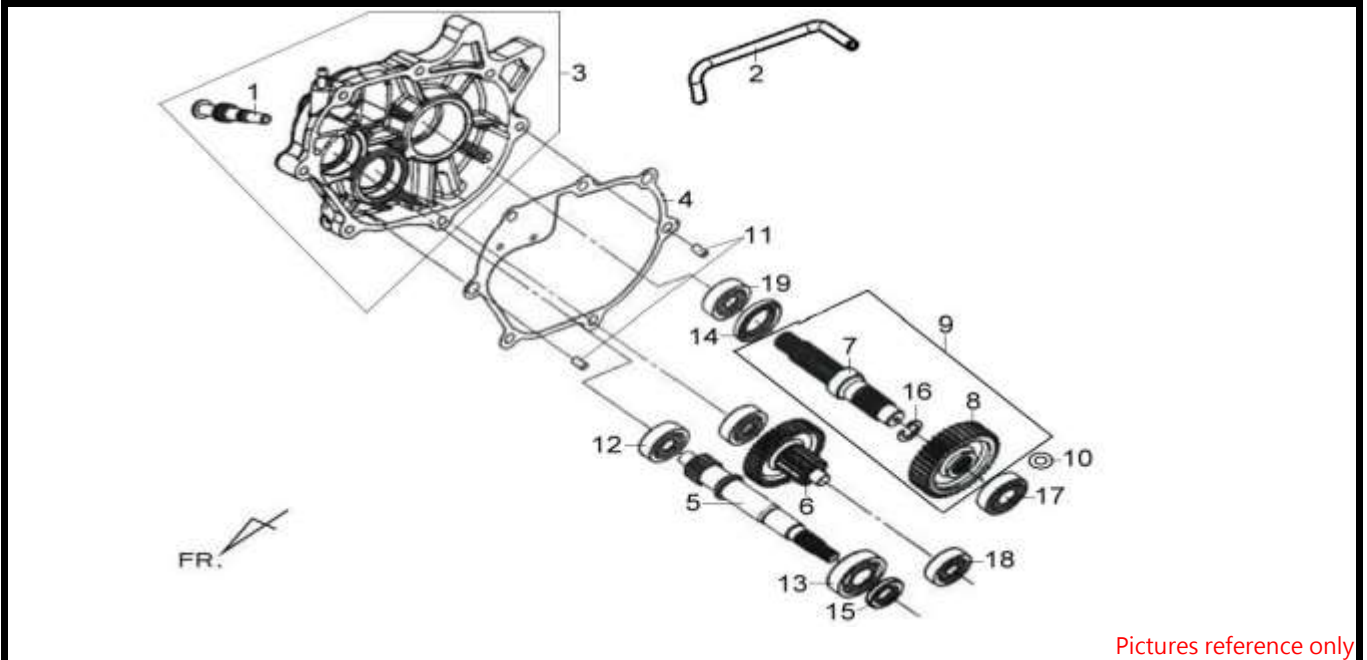
NO	PARTS NUMBER	DESCRIPTION	QTY	EFFECTIVE DATE
1.0	22101-M9Q-000	CLUTCH OUTER	1	
2.0	22300-F6C-000	DRIVE PLATE ASSY	1	
3.0	22350-HKE-000	CLUTCH PRESURE PLATE	1	
4.0	22361-M9Q-000	CLUTCH LIFTER PLATE	1	
5.0	22401-H6T-000	CLUTCH SPRING	3	
6.0	22804-M9Q-000	CLUTCH DAMPER RUBBER	3	
7.0	23010-F6C-000	DRIVEN PULLEY ASSY.	1	
8.0	23200-HKE-000	DRIVEN FACE ASSY	1	
9.0	23210-HKE-000	DRIVEN FACE COMP	1	
10.0	23220-HKE-000	MOVABLE DRIVEN FACE COMP	1	
11.0	23225-HKE-000	GUIDE PIN	3	
12.0	23226-M9Q-000	GUIDE ROLLER	3	
13.0	23233-M9Q-000	DRIVEN FACE SPRING	1	
14.0	23237-M9Q-000	SEAL COLLAR	1	
15.0	23238-HKE-000	SPRING COLLAR	1	
16.0	90202-M9Q-000	SPECIAL NUT 28MM	1	
17.0	90440-166-000	PLAIN WASHER 12MM	1	
18.0	90605-166-720	CIR CLIP 7MM	3	
19.0	91001-GY6-900-M1	NDL BRG. 20X29X18	1	
20.0	91002-GA7-701	NEEDLE BRG.6902LUC3/4E	1	
21.0	91211-M8Q-000	DRIVEN FACE SEAL 34X41X4	2	
22.0	91384-M9Q-000	O-RING 38.8X1.9	2	
23.0	94050-12000	FLANGE NUT 12MM	1	
24.0	94520-28000	IN. CIR. CLIP 28MM	1	

●Please check the color & stripe information according to the color index !

2014/09

E11
MISSION CASE&DRIVE SHAFT

AE12W9-CO (CROX 125R)



Pictures reference only

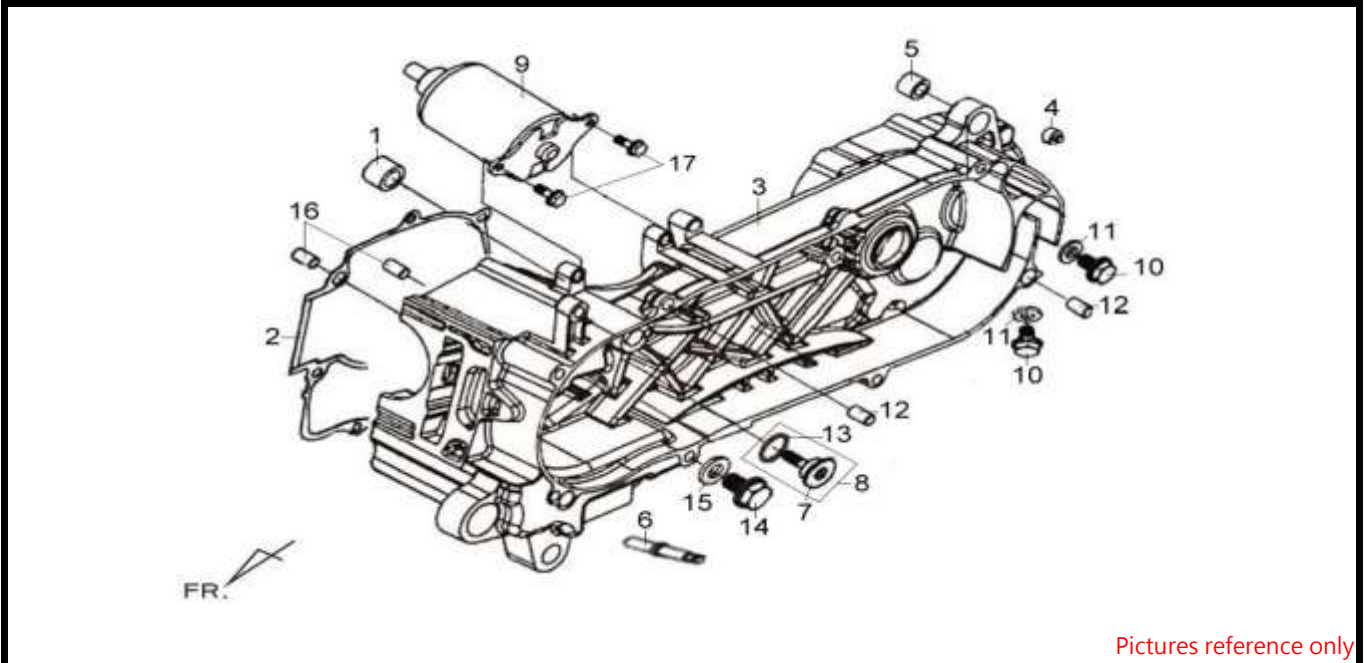
NO	PARTS NUMBER	DESCRIPTION	QTY	EFFECTIVE DATE
1.0	11203-AFA-000	BRAKE SHOE ANCHOR PIN	1	
2.0	11221-ABA-000	MISSION BREATHER TUBE	1	
3.0	21200-A6A-000	MISSION CASE	1	
4.0	21395-ABA-000	MISSION COVER GASKET	1	
5.0	23411-ANL-000	DRIVE SHAFT	1	
6.0	23420-ANL-010	COUNTER SHAFT COMP	1	
7.0	23431-AR1-000	FINAL SHAFT	1	
8.0	23432-ANL-000	FINAL GEAR	1	
9.0	2343A-AES-000	FINAL GEAR COMP.	1	
10.0	90401-ANL-000	WASHER 17*30*1	1	
11.0	90703-M8Q-000	DOWEL PIN 10X14	2	
12.0	91003-M8Q-000	RADIAL BALL BRG.CSB301JR2	1	
13.0	91104-KN7-670	RADIAL BALL BRG CSB204JR2	1	
14.0	91201-HHA-300	OIL SEAL 32*47*7	1	
15.0	91202-KJ9-003	OIL SEAL 20X32X6	1	
16.0	94510-25000	EX. CIR CLIP 25MM	1	
17.0	96100-62033-10	RAD.BRG.BALL 6203 C3/2A	1	
18.0	96100-63013-00	RAD.BALL.BRG 6301 C3	2	
19.0	96150-62043-10	RAD.BALL.BRG.6204 LLU C3/2A	1	

●Please check the color & stripe information according to the color index !

2014/09

E12
L. CRANK CASE

AE12W9-CO (CROX 125R)

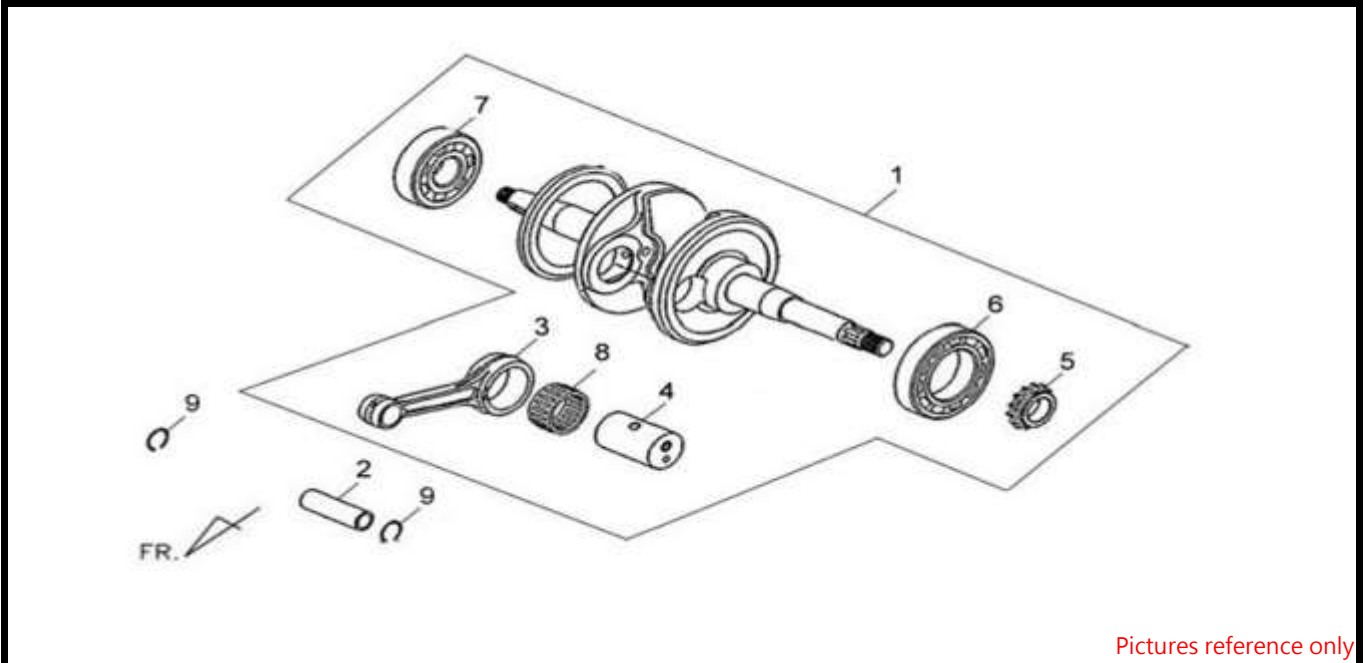


Pictures reference only

NO	PARTS NUMBER	DESCRIPTION	QTY	EFFECTIVE DATE
1.0	11102-M9Q-300	ENG. HANGER RUB. BUSH	1	
2.0	11192-F6C-000	R CRANK CASE GASKET	1	
3.0	11200-ANA-010	L CRANK CASE COMP	1	
4.0	11202-M92-000	GUIDE RUBBER SPG	2	
5.0	11203-GC7-300	RR. CUSH UND BUSH RUBBER	1	
6.0	11204-ABA-000	SPRING HOOK PIN	1	
7.0	14531-M9Q-000	CAM CHAIN TENSIONERPIVOT	1	
8.0	1453A-M92-000	CAM CHAIN TNSR.PIVOT ASSY	1	
9.0	31200-F6C-000	START MOTOR ASSY	1	
10.0	90103-KN8-000	SPECIAL BOLT 8MM	2	
11.0	90474-333-000-KD	WASHER 8MM	2	
12.0	90703-M8Q-000	DOWEL PIN 10X14	2	
13.0	91304-M9Q-000	O-RING 15.2*1.5	1	
14.0	92800-12000	DRAIN PLUG BOLT 12MM	1	
15.0	94109-12000	DRAIN PLUG WASHER 12MM	1	
16.0	94301-08140	DOWEL PIN 8X14	2	
17.0	96001-06016-08	FLANGE BOLT 6X16	2	

E13
CRANK SHAFT

AE12W9-CO (CROX 125R)

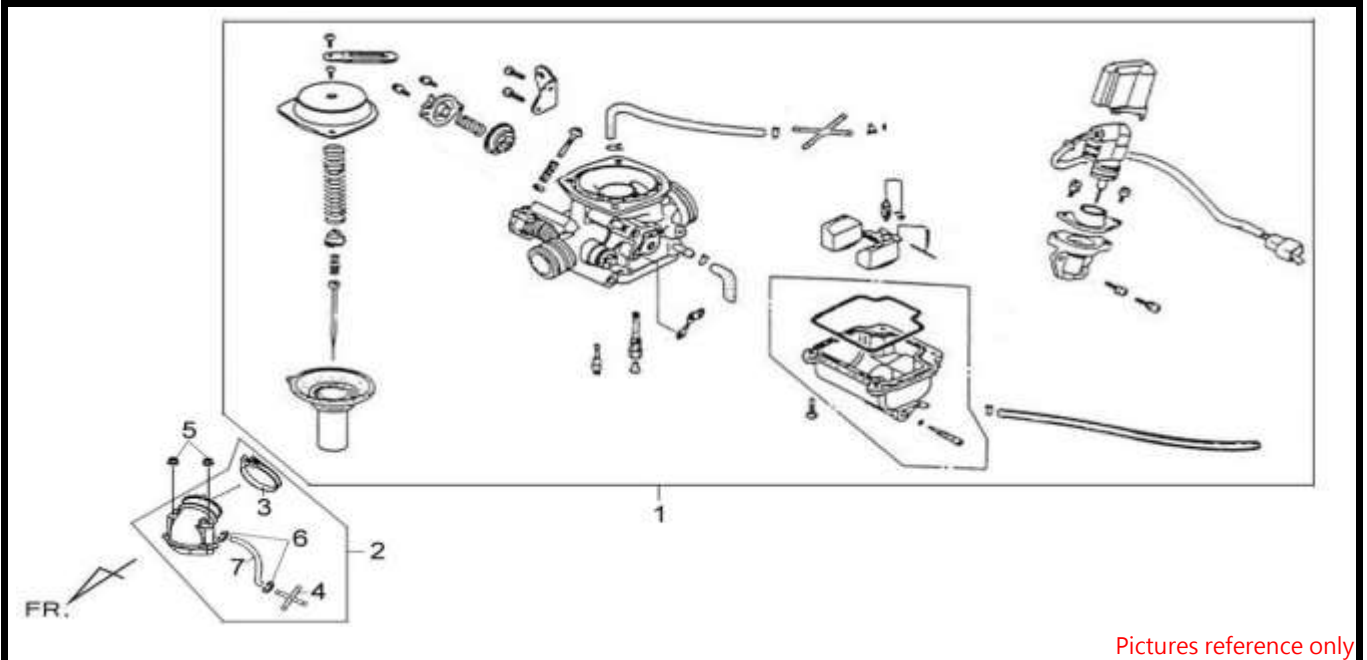


Pictures reference only

NO	PARTS NUMBER	DESCRIPTION	QTY	EFFECTIVE DATE
1.0	13000-ANL-000	CRANK SHAFT COMP	1	
2.0	13111-ARA-000	PISTON PIN	1	
3.0	13201-ARA-000	CONNECTING ROD	1	
4.0	13381-M92-300	CRANK PIN	1	
5.0	14311-F6A-300	TIMING SPROCKET	1	
6.0	91001-F6A-300	RADIAL BALL BRG.TMB207C3	1	
7.0	91001-H6B-300	RADIAL BALL BRG.63/22	1	
8.0	91101-M9Q-000	CONNECTING ROD BEARING 28X33X13.8	1	
9.0	94601-15000	PISTON PIN CLIP 15MM	2	

E14
CARBURETOR

AE12W9-CO (CROX 125R)

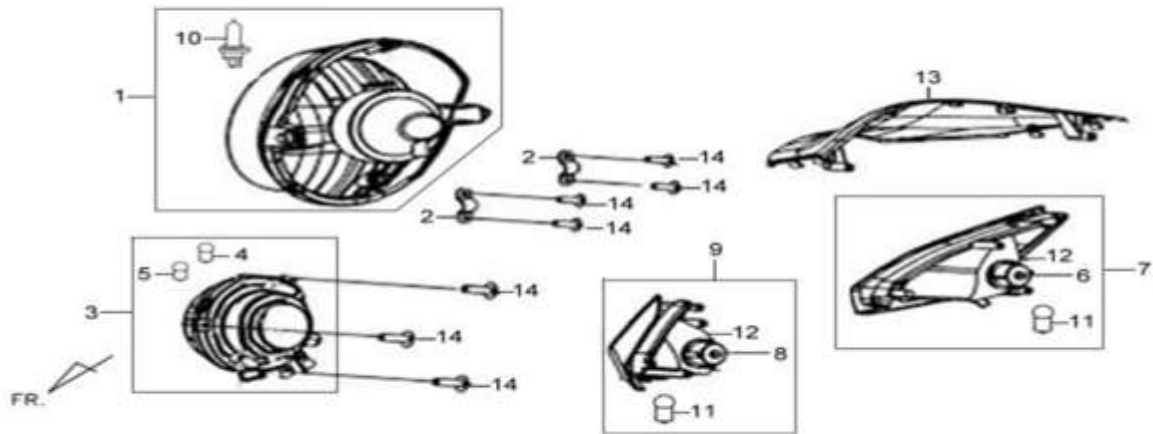


Pictures reference only

NO	PARTS NUMBER	DESCRIPTION	QTY	EFFECTIVE DATE
1.0	16100-ANM-000	CARBURETOR ASSY	1	
2.0	1711A-ANM-000	INLET PIPE ASSY	1	
3.0	17256-M9Q-000	INSULATOR BAND	1	
4.0	18670-S6N-000	4-WAY JOINT	1	
5.0	94050-06000	FLANGE NUT 6MM	2	
6.0	95002-02070	TUBE CLIP B7	2	
7.0	95005-35050-50	TUBE 3.5*50	1	

F01
HEAD LIGHT ASSY

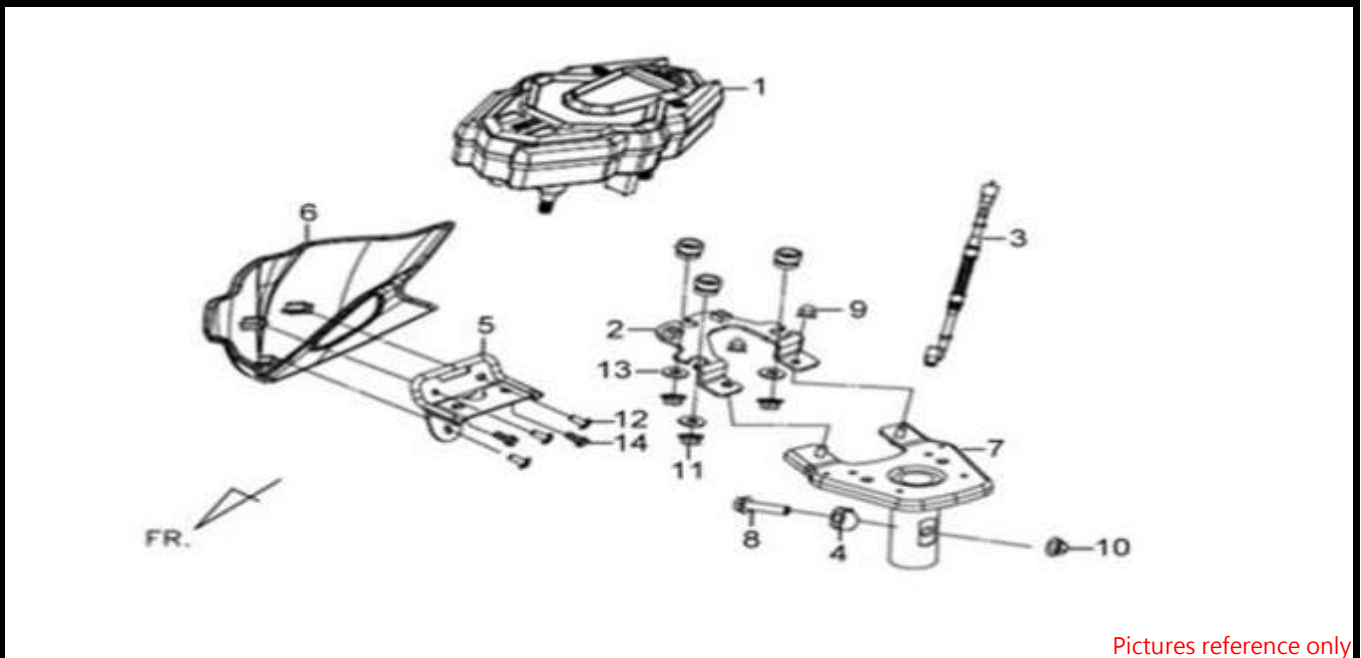
AE12W9-CO (CROX 125R)



Pictures reference only

NO	PARTS NUMBER	DESCRIPTION	QTY	EFFECTIVE DATE
1.0	33100-AEM-000	HEAD LIGHT ASSY	1	
2.0	33107-A7A-000	HEAD LIGHT PLATE	2	
3.0	33140-AEM-000	FR POSITION LIGHT ASSY	1	
4.0	33145-AWU-000	LED PCB 1	1	
5.0	33146-AWU-000	LED PCB 2	1	
6.0	33400-AEM-000	FR.R.WINKER ASSY	1	
7.0	33401-AEM-000	R.FR.WINKER LENS	1	
8.0	33450-AEM-000	FR.L.WINKER ASSY	1	
9.0	33451-AEM-000	L.FR.WINKER LENS	1	
10.0	34901-X06-000	HEAD LIGHT BULB	1	
11.0	34905-M70-000	WINKER BULB RR 12V10W(E)	2	
12.0	34906-ABF-000	FR.R/L.WINKER SOCKET COMP	2	
13.0	64303-AWU-000-KC	FR. TOP COVER	1	
13.0	64303-AWU-000-WD	FR. TOP COVER	1	
13.0	64303-AWU-000-AE	FR. TOP COVER	1	
14.0	93903-34340	TAPPING SCREW 4X12	7	

METER ASSY&METER VISOR

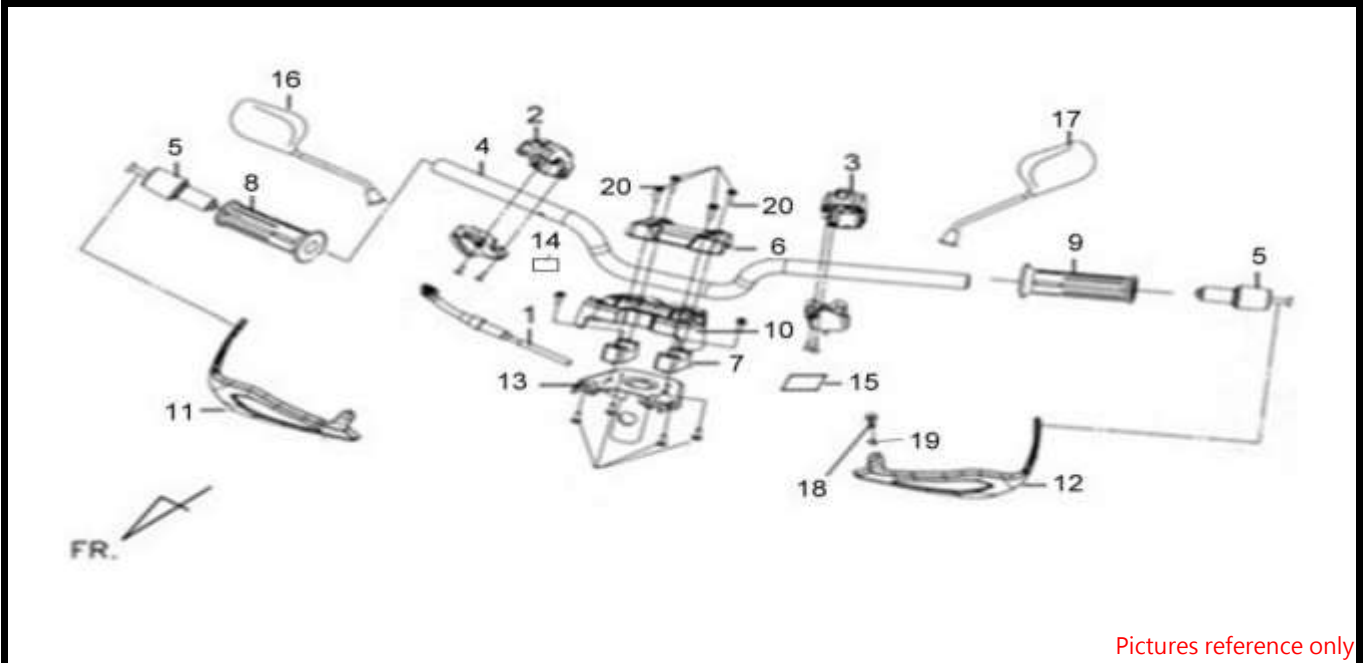


Pictures reference only

NO	PARTS NUMBER	DESCRIPTION	QTY	EFFECTIVE DATE
1.0	37200-AEN-000	METER ASSY	1	
1.0	37200-AEN-010	METER ASSY	1	21/08/2020
2.0	37212-AJF-000	METER STAY	1	
3.0	44830-XDE-000	SPEED.SENSOR COMP	1	
4.0	53125-CT1C-A00	HANDLE SET COLLAR	1	
5.0	53201-AWU-000	METER VISOR STAY	1	
6.0	53207-B9A-000-KC	METER VISOR A BK007U	1	
6.0	53207-B9A-000-WD	METER VISOR A WH8018P	1	
6.0	53207-B9A-000-BU	METER VISOR A BU-300S	1	
7.0	53231-AWU-000	HANDLE PIPE UNDER HOLDER	1	
8.0	90106-AAA-000	FLANGE BOLT 10*55	1	
9.0	90301-M9Q-900	OPEN STAY NUT 6MM	2	
10.0	90304-AAA-000	FLANGE U NUT 10MM	1	
11.0	93903-35240	TAPPING SCREW 5X12	3	
12.0	93903-35240	TAPPING SCREW 5X12	3	
13.0	94103-06400	PLAIN WASHER 6MM	3	
14.0	95801-06012-08	FLANGE BOLT 6X12	2	

F03
STRG. HANDLE COMP.

AE12W9-CO (CROX 125R)

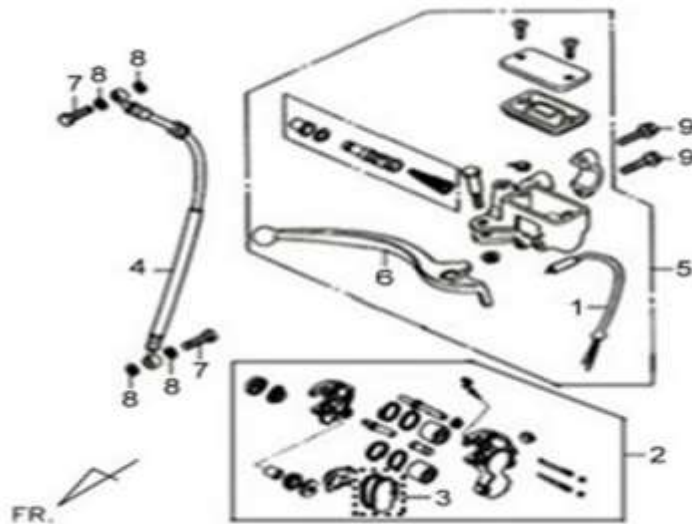


Pictures reference only

NO	PARTS NUMBER	DESCRIPTION	QTY	EFFECTIVE DATE
1.0	17910-AEL-000	THROT CABLE COMP	1	
2.0	35150-XDE-000	R.HANDLE SW.UNIT	1	
3.0	35200-AEN-000	L. HANDLE SW. UNIT	1	
4.0	53100-AWU-000-GY	STRG. HANDLE COMP GY-096S	1	
5.0	53104-N5G-B00	HANDLE PIPE WT.	2	
6.0	53131-AWU-000	HANDLE PIPE UP HOLDER	1	
7.0	53132-AWU-000	HANDLE PIPE DOWN HODLER	2	
8.0	53140-N7K-000	THROT.GRIP COMP	1	
9.0	53166-N7K-000	L.GRIP RUBBER	1	
10.0	53205-AWU-000-KC	FR.HANDLE COVER BK-007U	1	
10.0	53205-AWU-000-WD	FR.HANDLE COVER WH-8018P	1	
10.0	53205-AWU-000-AE	FR.HANDLE COVER GY-7450U	1	
11.0	53208-AWU-000	R. LEVER COVER	1	
12.0	53209-AWU-000	L. LEVER COVER	1	
13.0	53231-AWU-000	HANDLE PIPE UNDER HOLDER	1	
14.0	64307-ABA-000	RUBBER SEAL	1	
15.0	87170-AEL-000	HANDLE MARK	1	
16.0	88110-Z8H-000	R. BACK MIRROR	1	
17.0	88120-Z8H-000	L. BACK MIRROR	1	
18.0	90110-AWU-000	SPECIAL BOLT 6X12	1	
19.0	90555-T3A-A00	WASHER	1	
20.0	96700-06025-07	SOCKET BOLT 6X25	4	

●Please check the color & stripe information according to the color index !

2014/09

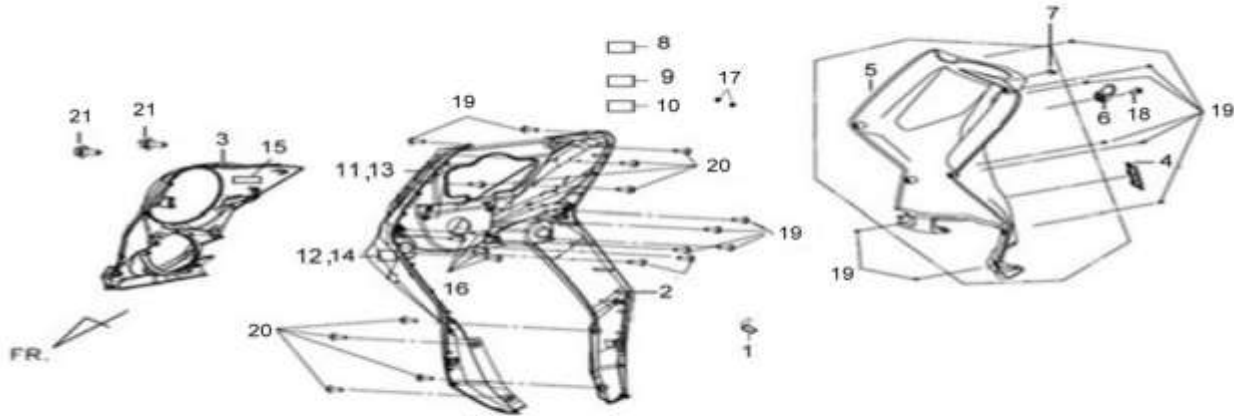


Pictures reference only

NO	PARTS NUMBER	DESCRIPTION	QTY	EFFECTIVE DATE
1.0	35342-XDE-000	FR.STOP SW.CORD COMP.	1	
2.0	45100-ATA-000-R	FR.CALIPER ASSY	1	
3.0	45105-APA-000-A	PAD CPMP A	1	
4.0	45126-AWU-000	FR. BRAKE HOSE ASSY.	1	
5.0	45500-AE1-000-R	FR M/C ASS'Y	1	
6.0	53170-AWU-000	R. HANDLE LEVER	1	
7.0	90145-M9Q-000	OIL BOLT 10X22	2	
8.0	90545-M9Q-000	OIL BOLT WASHER	4	
9.0	96700-06022-00	SOCKET BOLT 6X22	2	

F05
FR. COVER

AE12W9-CO (CROX 125R)

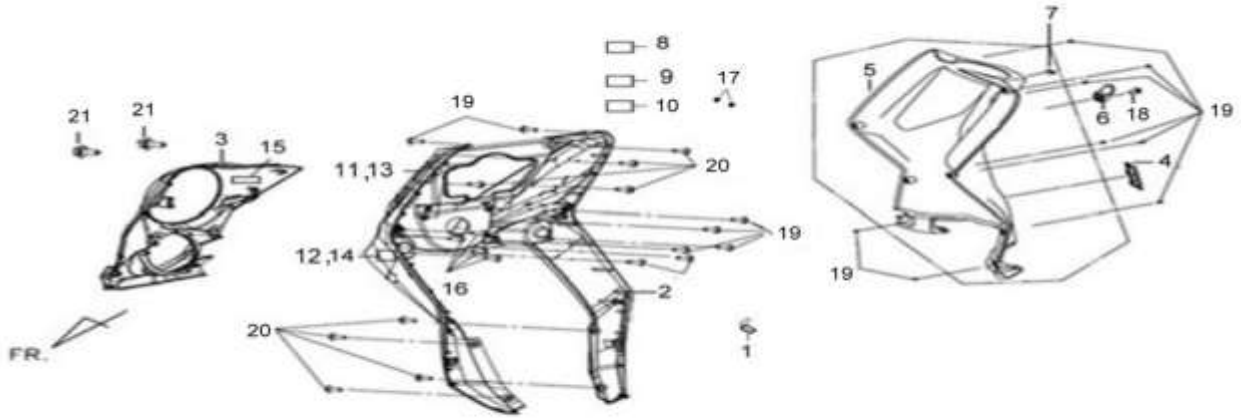


Pictures reference only

NO	PARTS NUMBER	DESCRIPTION	QTY	EFFECTIVE DATE
1.0	50180-AWU-000	FR.COVER STAY	1	
2.0	64301-AWU-000-KC	FR.COVER BK-007U	1	
2.0	64301-AWU-000-WD	FR.COVER WH-8018P	1	
2.0	64301-AWU-000-BU	FR.COVER BU-300S	1	
3.0	64302-AWU-000	FR. COVER EMBLEM	1	
4.0	64318-ALA-000-BK	FRAME NUMBER LID(BLACK)	1	
5.0	81131-ABF-000	INNER COVER A	1	
6.0	81132-M7Q-000	LUGGAGE HOOK	1	
7.0	81133-ABA-000	LUGGAGE STOPPER	1	
8.0	87123-AE1-000-T1	FR. COVER L. STRIPE A	1	
8.0	87123-AE1-000-T2	FR. COVER L. STRIPE A	1	
9.0	87123-AWU-000-T2	FR. COVER R. STRIPE	1	
10.0	87124-AWU-000-T2	FR. COVER R. STRIPE	1	
11.0	87131-AER-000-T2	FR. COVER R. STRIPE	1	
12.0	87132-AER-000-T2	FR. COVER L. STRIPE	1	
13.0	87133-AER-000-T1	FR.COVER R. STRIPE B	1	
13.0	87133-AER-000-T2	FR.COVER R. STRIPE B	1	
14.0	87134-AER-000-T1	FR.COVER L. STRIPE B	1	
14.0	87134-AER-000-T2	FR.COVER L. STRIPE B	1	
15.0	87170-AKA-A00-T1	SYM STRIPE(WHITE)	1	
15.0	87170-AKA-A00-T2	SYM STRIPE(BLACK)	1	
16.0	90109-42128	TAPPING SCREW M4.2x12	8	
17.0	90111-AWU-000	FR. COVER COLLAR	2	
18.0	90164-M9Q-000	SCREW SPECIAL 6mm	1	
19.0	93903-35240	TAPPING SCREW 5X12	16	

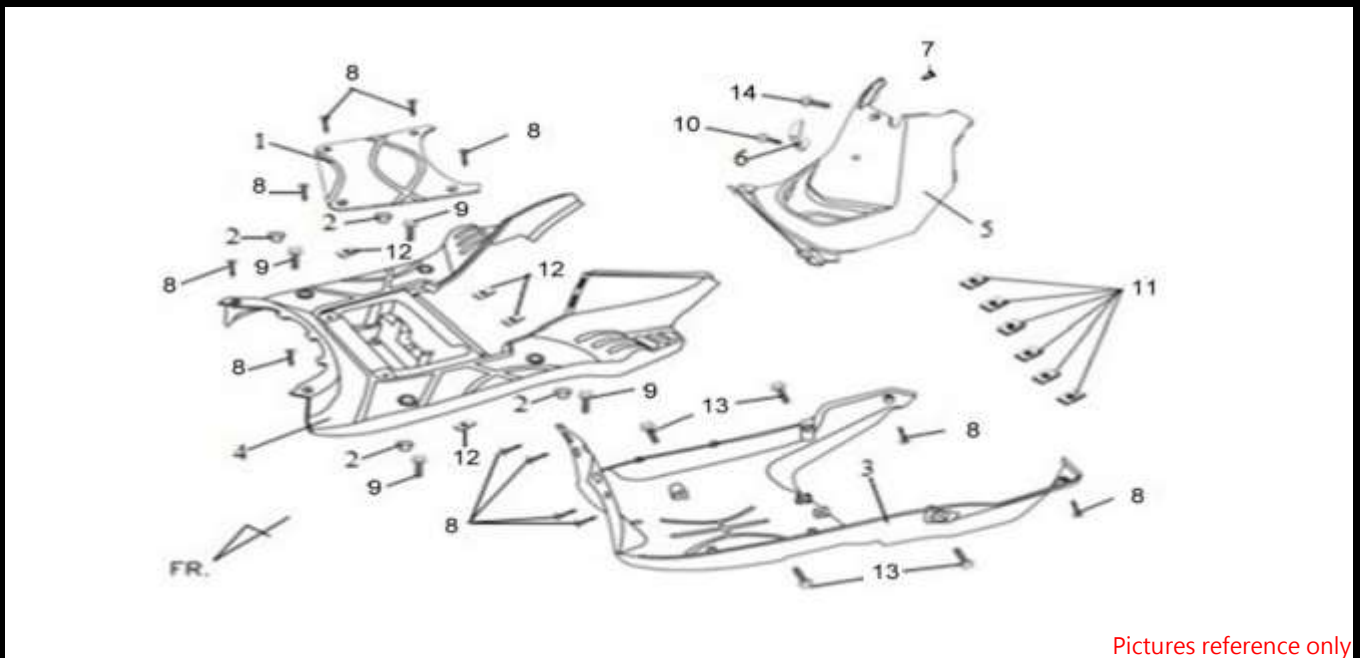
●Please check the color & stripe information according to the color index !

2014/09



Pictures reference only

NO	PARTS NUMBER	DESCRIPTION	QTY	EFFECTIVE DATE
20.0	93903-45320	TAPPING SCREW 5X16	8	
21.0	96700-06012-08	SOCKET BOLT 6X12	2	

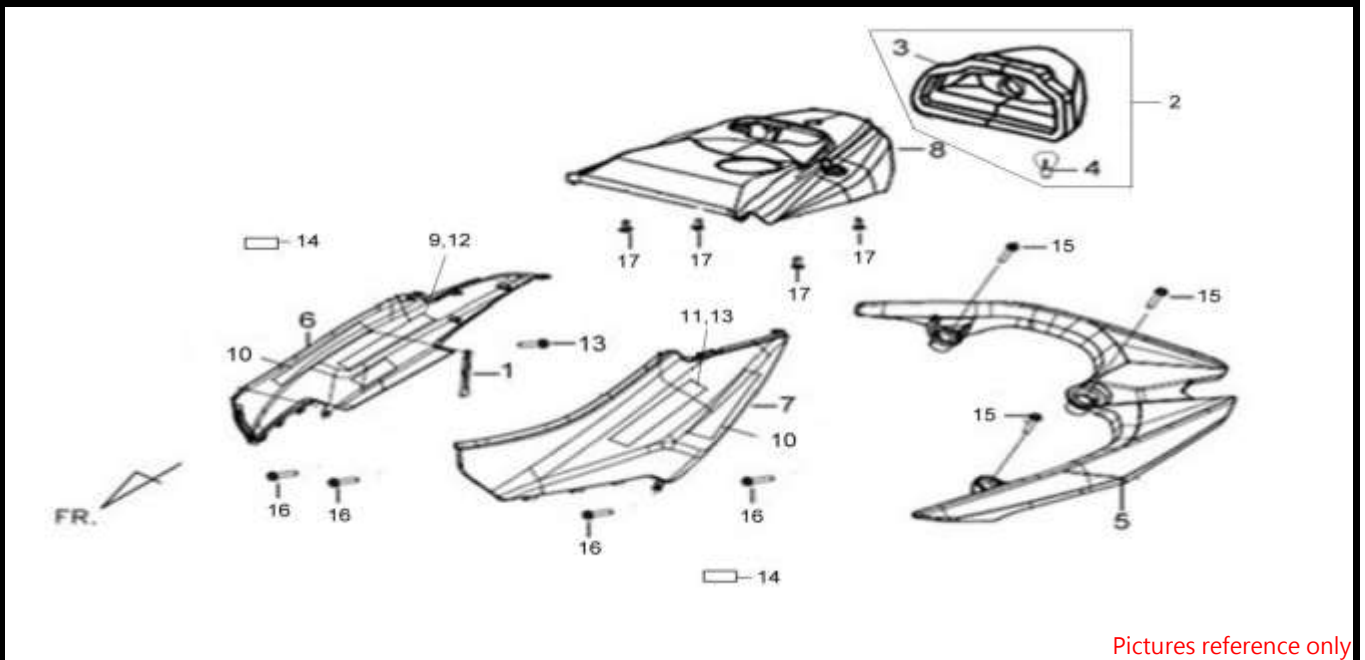


Pictures reference only

NO	PARTS NUMBER	DESCRIPTION	QTY	EFFECTIVE DATE
1.0	50326-AAA-000	BATTERY COVER	1	
2.0	50612-APA-000	FLOOR STEP CAP A	4	
3.0	50613-ABF-000	UNDER COVER	1	
4.0	64310-ABF-000	FLOOR PANEL	1	
5.0	80151-AAA-000	CENTER COVER	1	
6.0	81132-H12-000	LUGGAGE HOOK	1	
7.0	81133-H12-000	LUGGAGE HOOK STOPPER	1	
8.0	90109-42168	TAPPING SCREW M4.2x16	12	
9.0	90111-AAA-000	FLANGE BOLT 6MM	4	
10.0	90115-G02-000	BOLT 6X16	1	
11.0	90302-M92-000	SPRING NUT 4MM	6	
12.0	90308-X04-000	SPECIAL NUT 5MM	4	
13.0	93404-06016-00	WASHER BOLT 6X16	4	
14.0	93903-35240	TAPPING SCREW 5X12	1	

F07
BODY COVER

AE12W9-CO (CROX 125R)



Pictures reference only

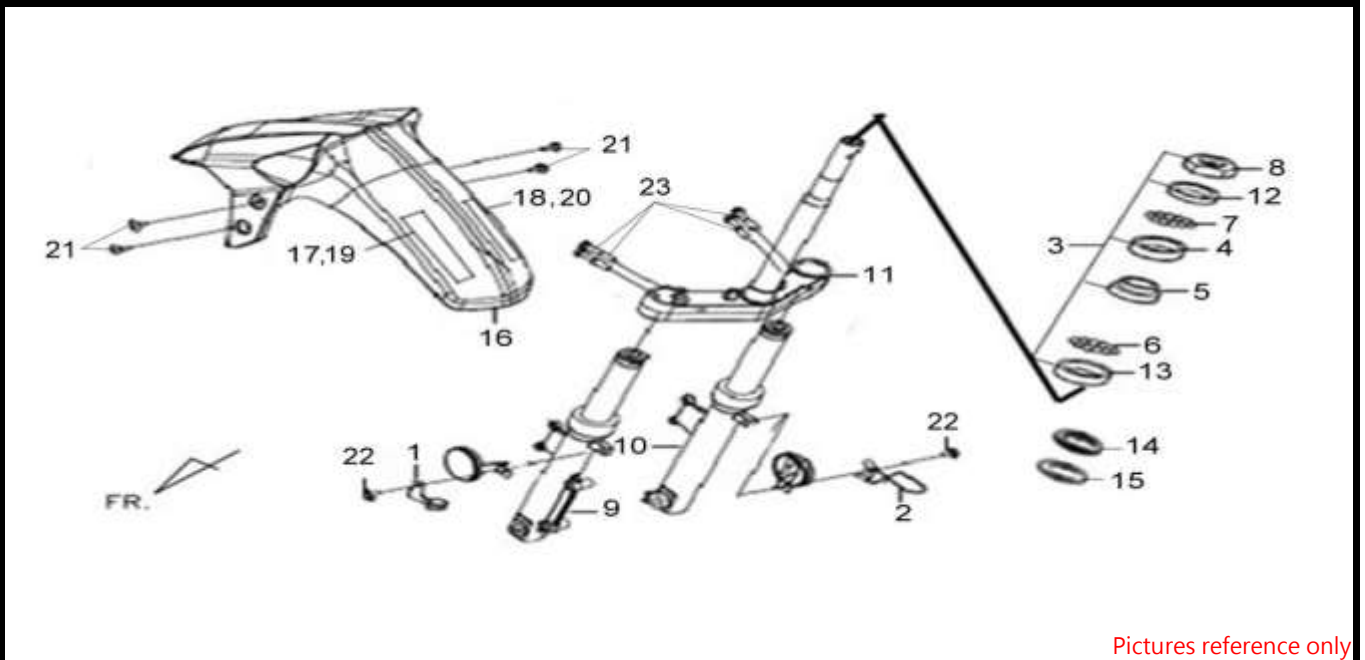
NO	PARTS NUMBER	DESCRIPTION	QTY	EFFECTIVE DATE
1.0	32162-H6T-000	CLIP 2*100	1	
2.0	33700-AEN-000	TAIL LIGHT COMP	1	
3.0	33701-AEN-000	TAIL LIGHT LENS	1	
4.0	34906-268-600	TAIL LIGHT & STOP BULB	1	
5.0	81200-AWU-000-K1	RR.CARRIER	1	
5.0	81200-AWU-000-WA	RR.CARRIER	1	
6.0	83500-AAA-000-KC	R. BODY COVER (BK007U)	1	
6.0	83500-AAA-000-WD	R. BODY COVER (WH8018P)	1	
6.0	83500-AAA-000-BU	R. BODY COVER(BU300S)	1	
7.0	83600-AAA-000-KC	L. BODY COVER (BK007U)	1	
7.0	83600-AAA-000-WD	L. BODY COVER (WH8018P)	1	
7.0	83600-AAA-000-BU	L. BODY COVER (BU300S)	1	
8.0	83750-AAA-000	RR CENTER COVER	1	
9.0	87127-AWU-000-T2	R.BODY COVER STRIPE	1	
10.0	87128-AEN-000	BODY COVER EMBLEM	2	
11.0	87128-AWU-000-T2	L.BODY COVER STRIPE	1	
12.0	87129-AWU-000-T2	R.BODY COVER STRIPE B	1	
13.0	87130-AWU-000-T2	R.BODY COVER STRIPE B	1	
14.0	87170-ATA-000	SYM STRIPE (WHITE)	2	
15.0	90105-ANA-000	SPECIAL BOLT 8MM	3	
16.0	93903-35240	TAPPING SCREW 5X12	4	
17.0	93903-35320	TAPPING SCREW 5X16	5	

●Please check the color & stripe information according to the color index !

2014/09

F08
FR FORK SET

AE12W9-CO (CROX 125R)

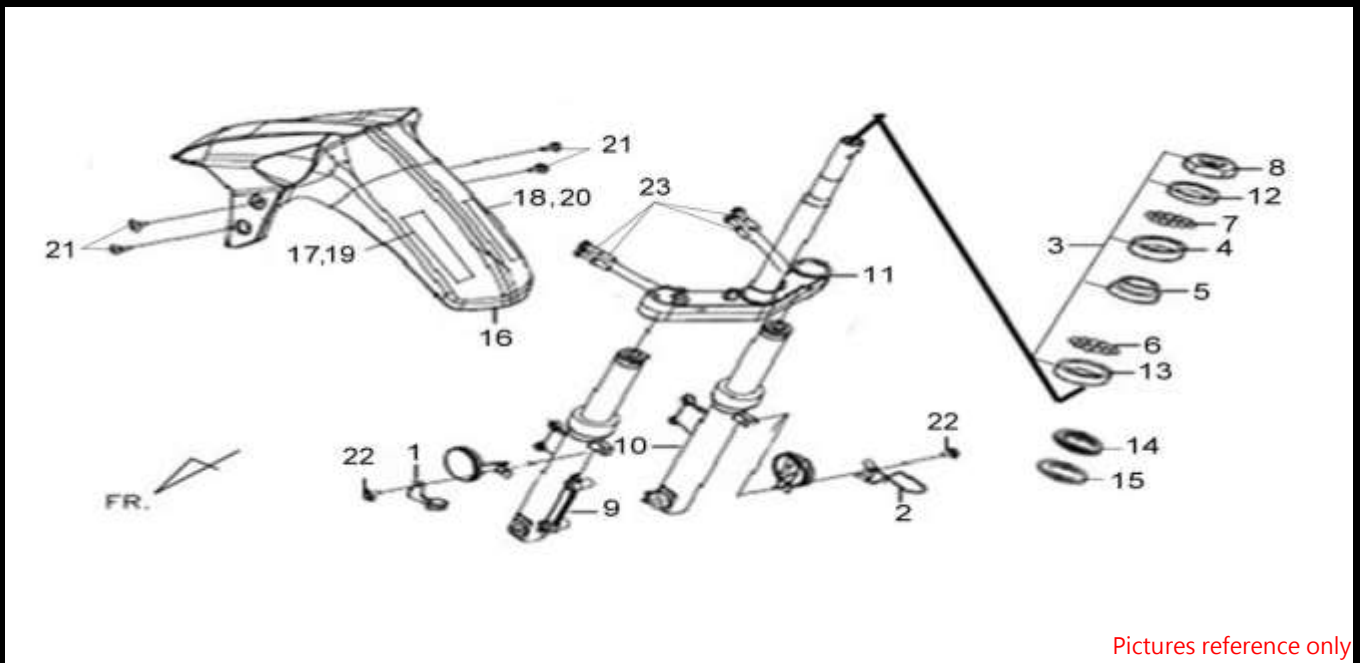


Pictures reference only

NO	PARTS NUMBER	DESCRIPTION	QTY	EFFECTIVE DATE
1.0	45156-AAA-000	FR. BRK. HOSE CLAMP	1	
2.0	45465-AAA-000	CABLE GUIDE	1	
3.0	50300-M9Q-A00	BALL RACE SET	1	
4.0	50301-M9Q-000-XS	STRG.UP BALL RACE	1	
5.0	50302-M9Q-000-XS	UNDER STRG.BALL RACE	1	
6.0	50303-AAA-000	UP STEEL BALLS AND RETAINER ASSY	1	
7.0	50304-AAA-000	LOWER STEEL BALLS AND RETAINER ASSY	1	
8.0	50306-M9Q-000-XS	STRG. STEM LOCK NUT	1	
9.0	51400-AWA-000	R.FR.CUSHION	1	
10.0	51500-AWA-000	L.FR.CUSHION ASSY	1	
11.0	53200-AAA-000	STRG STEM COMP	1	
12.0	53211-M9Q-000-XS	RACE STRG TOP CONE	1	
13.0	53212-M9Q-000-XS	RACE STRG BOTTOM CONE	1	
14.0	53214-M9Q-000	DUST SEAL STRG HANDLE	1	
15.0	53215-M9Q-000	STRG HEAD DUST SEAL WASHER	1	
16.0	61100-AWU-000-WD	FR FENDER (WH-8018P)	1	
16.0	61100-AWU-000-KC	FR FENDER (BK-007U)	1	
16.0	61100-AWU-000-AE	FR FENDER (GY-7450U)	1	
17.0	87125-AWU-000-T2	FR.FENDER R. STRIPE	1	
18.0	87126-AWU-000-T2	FR.FENDER L. STRIPE	1	
19.0	87131-AE1-000-T1	FR.FENDER R. STRIPE	1	
19.0	87131-AE1-000-T2	FR.FENDER R. STRIPE	1	
20.0	87132-AE1-000-T1	FR.FENDER L. STRIPE	1	
20.0	87132-AE1-000-T2	FR.FENDER L. STRIPE	1	
21.0	90164-M9Q-000	SCREW SPECIAL 6mm	4	

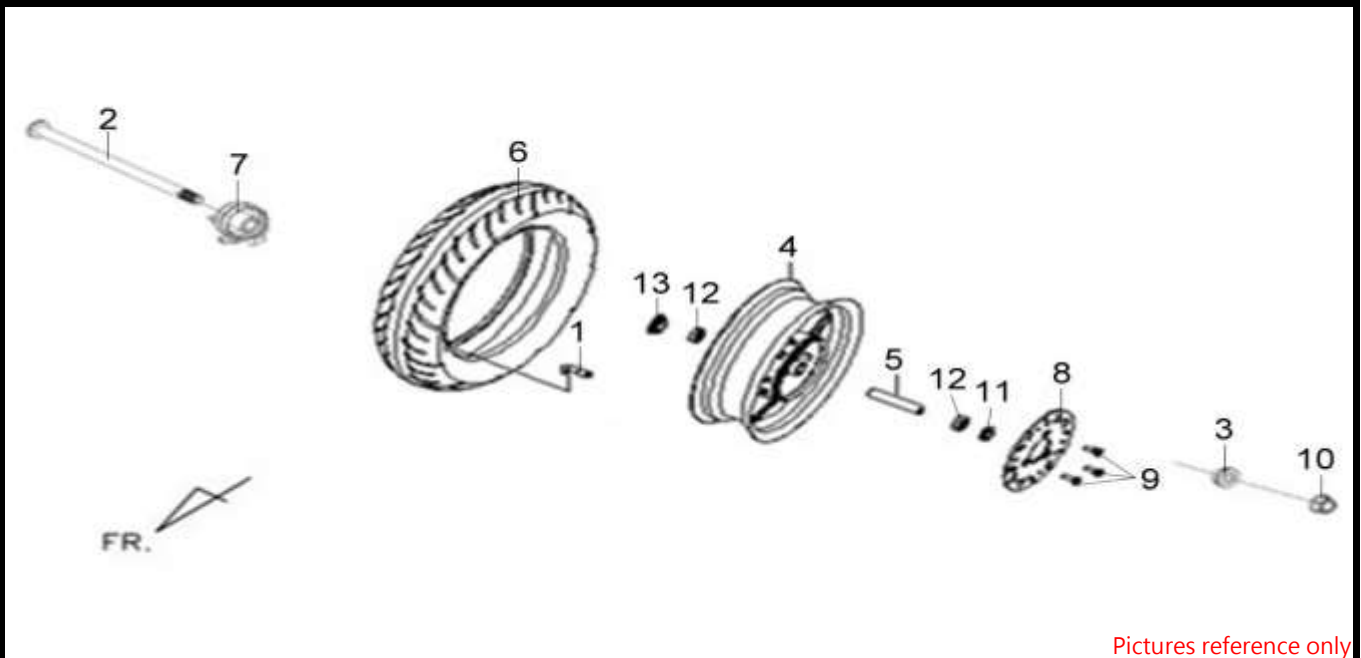
●Please check the color & stripe information according to the color index !

2014/09



Pictures reference only

NO	PARTS NUMBER	DESCRIPTION	QTY	EFFECTIVE DATE
22.0	93404-06016-00	WASHER BOLT 6X16	2	
23.0	95801-08040-00	FLANGE BOLT 8X40	4	

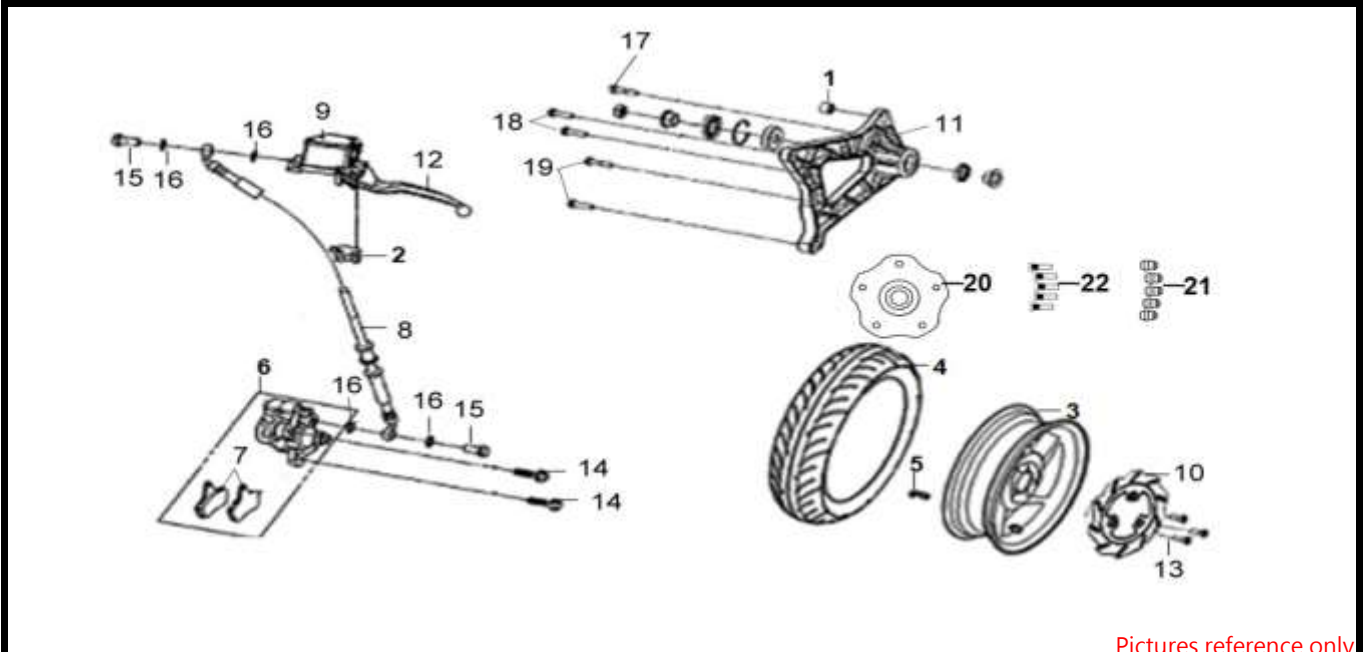


Pictures reference only

NO	PARTS NUMBER	DESCRIPTION	QTY	EFFECTIVE DATE
1.0	42753-ABA-000	VALVE RIM	1	
2.0	44301-AAA-000	FR WHEEL AXLE	1	
3.0	44311-AAA-000	COLLAR FR WHEEL SIDE	1	
4.0	44601-XFA-000-K	FR. WHEEL RIM COMP	1	
5.0	44620-AAA-000	FR. AXLE DISTANCE COLLAR	1	
6.0	44710-ANG-000	FR.TIRE SET	1	
7.0	44800-ATA-000-BT	SPEEDOMETER GEAR BOX	1	
8.0	45121-AWU-000-K	FR.BRAKE DISK	1	
9.0	90106-N02-000	FR. DISK BOLT 8*26	3	
10.0	90306-N7C-000	SELF LOCK NUT 12MM	1	
11.0	90754-M9Q-000-M2	DUST SEAL 20X32X5	1	
12.0	90912-M9Q-000-M1	BEARING 6201LU/2A	2	
13.0	91258-M9Q-000-M2	SPEEDOMETER GEAR BOX SEAL	1	

F10
RR. WHEEL

AE12W9-CO (CROX 125R)



Pictures reference only

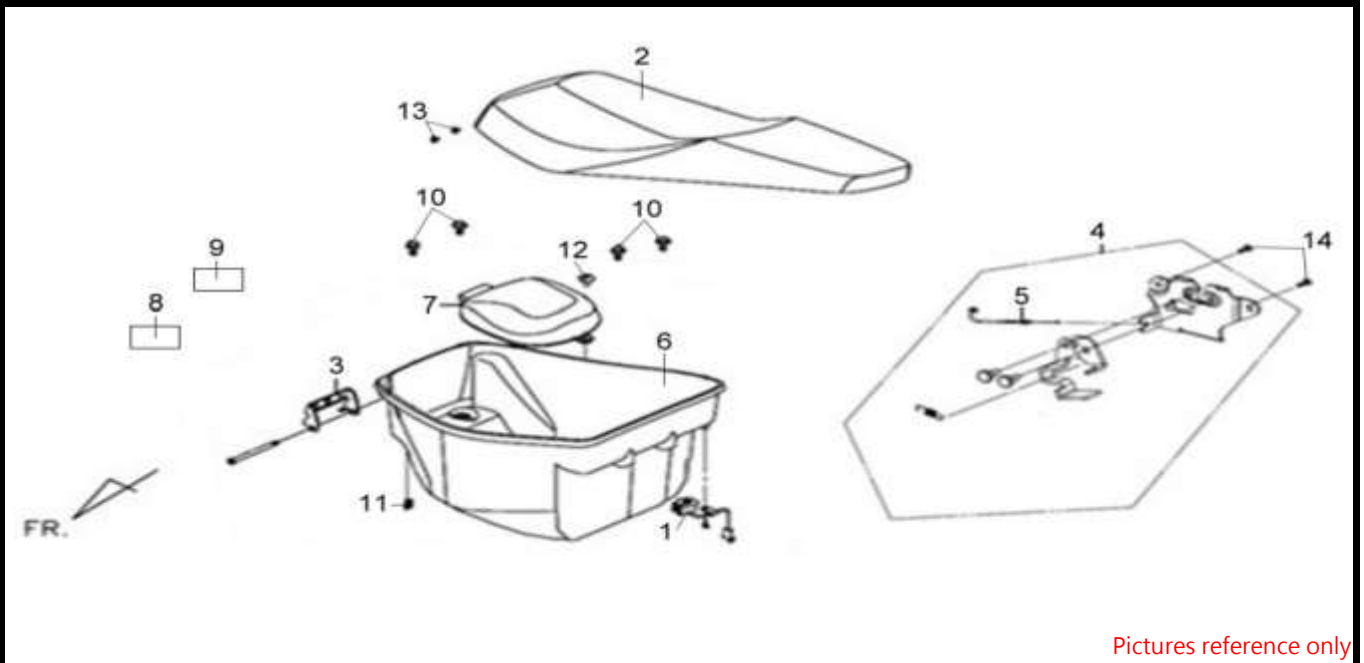
NO	PARTS NUMBER	DESCRIPTION	QTY	EFFECTIVE DATE
1.0	11203-GC7-300	RR. CUSH UND BUSH RUBBER	1	
2.0	35342-XDE-000	FR.STOP SW.CORD COMP.	1	
3.0	42601-XJA-000-K	RR.CAST WHEEL	1	
4.0	42710-ANG-000	RR.TIRE	1	
5.0	42753-ABA-000	VALVE RIM	1	
6.0	43100-XJA-000	RR. CALIPER ASSY	1	
7.0	43105-ARB-000-A	PAD SET	1	
8.0	43126-AE1-000	RR. BRAKE HOSE COMP	1	
9.0	43500-AE1-000	RR. M/C ASSY	1	
10.0	43121-XJA-000	RR.BRAKE DISK	1	
11.0	52100-AEF-000	RR. FORK	1	
12.0	53178-AE1-000	L. STRG. HANDLE LEVER	1	
13.0	90106-N02-000	RR. DISK BOLT 8*26	3	
14.0	90131-ARB-000	FLANGE BOLT 8X35	2	
15.0	90145-M9Q-000	OIL BOLT 10X22	2	
16.0	90545-M9Q-000	OIL BOLT WASHER	4	
17.0	95801-08035-07	FLANGE BOLT M8X35	1	
18.0	95801-08045-07	FLANGE BOLT 8X45	2	
19.0	95801-08064-08	FLANGE BOLT 8X64	2	
20.0	42602-XJA-000	RR. wheel hub	1	
21.0	90304-XJA-000	Wheel nut	5	
22.0	90103-KBN-900-H1	Wheel bolt	5	

●Please check the color & stripe information according to the color index !

2014/09

F11
LUGGAGE BOX

AE12W9-CO (CROX 125R)

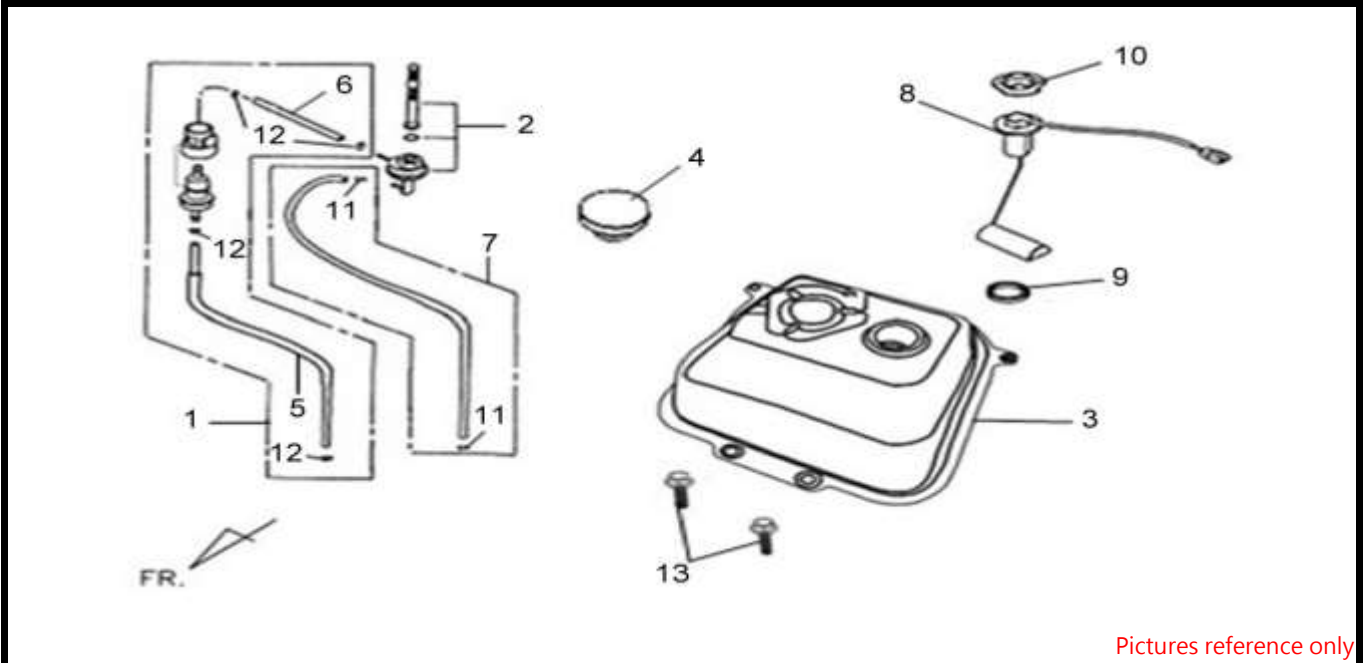


Pictures reference only

NO	PARTS NUMBER	DESCRIPTION	QTY	EFFECTIVE DATE
1.0	36600-A1A-010	ENG.START CONTROL SW	1	
2.0	77200-AWU-800-T1	DOUBLE SEAT COMP	1	
3.0	77201-AAA-000	SEAT HINGE COMP.	1	
4.0	77230-ALA-000	SEAT CATCH COMP.	1	
5.0	77240-ABA-000	SEAT LOCK CABLE COMP	1	
6.0	81250-AAA-000	LUGGAGE BOX	1	
7.0	81251-M9Q-000	CARBURETOR MAINTANT COVER	1	
8.0	87505-AWU-000	TIRE LABEL	1	
9.0	87560-XGA-000	DRIVE CAUTION MARK	1	
10.0	90115-ATA-000	FLANGE BOLT 6*16	4	
11.0	90302-M92-000	SPRING NUT 4MM	1	
12.0	90381-M9Q-000	SPECIAL SCREW 6X17	1	
13.0	94050-06020	FLANGE NUT 6MM	2	
14.0	95801-06012-08	FLANGE BOLT 6X12	2	

F12
FUEL TANK

AE12W9-CO (CROX 125R)

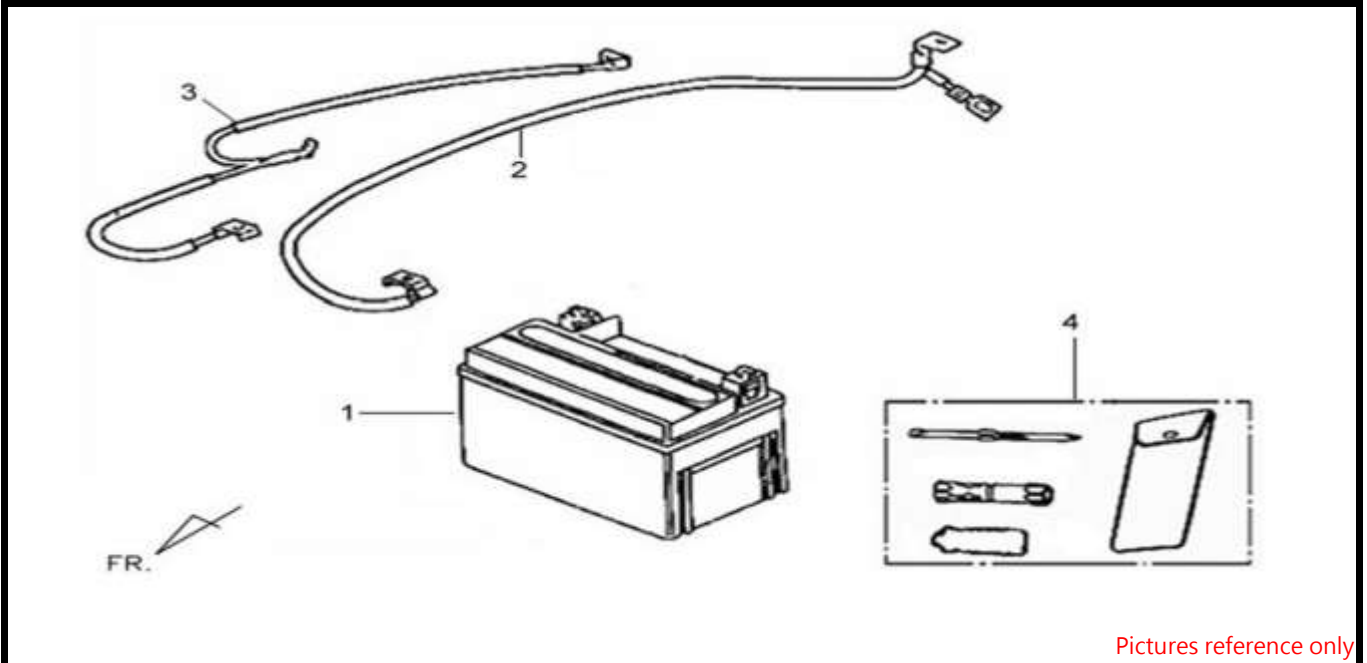


Pictures reference only

NO	PARTS NUMBER	DESCRIPTION	QTY	EFFECTIVE DATE
1.0	16905-ABA-000	FUEL STRAINER	1	
2.0	16950-M9Q-000	FUEL COCK ASSY	1	
3.0	17500-AE1-000	FUEL TANK COMP	1	
4.0	17620-S7A-A00	FUEL FILLER CAP COMP.	1	
5.0	17682-ABA-000	FUEL TUBE A	1	
6.0	17683-AAA-000	FUEL TANK TUBE	1	
7.0	17684-ABA-000	VACUUM TUBE	1	
8.0	37800-ABA-000	FUEL UNIT ASSY	1	
9.0	37801-M9Q-000	BASE PACKING	1	
10.0	37802-M9Q-000	RET. FUEL UNIT	1	
11.0	95002-02070	TUBE CLIP B7	2	
12.0	95002-02080	BREATHER TUBE CLIP B8	4	
13.0	95801-06012-07	FLANGE BOLT 6X12	2	

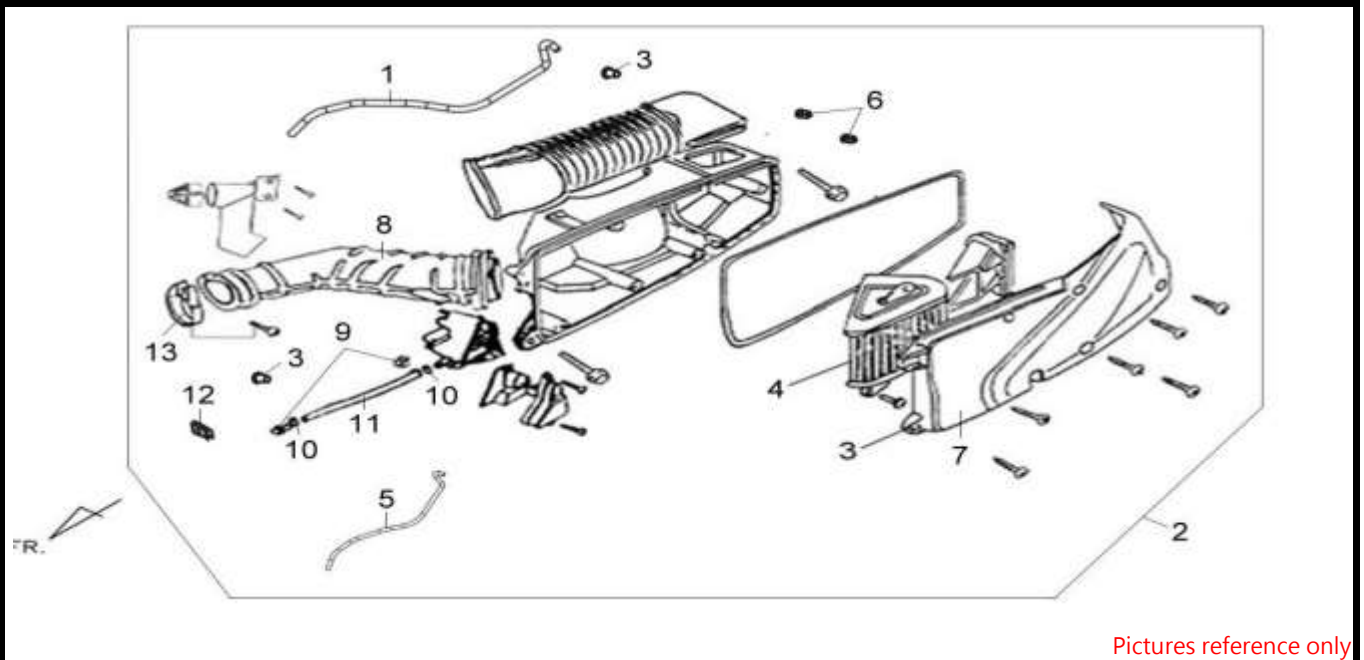
F13
BATTERY ASS'Y

AE12W9-CO (CROX 125R)



Pictures reference only

NO	PARTS NUMBER	DESCRIPTION	QTY	EFFECTIVE DATE
1.0	1Y01GY601-Y	BATTERY ASSY. YTX7A-BS	1	
2.0	32411-ABA-010	CABLE BATTERY	1	
3.0	32412-ABA-000	EARTH CABLE A	1	
4.0	89010-ANG-000	TOOL SET	1	

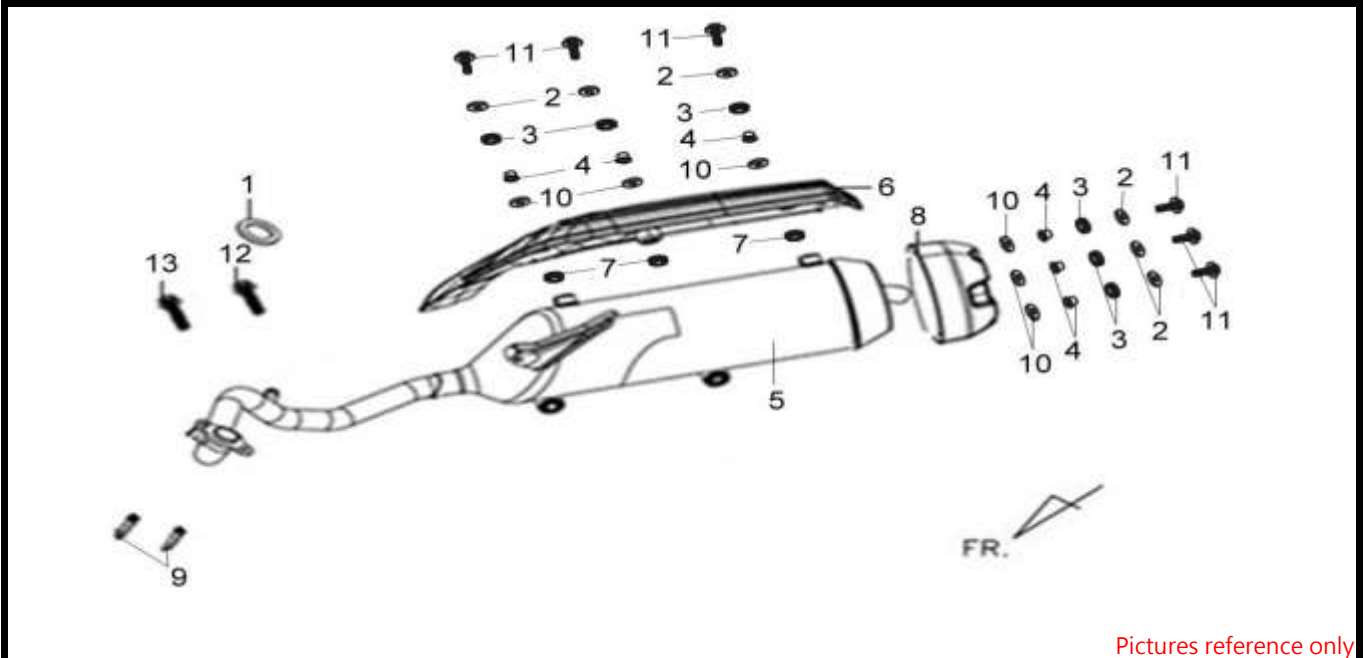


Pictures reference only

NO	PARTS NUMBER	DESCRIPTION	QTY	EFFECTIVE DATE
1.0	11211-ANL-020	BREATHER TUBE	1	
2.0	17200-ANM-000	AIR/C ASSY	1	
3.0	17208-M9Q-300	AIR CLEANER SET COLLAR	2	
4.0	17211-M9Q-000	AIR/C ELEMENT	1	
5.0	17216-ABA-000	AIR/C CASE DUCT	1	
6.0	17217-M9Q-300	INSERT NUT 5MM	2	
7.0	17231-ABA-010	AIR/C COVER COMP.	1	
8.0	17253-ABA-000	AIR/C CONN TUBE	1	
9.0	17370-M9Q-000	PLUG,BREATHER TUBE.	2	
10.0	17371-M9Q-000	BREATHER TUBE CLIP	2	
11.0	90303-H68-000	V TUBE 8*12*270	1	
12.0	90308-X04-000	SPECIAL NUT 5MM	1	
13.0	90652-M9Q-000	AIR/C CONN. TUBE BAND	1	

F15
EXH. MUFFLER

AE12W9-CO (CROX 125R)



Pictures reference only

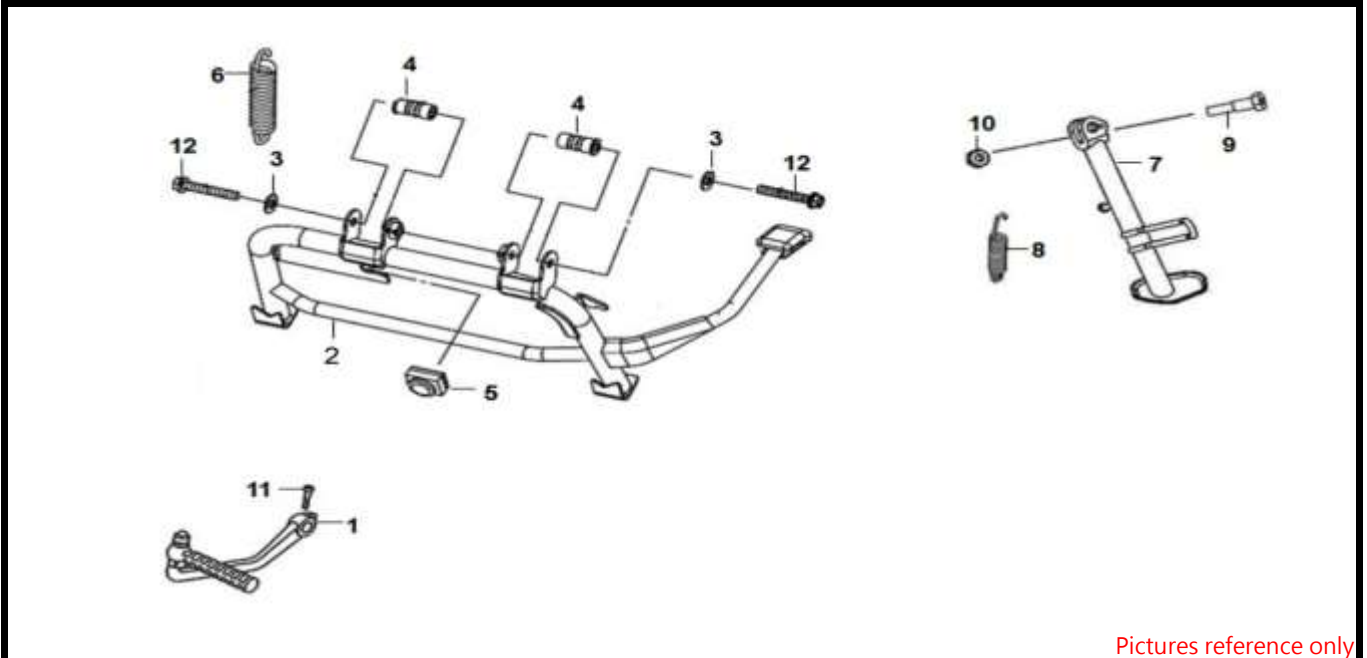
NO	PARTS NUMBER	DESCRIPTION	QTY	EFFECTIVE DATE
1.0	18291-M9Q-000	EXH. PIPE GASKET(26.2X33)	1	
2.0	18292-F3E-000	PROTECTOR PACKING A	6	
3.0	18293-F7S-000	PROTECTOR PACKING B	6	
4.0	18295-F3E-000	COLLAR M6	6	
5.0	18300-AE1-000	EXH. MUFFLER COMP.	1	
6.0	18318-HE1-000	MUFF.PROTECTOR	1	
7.0	18320-F3E-000	PROTECTOR RUBBER	3	
8.0	18328-HE1-000	MUFFLER REAR PROTECTOR	1	
9.0	90043-HMA-000	CAP NUT	2	
10.0	90555-AMA-000	WASHER	6	
11.0	95801-06022-07	FLANGE BOLT 6X22	6	
12.0	95801-08045-07	FLANGE BOLT 8X45	1	
13.0	95801-08055-07	FLANGE BOLT 8X55	1	

●Please check the color & stripe information according to the color index !

2014/09

F16
MAIN STAND

AE12W9-CO (CROX 125R)

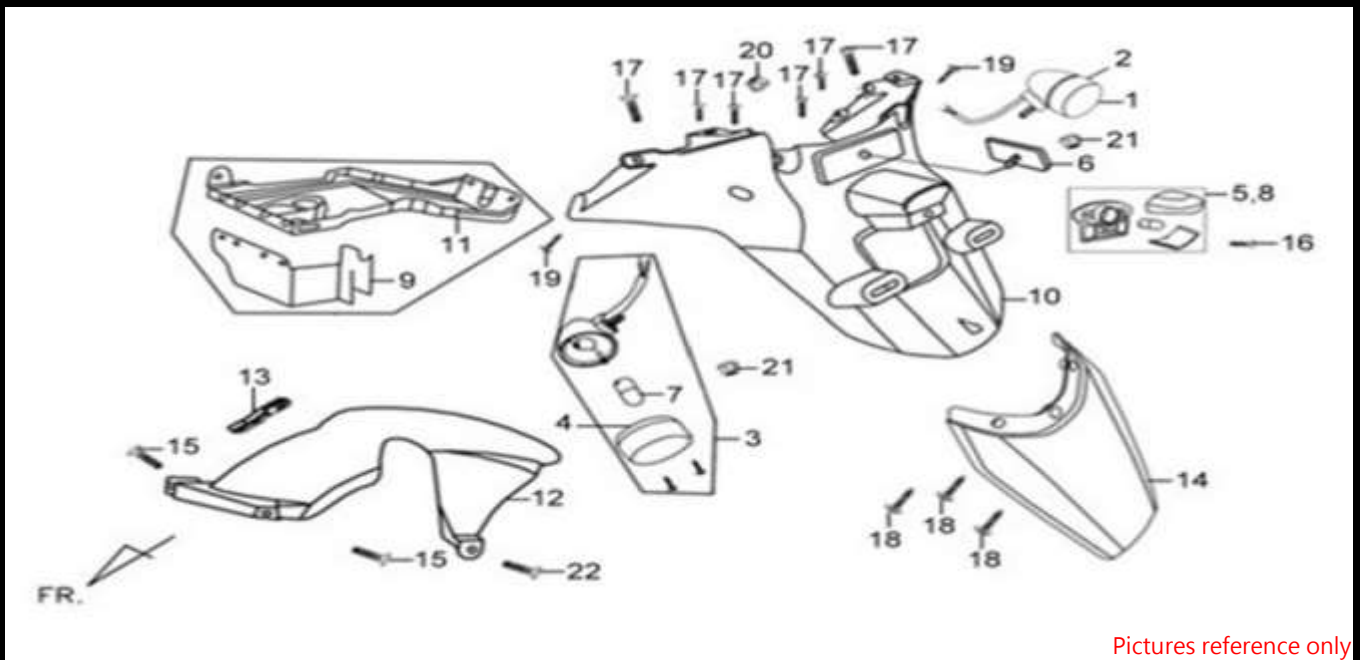


Pictures reference only

NO	PARTS NUMBER	DESCRIPTION	QTY	EFFECTIVE DATE
1.0	28300-F6C-000	KICK STARTER ARM	1	
2.0	50500-ANA-000	MAIN STAND COMP	1	
3.0	50503-F6B-000	MAIN STAND WASHER	2	
4.0	50504-Z6A-000	MAIN STAND COLLAR	2	
5.0	50506-ABA-000	STAND STOP RUBBER A	1	
6.0	5052A-APA-000	MAIN STAND SPRING	1	
7.0	50530-ABA-000	SIDE STAND COMP	1	
8.0	50533-Z7C-000	SIDE STAND SPRING	1	
9.0	90108-AAG-000	SIDE STAND PIVOT SCREW BOLT	1	
10.0	94030-08000	HEX NUT 8MM	1	
11.0	95801-06022-07	FLANGE BOLT 6X22	1	
12.0	95801-08050-07	FLANGE BOLT 8X50	2	

F17
RR. MUDGUARD

AE12W9-CO (CROX 125R)

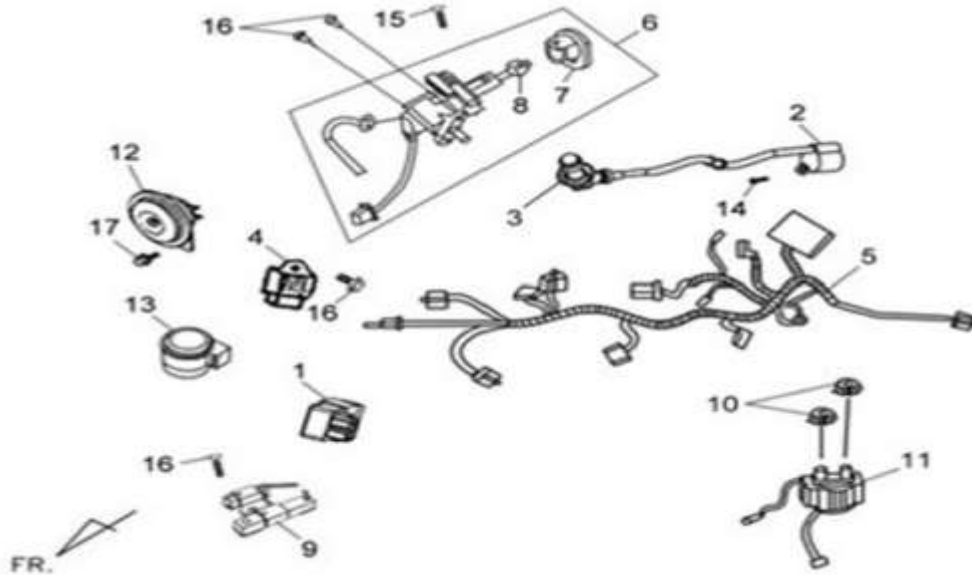


Pictures reference only

NO	PARTS NUMBER	DESCRIPTION	QTY	EFFECTIVE DATE
1.0	33600-AEM-000	R. RR. WINKER ASSY	1	
2.0	33601-AEM-000	R.RR.WINKER LENS	1	
3.0	33650-AEM-000	L. RR. WINKER ASS'Y	1	
4.0	33651-AEM-000	L.RR.WINKER LENS	1	
5.0	33740-ABA-000	LICENSE LIGHT ASSY	1	
6.0	33741-N7B-E10	RR. FEFLEX REFLECTOR	1	
7.0	34905-M70-000	WINKER BULB RR 12V10W(E)	2	
8.0	34908-M9Q-100	POSITION BULB 12V-5W (E)	1	
9.0	80104-ABA-000	SPLASH GUARD PLATE	1	
10.0	80105-ABA-000	RR. FENDER	1	
11.0	80106-AE1-000	RR INNER FENDER	1	
12.0	80107-AWR-000	RR MUDGUARD	1	
13.0	80109-ANA-000	RR.MDUGUARD STAY	1	
14.0	80110-AE3-000	RR FENDER MUDGUARD	1	
15.0	90111-M9Q-800	FLANGE BOLT 6MM	2	
16.0	93891-05014-07	SCREW WASHER 5X14	1	
17.0	93903-35220	SCREW TAPPING 5X12	6	
18.0	93903-35280	TAPPING SCREW 5X12	3	
19.0	93903-44380	TAPPING SCREW 4X12	2	
20.0	94050-05070	FLANGE NUT 5MM	1	
21.0	94050-05080	FLANGE NUT 5MM	2	
22.0	95801-06012-08	FLANGE BOLT 6X12	1	

F18
WIRE HARNESS

AE12W9-CO (CROX 125R)



Pictures reference only

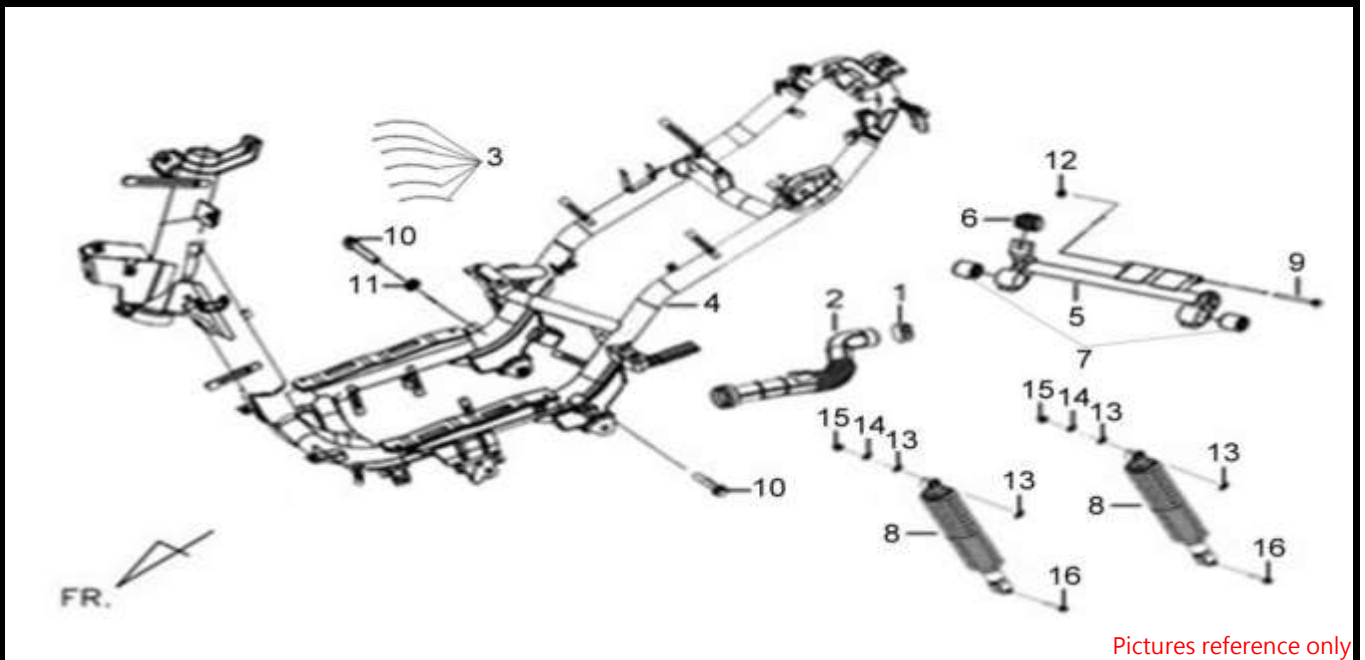
NO	PARTS NUMBER	DESCRIPTION	QTY	EFFECTIVE DATE
1.0	30410-M92-000	CDI UNIT ASSY	1	
2.0	3051A-T7A-000	IGN.COIL ASSY	1	
3.0	30700-T7A-A00	NOISE SUPPERSOR CAP ASSY	1	
4.0	31600-ZDA-000	REG.REC.COMP	1	
5.0	32100-AEL-010	WIRE HARNESS	1	
6.0	35010-ABA-000	KEY SET	1	
7.0	35110-ABA-000	RING	1	
8.0	35111-A8D-000-A	KEY	1	
9.0	35400-T3D-A00	RESISTOR COMP	1	
10.0	35859-M9Q-000	STAR MAG. SW NUT	2	
11.0	3585A-35A-A00	START MAG. SW.	1	
12.0	38110-ABA-000	HORN COMP	1	
13.0	38300-T40-010	WINKER RELAY ASSY	1	
14.0	90112-AAA-000	FLANGE BOLT 5*22	1	
15.0	93891-05010-08	WASHER SCREW 5X10	1	
16.0	95801-06016-07	FLANGE BOLT 6X16	2	
17.0	95801-08012-07	FLANGE BOLT 8X12	1	

●Please check the color & stripe information according to the color index !

2014/09

F19
FRAME BODY

AE12W9-CO (CROX 125R)



Pictures reference only

NO	PARTS NUMBER	DESCRIPTION	QTY	EFFECTIVE DATE
1.0	11346-ABA-000	L COVER DUCT BAND	1	
2.0	1134B-ABA-000	L.COVER DUCT ASSY	1	
3.0	32161-APA-000	WIRE HARNESS BAND 300MM	6	
4.0	50100-AE1-000	FRAME BODY	1	
5.0	50351-ANA-010	ENG.HANGER LINK	1	
6.0	50352-A1A-000	LIN STOPPER RUBBER	1	
7.0	50353-M9Q-000	SWING LOCK BUSH	2	
8.0	52400-AWR-000-K	RR.CUSHION	2	
9.0	90105-ARA-000	FLANGE BOLT 10*191	1	
10.0	90106-ABA-000	FLANGE BOLT 10*55	2	
11.0	90121-M9Q-000	DISTANCE COLLAR	1	
12.0	90304-AAA-000	FLANGE U NUT 10MM	1	
13.0	90555-B04-000	WASHER 12MM	4	
14.0	94050-10040	FLANGE NUT 10MM	2	
15.0	94101-10000	PLAIN WASHER 10MM	2	
16.0	95801-08035-00	FLANGE BOLT M8X35	2	

●Please check the color & stripe information according to the color index !

2014/09

PARTS NO.	NO.	PARTS NO.	NO.	PARTS NO.	NO.
11100-ARA-000	E04	14451-ANL-000	E02	18293-F7S-000	F15
11102-M9Q-300	E12	14452-ANL-000	E02	18295-F3E-000	F15
11102-M9Q-300	E04	14457-ANL-000	E03	18300-AE1-000	F15
11192-F6C-000	E12	14510-F8A-000	E03	18318-HE1-000	F15
11200-ANA-010	E12	14520-M9Q-000	E05	18320-F3E-000	F15
11202-M92-000	E12	14523-GY6-900	E05	18328-HE1-000	F15
11203-AFA-000	E11	14531-M9Q-000	E12	18601-MJ1-790	E02
11203-GC7-300	F10	1453A-M92-000	E12	18612-GY6-A00	E02
11203-GC7-300	E12	14610-F8A-000	E03	18645-M9Q-000	E02
11204-ABA-000	E12	14711-F8A-000	E02	18647-F6S-000	E02
11205-F6A-300	E04	14721-F8A-000	E02	1865A-ANL-000	E02
11211-ANL-020	F14	14751-ARA-000	E02	18670-S6N-000	E14
11221-ABA-000	E11	14771-F6C-A00	E02	19510-F6A-010	E07
11331-ARB-000	E06	14781-A01-A00	E02	1961A-ANL-000	E01
11341-ANA-000-K1	E08	15100-F6C-000-XS	E04	19625-F8A-000	E01
11342-ANA-000	E08	15133-F6C-000	E04	19626-F8A-000	E01
11343-ANA-000	E08	15421-H66-000	E06	1962A-ANL-000	E01
11346-ABA-000	F19	15426-GE1-920	E06	19635-ANL-000	E01
1134B-ABA-000	F19	1565A-F6A-000	E06	1963A-ANL-000	E01
11360-M92-300	E08	15711-M92-000	E04	1B01ANA01	E09
11394-F6C-000	E06	16100-ANM-000	E14	1C14401-M92-000	E03
11395-ANA-000	E08	16201-ANL-010	E02	1PCR7HSA-3	E02
12100-ARA-000	E05	16211-ANL-010	E02	1Y01GY601-Y	F13
12100-ARA-000-A-XS	E05	16905-ABA-000	F12	21200-A6A-000	E11
12191-F6C-000	E05	16950-M9Q-000	F12	21395-ABA-000	E11
12200-ANL-000	E02	1711A-ANM-000	E14	22101-M9Q-000	E10
12209-H6B-900	E02	17200-ANM-000	F14	22102-M92-000	E09
12237-F6A-300	E02	17208-M9Q-300	F14	22105-M92-000	E09
12251-H7A-000	E02	17211-M9Q-000	F14	22110-H5B-000	E09
12302-ANL-000	E02	17216-ABA-000	F14	2211A-ARA-000	E09
12308-F6C-000	E02	17217-M9Q-300	F14	22121-HKE-000-A	E09
12310-A61-000	E02	17231-ABA-010	F14	22131-M92-000	E09
1236A-M9T-000	E06	17253-ABA-000	F14	22132-ARA-000-A	E09
12391-F8A-000	E02	17256-M9Q-000	E14	22300-F6C-000	E10
13000-ANL-000	E13	17370-M9Q-000	F14	22350-HKE-000	E10
13010-U3A-000	E05	17371-M9Q-000	F14	22361-M9Q-000	E10
13101-ANL-000	E05	17500-AE1-000	F12	22401-H6T-000	E10
13111-ARA-000	E13	17620-S7A-A00	F12	22804-M9Q-000	E10
13201-ARA-000	E13	17682-ABA-000	F12	23010-F6C-000	E10
13381-M92-300	E13	17683-AAA-000	F12	23200-HKE-000	E10
14100-ANL-000	E03	17684-ABA-000	F12	23210-HKE-000	E10
14105-F6A-000	E03	17910-AEL-000	F03	23220-HKE-000	E10
14311-F6A-300	E13	18241-F6S-000	E01	23225-HKE-000	E10
14439-F8A-000	E02	18291-M9Q-000	F15	23226-M9Q-000	E10
1443A-ANL-000	E02	18292-F3E-000	F15	23233-M9Q-000	E10

PARTS NO.	NO.	PARTS NO.	NO.	PARTS NO.	NO.
23237-M9Q-000	E10	33601-AEM-000	F17	44830-XDE-000	F02
23238-HKE-000	E10	33650-AEM-000	F17	45100-ATA-000-R	F04
23411-ANL-000	E11	33651-AEM-000	F17	45105-APA-000-A	F04
23420-ANL-010	E11	33700-AEN-000	F07	45121-AWU-000-K	F09
23431-AR1-000	E11	33701-AEN-000	F07	43121-XJA-000	F10
23432-ANL-000	E11	33740-ABA-000	F17	45126-AWU-000	F04
2343A-AES-000	E11	33741-N7B-E10	F17	45156-AAA-000	F08
28101-M9Q-000	E04	34901-X06-000	F01	45465-AAA-000	F08
28102-GY6-900	E04	34905-M70-000	F17	45500-AE1-000-R	F04
28110-M9Q-000	E04	34905-M70-000	F01	50100-AE1-000	F19
28120-M9Q-000	E04	34906-268-600	F07	50180-AWU-000	F05
28124-H6T-000	E04	34906-ABF-000	F01	50300-M9Q-A00	F08
28125-M92-000	E04	34908-M9Q-100	F17	50301-M9Q-000-XS	F08
28126-M9Q-000	E04	35010-ABA-000	F18	50302-M9Q-000-XS	F08
2812A-H6T-900	E04	35110-ABA-000	F18	50303-AAA-000	F08
28230-H6T-000	E08	35111-A8D-000-A	F18	50304-AAA-000	F08
28233-M92-000	E08	35150-XDE-000	F03	50306-M9Q-000-XS	F08
28250-ARA-000	E08	35200-AEN-000	F03	50326-AAA-000	F06
28254-M92-000	E08	35342-XDE-000	F04	50351-ANA-010	F19
28258-HEB-000	E08	35342-XDE-000	F10	50352-A1A-000	F19
28281-ARA-000	E08	35400-T3D-A00	F18	50353-M9Q-000	F19
28300-F6C-000	F16	35859-M9Q-000	F18	50500-ANA-000	F16
30410-M92-000	F18	3585A-35A-A00	F18	50503-F6B-000	F16
3051A-T7A-000	F18	36600-A1A-010	F11	50504-Z6A-000	F16
30700-T7A-A00	F18	37200-AWU-000	F02	50506-ABA-000	F16
31110-X1A-000	E07	37212-AJF-000	F02	5052A-APA-000	F16
31120-X1A-000	E07	37800-ABA-000	F12	50530-ABA-000	F16
31200-F6C-000	E12	37801-M9Q-000	F12	50533-Z7C-000	F16
31600-ZDA-000	F18	37802-M9Q-000	F12	50612-APA-000	F06
32100-AEL-010	F18	38110-ABA-000	F18	50613-ABF-000	F06
32161-APA-000	F19	38300-T40-010	F18	51400-AWA-000	F08
32162-H6T-000	F07	42601-XJA-000-K	F10	51500-AWA-000	F08
32411-ABA-010	F13	42710-ANG-000	F10	52100-AEF-000	F10
32412-ABA-000	F13	42753-ABA-000	F09	52400-AWR-000-K	F19
32961-ARA-000	E06	42753-ABA-000	F10	53100-AWU-000-GY	F03
33100-AEM-000	F01	43100-XJA-000	F10	53104-N5G-B00	F03
33107-A7A-000	F01	43105-ARB-000-A	F10	53125-CT1C-A00	F02
33140-AEM-000	F01	43126-AE1-000	F10	53131-AWU-000	F03
33145-AWU-000	F01	43500-AE1-000	F10	53132-AWU-000	F03
33146-AWU-000	F01	44301-AAA-000	F09	53140-N7K-000	F03
33400-AEM-000	F01	44311-AAA-000	F09	53166-N7K-000	F03
33401-AEM-000	F01	44601-XFA-000-K	F09	53170-AWU-000	F04
33450-AEM-000	F01	44620-AAA-000	F09	53178-AE1-000	F10
33451-AEM-000	F01	44710-ANG-000	F09	53200-AAA-000	F08
33600-AEM-000	F17	44800-ATA-000-BT	F09	53201-AWU-000	F02

PARTS NO.	NO.	PARTS NO.	NO.	PARTS NO.	NO.
53205-AWU-000-AE	F03	81250-AAA-000	F11	90034-ABA-000	E02
53205-AWU-000-KC	F03	81251-M9Q-000	F11	90034-HMA-000	E02
53205-AWU-000-WD	F03	83500-AAA-000-BU	F07	90043-HMA-000	F15
53207-B9A-000-BU	F02	83500-AAA-000-KC	F07	90083-B12-000	E03
53207-B9A-000-KC	F02	83500-AAA-000-WD	F07	90103-KN8-000	E12
53207-B9A-000-WD	F02	83600-AAA-000-BU	F07	90105-ANA-000	F07
53208-AWU-000	F03	83600-AAA-000-KC	F07	90105-ARA-000	F19
53209-AWU-000	F03	83600-AAA-000-WD	F07	90106-AAA-000	F02
53211-M9Q-000-XS	F08	83750-AAA-000	F07	90106-ABA-000	F19
53212-M9Q-000-XS	F08	87123-AE1-000-T1	F05	90106-N02-000	F09
53214-M9Q-000	F08	87123-AE1-000-T2	F05	90106-N02-000	F10
53215-M9Q-000	F08	87123-AWU-000-T2	F05	90108-AAG-000	F16
53231-AWU-000	F02	87124-AWU-000-T2	F05	90109-42128	F05
53231-AWU-000	F03	87125-AWU-000-T2	F08	90109-42168	F06
61100-AWU-000-AE	F08	87126-AWU-000-T2	F08	90110-AWU-000	F03
61100-AWU-000-KC	F08	87127-AWU-000-T2	F07	90111-AAA-000	F06
61100-AWU-000-WD	F08	87128-AEN-000	F07	90111-AWU-000	F05
64301-AWU-000-BU	F05	87128-AWU-000-T2	F07	90111-M9Q-800	F17
64301-AWU-000-KC	F05	87129-AWU-000-T2	F07	90112-AAA-000	F18
64301-AWU-000-WD	F05	87130-AWU-000-T2	F07	90115-ATA-000	F11
64302-AWU-000	F05	87131-AE1-000-T1	F08	90115-G02-000	F06
64303-AWU-000-AE	F01	87131-AE1-000-T2	F08	90121-M9Q-000	F19
64303-AWU-000-KC	F01	87131-AER-000-T2	F05	90131-ARB-000	F10
64303-AWU-000-WD	F01	87132-AE1-000-T1	F08	90145-M9Q-000	F04
64307-ABA-000	F03	87132-AE1-000-T2	F08	90145-M9Q-000	F10
64310-ABF-000	F06	87132-AER-000-T2	F05	90164-M9Q-000	F05
64318-ALA-000-BK	F05	87133-AER-000-T1	F05	90164-M9Q-000	F08
77200-AWU-800-T1	F11	87133-AER-000-T2	F05	90201-GY6-900	E04
77201-AAA-000	F11	87134-AER-000-T1	F05	90202-M9Q-000	E10
77230-ALA-000	F11	87134-AER-000-T2	F05	90206-HLK-000	E02
77240-ABA-000	F11	87170-AEL-000	F03	90301-M9Q-900	F02
80104-ABA-000	F17	87170-AKA-A00-T1	F05	90302-M92-000	F06
80105-ABA-000	F17	87170-AKA-A00-T2	F05	90302-M92-000	F11
80106-AE1-000	F17	87170-ATA-000	F07	90303-H68-000	F14
80107-AWR-000	F17	87505-AWU-000	F11	90304-AAA-000	F02
80109-ANA-000	F17	87560-XGA-000	F11	90304-AAA-000	F19
80110-AE3-000	F17	88110-Z8H-000	F03	90306-N7C-000	F09
80151-AAA-000	F06	88120-Z8H-000	F03	90308-X04-000	F06
81131-ABF-000	F05	89010-ANG-000	F13	90308-X04-000	F14
81132-H12-000	F06	90001-M9Q-000	E05	90381-M9Q-000	F11
81132-M7Q-000	F05	90002-ANL-000	E02	90401-ANL-000	E11
81133-ABA-000	F05	90002-M9Q-000	E04	90403-M92-000	E04
81133-H12-000	F06	90012-M9Q-000	E02	90440-166-000	E07
81200-AWU-000-K1	F07	90031-M2Q-000	E05	90440-166-000	E09
81200-AWU-000-WA	F07	90032-A6A-000	E05	90440-166-000	E10

PARTS NO.	NO.	PARTS NO.	NO.	PARTS NO.	NO.
90451-M7Q-000	E08	93903-35220	F17	95801-08035-07	F10
90452-M9Q-000	E08	93903-35240	F02	95801-08040-00	F08
90474-333-000-KD	E12	93903-35240	F02	95801-08045-07	F15
90545-M9Q-000	F04	93903-35240	F06	95801-08045-07	F10
90545-M9Q-000	F10	93903-35240	F07	95801-08050-07	F16
90555-AMA-000	F15	93903-35240	F05	95801-08055-07	F15
90555-B04-000	F19	93903-35280	F17	95801-08064-08	F10
90555-T3A-A00	F03	93903-35320	F07	96001-06012-08	E04
90602-N01-000	E04	93903-44380	F17	96001-06016-08	E03
90605-166-720	E10	93903-45320	F05	96001-06016-08	E12
90652-M9Q-000	F14	93904-35380	E01	96001-06018-08	E07
90703-M8Q-000	E11	94030-08000	F16	96001-06025-08	E01
90703-M8Q-000	E05	94050-05070	F17	96001-06028-00	E08
90703-M8Q-000	E12	94050-05080	F17	96001-06028-08	E07
90754-M9Q-000-M2	F09	94050-06000	E14	96001-06030-08	E06
90912-M9Q-000-M1	F09	94050-06020	F11	96001-06045-08	E04
91001-F6A-300	E13	94050-08080	E02	96001-06055-08	E04
91001-GY6-900-M1	E10	94050-10040	F19	96001-06095-08	E06
91001-H6B-300	E13	94050-12000	E07	96001-06095-08	E02
91002-GA7-701	E10	94050-12000	E09	96001-06100-08	E06
91003-M8Q-000	E11	94050-12000	E10	96100-62033-10	E11
91101-M9Q-000	E13	94101-10000	F19	96100-63013-00	E11
91104-KN7-670	E11	94103-06400	F02	96150-62043-10	E11
91104-M9Q-000	E04	94109-12000	E12	96700-06012-08	F05
91105-M9Q-000	E04	94301-08140	E06	96700-06022-00	F04
91201-HHA-300	E11	94301-08140	E12	96700-06025-07	F03
91201-M9Q-300-M1	E04	94510-25000	E11		
91202-A6A-000	E09	94511-14000	E08	ADD	
91202-KJ9-003	E11	94520-28000	E10	22121-AEN-000-A	E09
91211-M8Q-000	E10	94601-15000	E13	42602-XJA-000	F10
91258-M9Q-000-M2	F09	95002-02070	E14	90304-XJA-000	F10
91302-M9Q-000	E06	95002-02070	F12	90103-KBN-900-H1	F10
91304-M9Q-000	E12	95002-02080	F12		
91305-M9Q-000	E02	95005-35050-50	E14		
91307-035-000	E06	95701-06025-00	E02		
91384-M9Q-000	E10	95701-06045-00	E02		
92101-05012-0A	E07	95801-06012-07	F12		
92800-12000	E12	95801-06012-08	F02		
93404-06016-00	F06	95801-06012-08	F11		
93404-06016-00	F08	95801-06012-08	F17		
93500-05012-0H	E08	95801-06016-07	F18		
93600-06025-0H	E04	95801-06022-07	F16		
93891-05010-08	F18	95801-06022-07	F15		
93891-05014-07	F17	95801-08012-07	F18		
93903-34340	F01	95801-08035-00	F19		