



**CATALOGO DE PARTES**  
**SYM CROX 125**

AE12W8



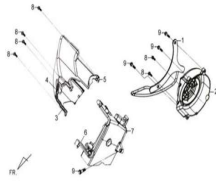
LO QUE TE MUEVE

N O	MODEL	AE12W8-CO(CROX 125)			
	DATE	2014/09	2014/09	2014/09	
	BASIC COLOR	KC	WD	RIKG	
	COLOR CODE	BK-007U	WH-8018P	R-086/BK-5560S	
	Description	Parts Number	BLACK	WHITE	RED/BLACK
1	L. SIDE COVER COMP	11341-ANA-000	K1	K1	K1
2	FR. WHEEL RIM COMP	44601-XFA-000	K	K	K
3	RR.CAST WHEEL	42601-XGA-000	K	K	K
4	FR.R.CUSHION	51400-ATA-000	K	K	K
5	FR.L.CUSHION	51500-ATA-000	K	K	K
6	FR.HANDLE COVER	53205-AWU-000	KC	WD	KG
7	HANDLE MARK	87170-AEL-000	●	●	●
8	FR FENDER	61100-AWU-000	KC	WD	KG
9	FR.FENDER R. STRIPE	87131-AE1-000	T1	T2	T3
10	FR.FENDER L. STRIPE	87132-AE1-000	T1	T2	T3
11	METER VISOR A	53207-B9A-000	KC	WD	RI
12	RR.CUSHION ASSY	52400-ABA-010	●	●	●
13	FR.COVER	64301-AWU-000	KC	WD	RI
14	FR. COVER L. STRIPE A	87123-AE1-000	T1	T2	T3
15	FR. COVER R. STRIPE	87133-AEL-000	T1	T2	T3
16	FR. COVER L. STRIPE	87134-AEL-000	T1	T2	T3
17	SYM STRIPE	87170-AKA-A00	T1	T2	T1
18	FR. COVER EMBLEM	64302-AWU-000	●	●	●
19	FR. TOP COVER	64303-AWU-000	KC	WD	KG
20	DOUBLE SEAT COMP	77200-AWU-800	T1	T1	T1
21	RR.CARRIER	81200-AWU-000	K1	WA	K1
22	R. BODY COVER	83500-AAA-000	KC	WD	RI
23	BODY COVER EMBLEM	87128-AEN-000	●	●	●
24	L. BODY COVER	83600-AAA-000	KC	WD	RI
25	BODY COVER EMBLEM	87128-AEN-000	●	●	●
26	SYM STRIPE	87170-ATA-000	●	●	●
27	R. BACK MIRROR	88110-Z8H-000	●	●	●
28	L. BACK MIRROR	88120-Z8H-000	●	●	●

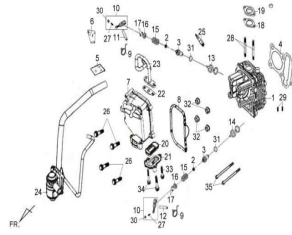
# 引擎部品目錄

## CONTENTS-ENGINE GROUP

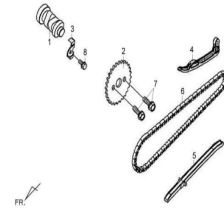
**E01 SHROUD ASSY**



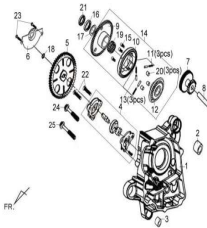
**E02 CYLINDER HEA**



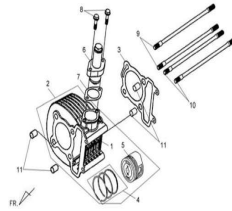
**E03 CAM SHAFT&CY**



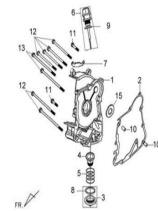
**E04 R CRANK CASE**



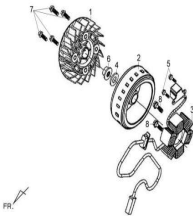
**E05 CYLINDER**



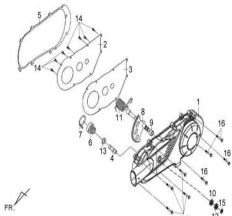
**E06 R. CRANK CAS**



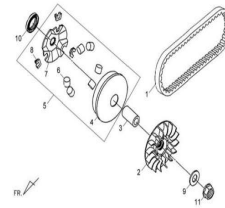
**E07 AC GEN. ASSY**



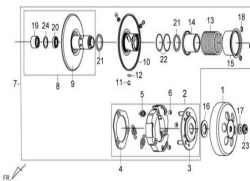
**E08 L. CRANK CAS**



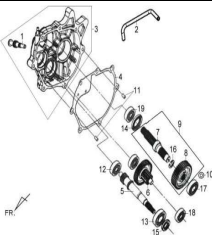
**E09 MOVABLE DRIV**



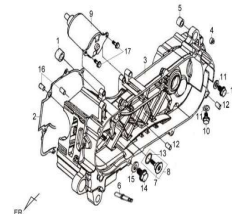
**E10 DRIVEN PULLE**



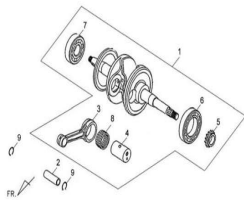
**E11 MISSION CASE**



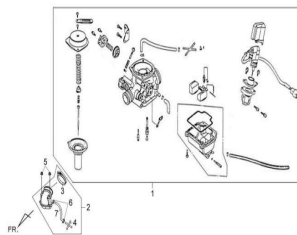
**E12 L. CRANK CAS**



**E13 CRANK SHAFT**



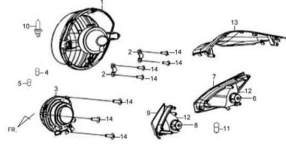
**E14 CARBURETOR**



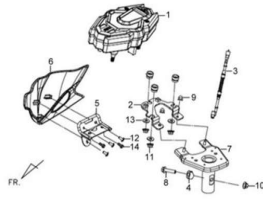
# 車架部品目録

## CONTENTS-FRAME GROUP

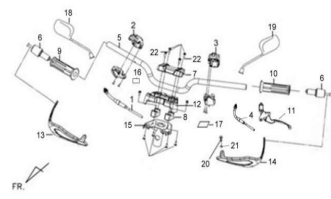
**F01 HEAD LIGHT A**



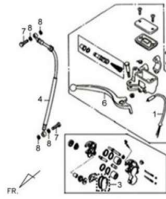
**F02 METER ASSY&M**



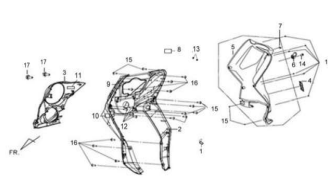
**F03 STRG. HANDLE**



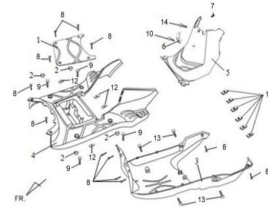
**F04 FR. BRAKE**



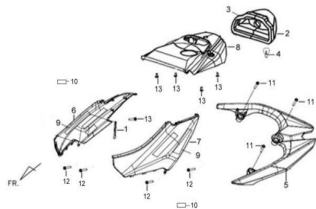
**F05 FR. COVER**



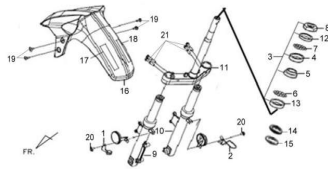
**F06 FLOOR PANEL**



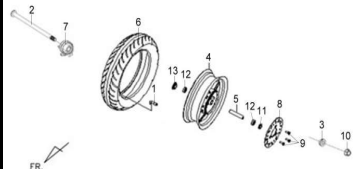
**F07 BODY COVER**



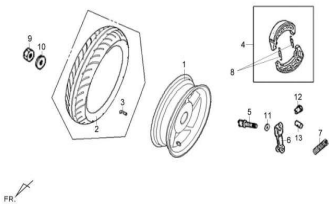
**F08 FR FORK SET**



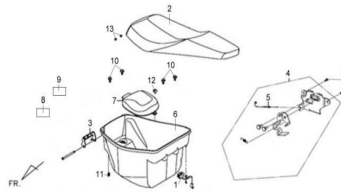
**F09 FR. WHEEL**



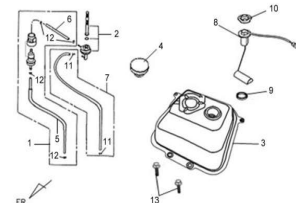
**F10 RR. WHEEL**



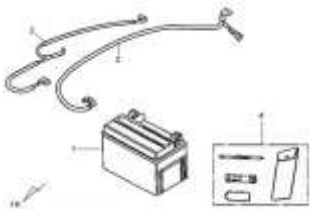
**F11 LUGGAGE BOX**



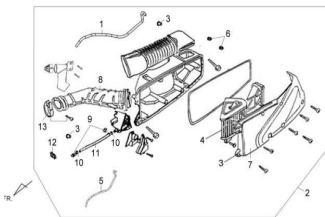
**F12 FUEL TANK**



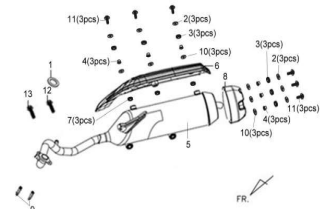
**F13 BATTERY ASS'**



**F14 AIR/C**



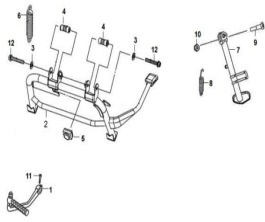
**F15 EXH. MUFFLER**



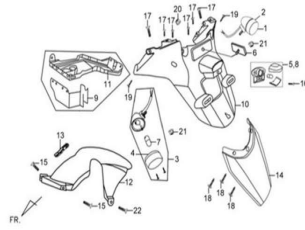
# 車架部品目錄

## CONTENTS-FRAME GROUP

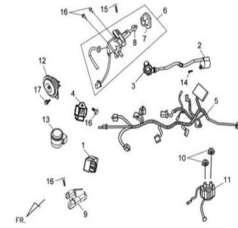
### F16 MAIN STAND



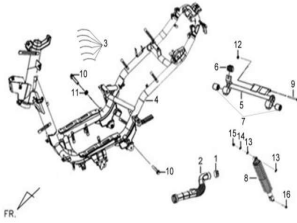
### F17 RR. MUDGUARD



### F18 WIRE HARNESS

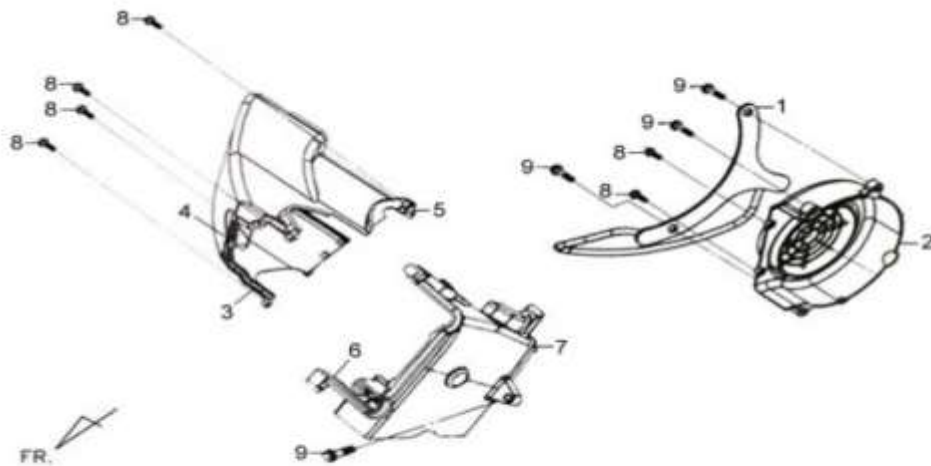


### F19 FRAME BODY



E01  
SHROUD ASSY

AE12W8-CO (CROX 125)



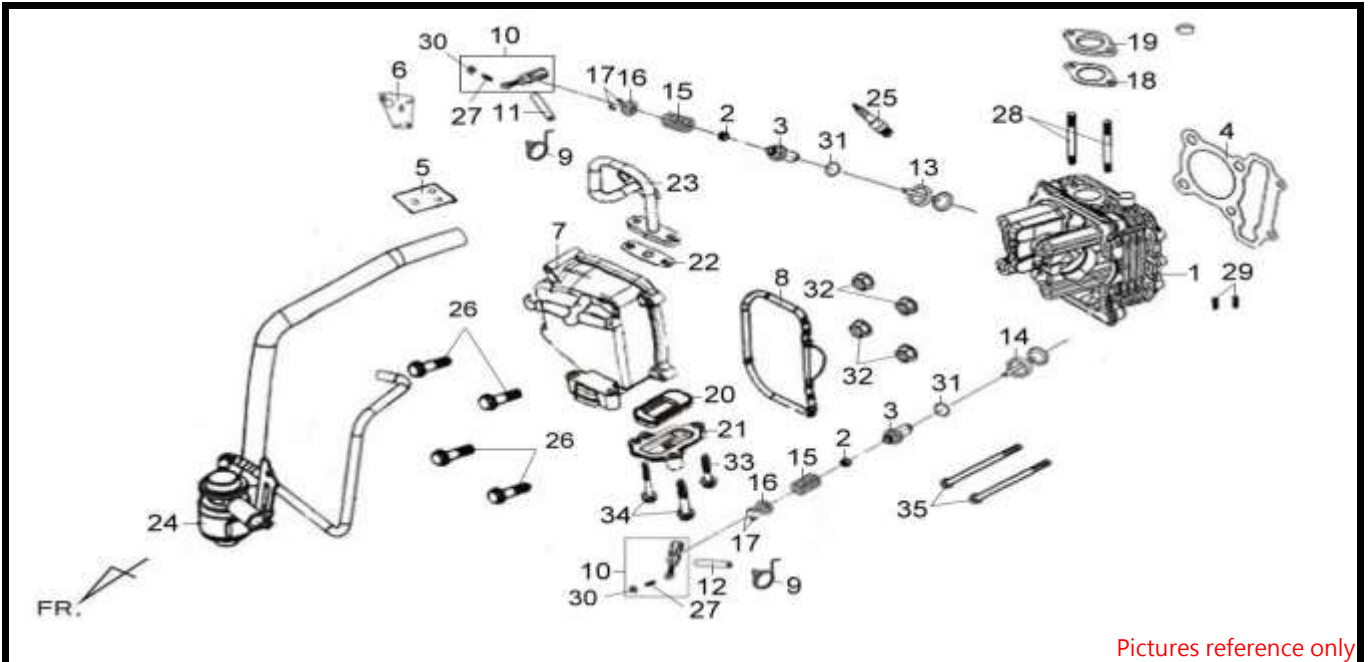
Pictures reference only

NO	PARTS NUMBER	DESCRIPTION	DESCRIPTION	QTY	EFFECTIVE DATE
01	18241-F6S-000		EXH.PIPE PROTECTOR	1	
02	1961A-ANL-000		FAN COVER ASSY	1	
03	19625-F8A-000		SHROUD A SEAL A	1	
04	19626-F8A-000		SHROUD A SEAL B	1	
05	1962A-ANL-000		SHROUD A ASSY	1	
06	19635-ANL-000		SHROUD B SEAL	1	
07	1963A-ANL-000		SHROUD B ASSY	1	
08	93904-35380		TAP SCREW 5X16	6	
09	96001-06025-08		FLANGE BOLT SH 6X25	4	



E02  
CYLINDER HEAD

AE12W8-CO (CROX 125)

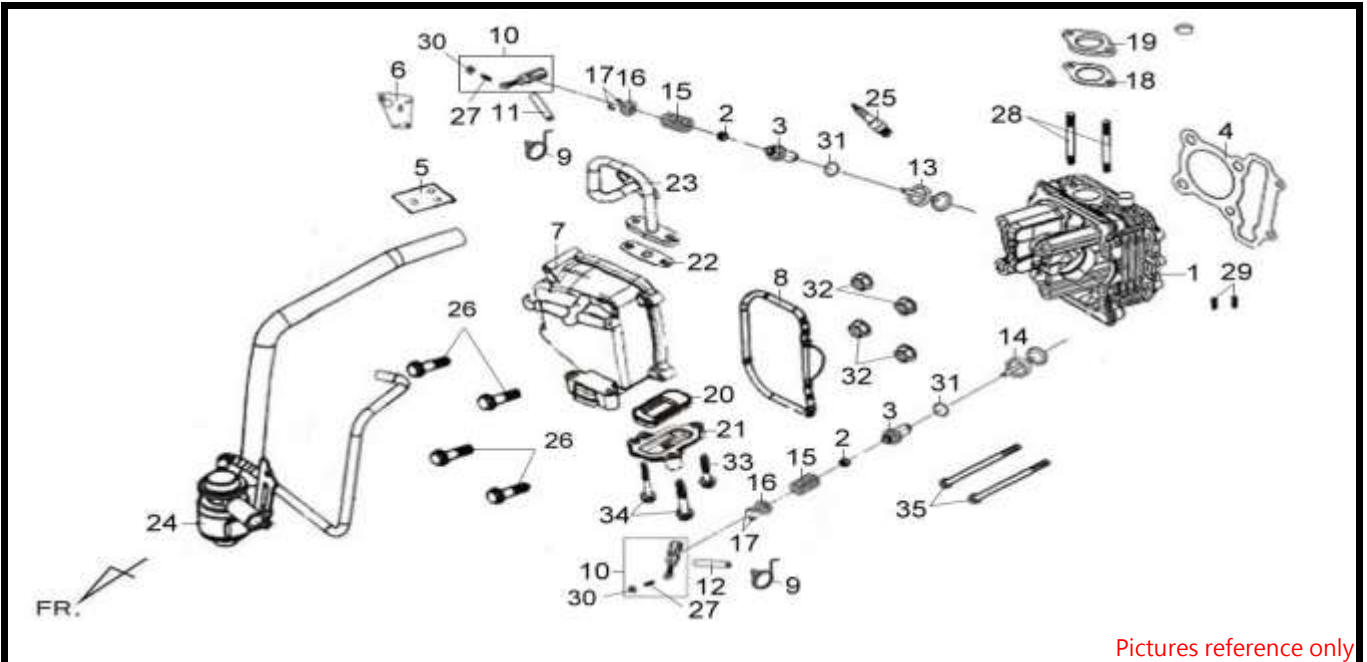


Pictures reference only

NO	PARTS NUMBER	DESCRIPTION	DESCRIPTION	QTY	EFFECTIVE DATE
01	12200-ANL-000		CYLINDER HEAD COMP	1	
02	12209-H6B-900		VALVE STEM SEAL	2	
03	12237-F6A-300		IN.VALVE GUIDE	2	
04	12251-H7A-000		CYLINDER HEAD GASKET	1	
05	12302-ANL-000		BREATHER SEP.PLATE	1	
06	12308-F6C-000		SEPARATE PLATE GASKE	1	
06	12308-Z2D-000		SEPARATE PLATE GASKE	1	21/07/2018
07	12310-A61-000		CYL.HEAD COVER	1	
08	12391-F8A-000		HEAD COVER PACKING	1	
09	14439-F8A-000		ROCKER ARM TORSION S	2	
10	1443A-ANL-000		VALVE ROCKER ARM ASS	2	
11	14451-ANL-000		IN.ROCKER ARM SHAFT	1	
12	14452-ANL-000		EXH. ROCKER ARM SHAF	1	
13	14711-F8A-000		INLET VALVE	1	
14	14721-F8A-000		EXHAUST VALVE	1	
15	14751-ARA-000		VALVE SPRING	2	
16	14771-F6C-A00		RETAINER VALVE SRPING	2	
17	14781-A01-A00		VALVE COTTER	4	
18	16201-ANL-010		CARB.INSULATOR GASKE	1	
19	16211-ANL-010		CARB.INSULATOR	1	
20	18601-MJ1-790		REED VALVE COMP	1	
21	18612-GY6-A00		REED VALVE COVER	1	
22	18645-M9Q-000		A/I PIPE GASKET	1	
23	18647-F6S-000		AIR PIPE COMP.	1	
24	1865A-ANL-000		A.I.C.V. ASSY.	1	
25	1PCR7HSA-3		PLUG CR7HSA	1	

E02  
CYLINDER HEAD

AE12W8-CO (CROX 125)

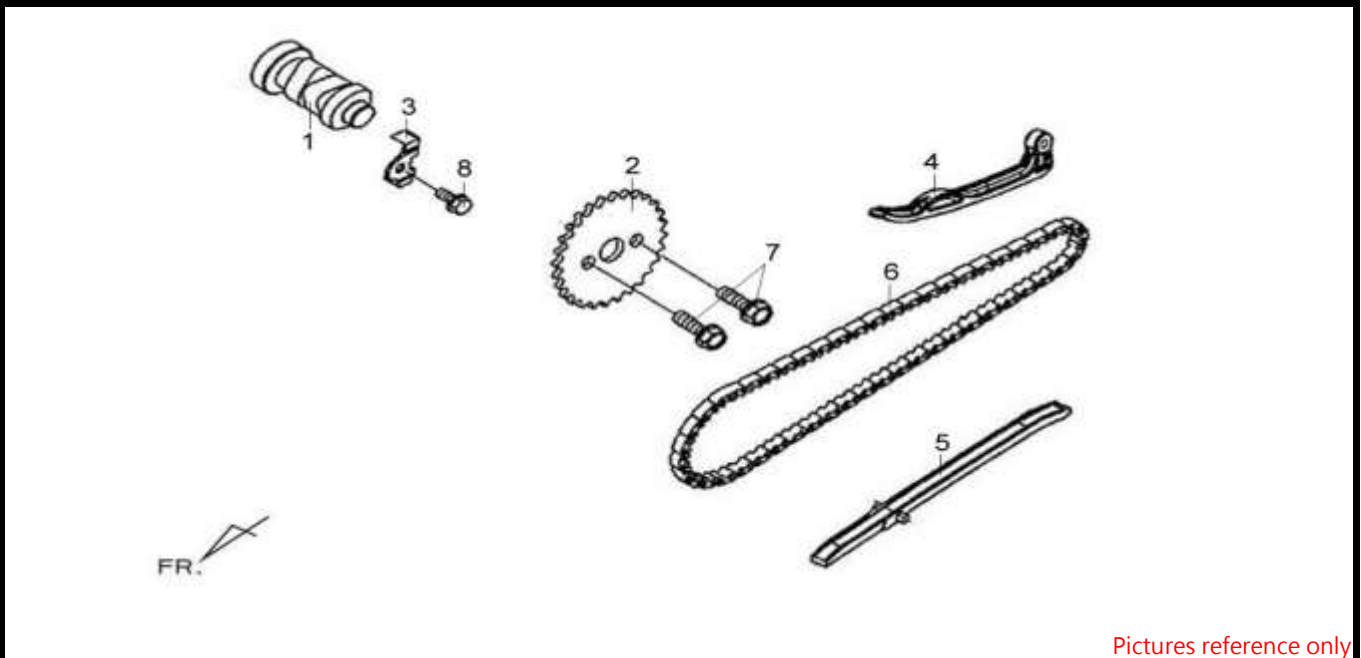


Pictures reference only

NO	PARTS NUMBER	DESCRIPTION	DESCRIPTION	QTY	EFFECTIVE DATE
26	90002-ANL-000		HEAD COVER BOLT	4	
27	90012-M9Q-000		TAPPET ADJUSTING SCREW	2	
28	90034-ABA-000		STUD BOLT 6X65	2	
29	90034-HMA-000		SPECIAL STUD BOLT 8*40	2	
30	90206-HLK-000		TAPPET ADJUSTING NUT	2	
31	91305-M9Q-000		O-RING 9.0X1.6 MM	2	
32	94050-08080		FLANGE NUT 8MM	4	
33	95701-06025-00		FLANGE BOLT 6X25	1	
34	95701-06045-00		BOLT FLANGE 6X45	2	
35	96001-06095-08		SH FLANGE BOLT 6X95	2	



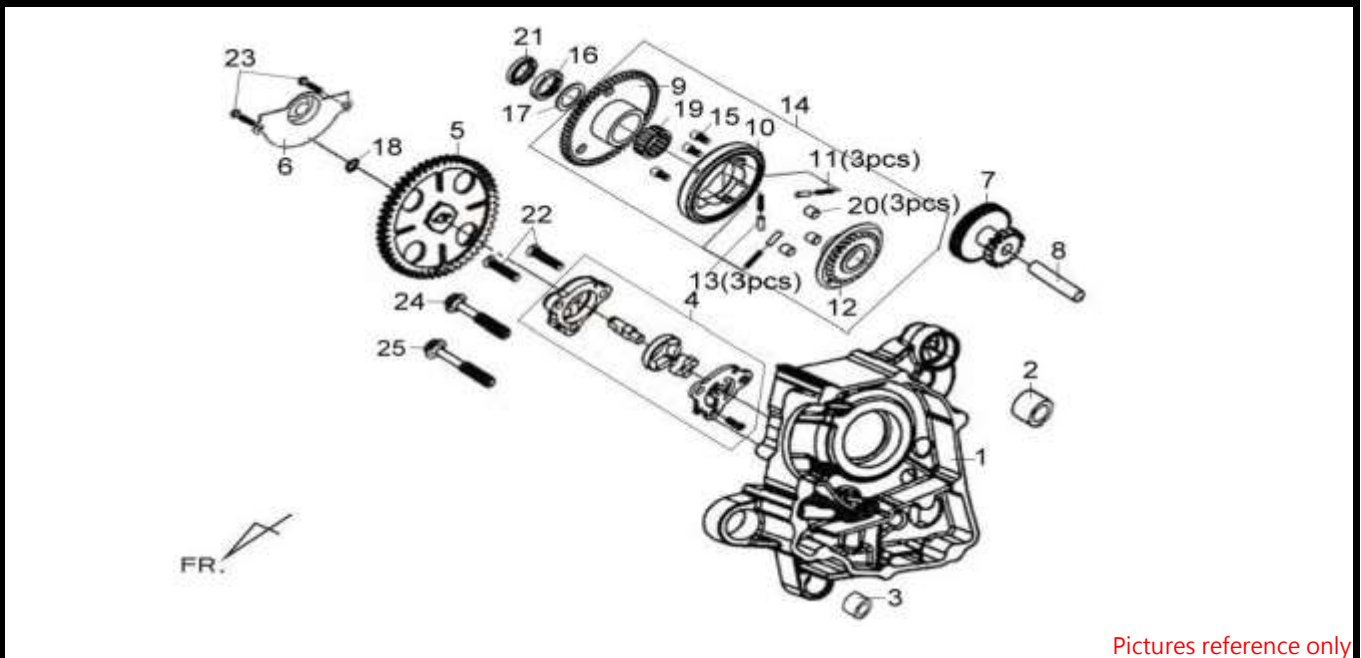
CAM SHAFT&CYL. HEAD L. SIDE COVER



Pictures reference only

NO	PARTS NUMBER	DESCRIPTION	DESCRIPTION	QTY	EFFECTIVE DATE
01	14100-ANL-000		CAM SHAFT COMP	1	
02	14105-F6A-000		CAM SPROCKET	1	
03	14457-ANL-000		CAM SHAFT SETTING PLA	1	
04	14510-F8A-000		CAM CHAIN TENSIONER	1	
05	14610-F8A-000		CAM CHAIN GUIDE	1	
06	1C14401-M92-000		CAM CHAIN(SCR0404SVX9	1	
07	90083-B12-000		KNOCK BOLT 6MM	2	
08	96001-06016-08		FLANGE BOLT 6X16	1	

R CARNK CASE&OIL PUMP ASSY

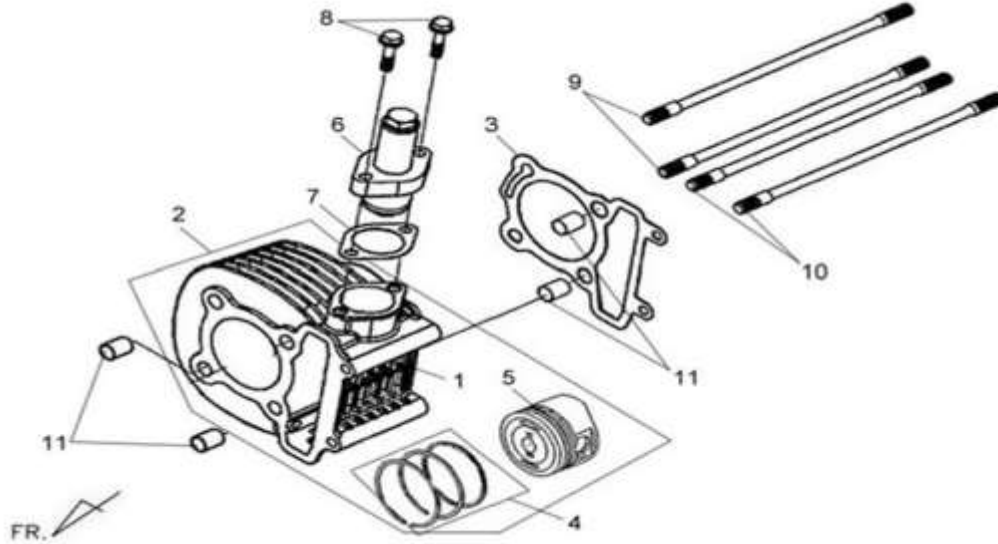


Pictures reference only

NO	PARTS NUMBER	DESCRIPTION	DESCRIPTION	QTY	EFFECTIVE DATE
01	11100-ARA-000		R. CRAKE CASE	1	
02	11102-M9Q-300		ENG. HANGER RUB. BUSH	1	
03	11205-F6A-300		MAIN STAND BUSH	1	
04	15100-F6C-000-XS		OIL PUMP ASSY.	1	
05	15133-F6C-000		OIL PUMP DRIVEN GEAR	1	
06	15711-M92-000		OIL PUMP SEPARATOR	1	
07	28101-M9Q-000		STARTER RIDUCTION GEA	1	
08	28102-GY6-900		START.REDUCTION GEAR	1	
09	28110-M9Q-000		GEAR COMP STARTING C	1	
10	28120-M9Q-000		START. CLUTCH OUTER	1	
11	28124-H6T-000		START. CLUTCH ROLLER	3	
12	28125-M92-000		START. CLUTCH FLANGE	1	
13	28126-M9Q-000		STARTING ROLLER SPRIN	3	
14	2812A-H6T-900		START.CLUTCH OUTER A	1	
15	90002-M9Q-000		SOCKET BOLT 6X10	3	
16	90201-GY6-900		LOCK NUT 22MM	1	
17	90403-M92-000		THRUST WASHER 22.2X31	1	
18	90602-N01-000		CIR. CLIP 8MM	1	
19	91104-M9Q-000		NEEDLE BRG.K28X32X17S	1	
20	91105-M9Q-000		ROLLER	3	
21	91201-M9Q-300-M1		OIL SEAL 19.8X30X5R	1	
22	93600-06025-0H		FLAT SCREW 6X25	2	
23	96001-06012-08		FLANGE BOLT SH 6X12	2	
24	96001-06045-08		FLANGE BOLT SH 6X45	1	
25	96001-06055-08		FLANGE BOLT SH 6X55	1	

E05  
CYLINDER

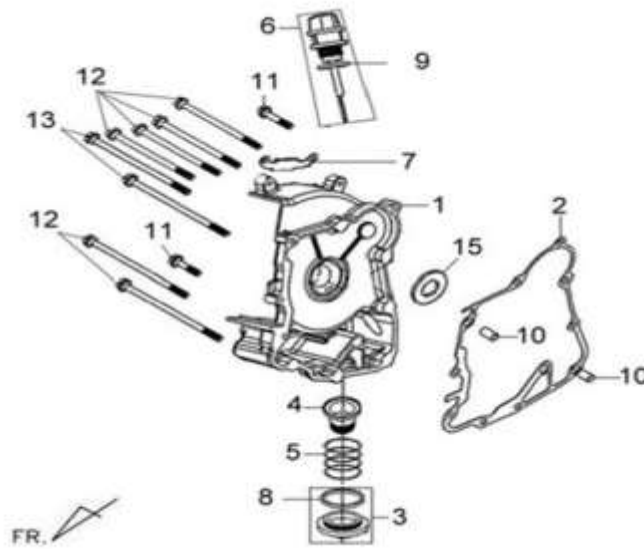
AE12W8-CO (CROX 125)



Pictures reference only

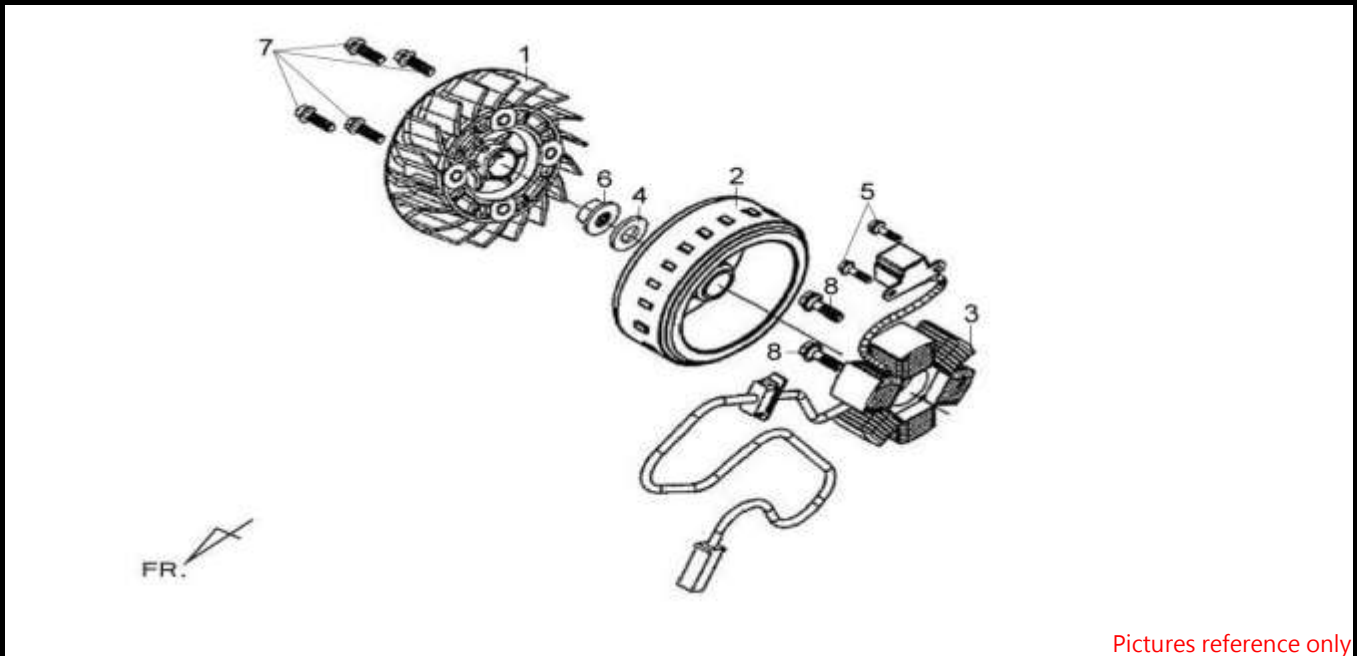
NO	PARTS NUMBER	DESCRIPTION	DESCRIPTION	QTY	EFFECTIVE DATE
01	12100-ARA-000		CYLINDER	1	
02	12100-ARA-000-A-XS		CYLINDERSET	1	
03	12191-F6C-000		CYLINDER GASKET	1	
04	13010-U3A-000		PISTON RING SET	1	
05	13101-ANL-000		PISTON	1	
06	14520-M9Q-000		TENSIONER LIFTER ASSY	1	
07	14523-GY6-900		TENSIONER LIFTER GASK	1	
08	90001-M9Q-000		FLANGE SHF BOLT 6X22	2	
09	90031-M2Q-000		CYL. STUD BOLT A	2	
10	90032-A6A-000		CYLINDER STUD BOLT B	2	
11	90703-M8Q-000		DOWEL PIN 10X14	4	

R. CRANK CASE COVER



Pictures reference only

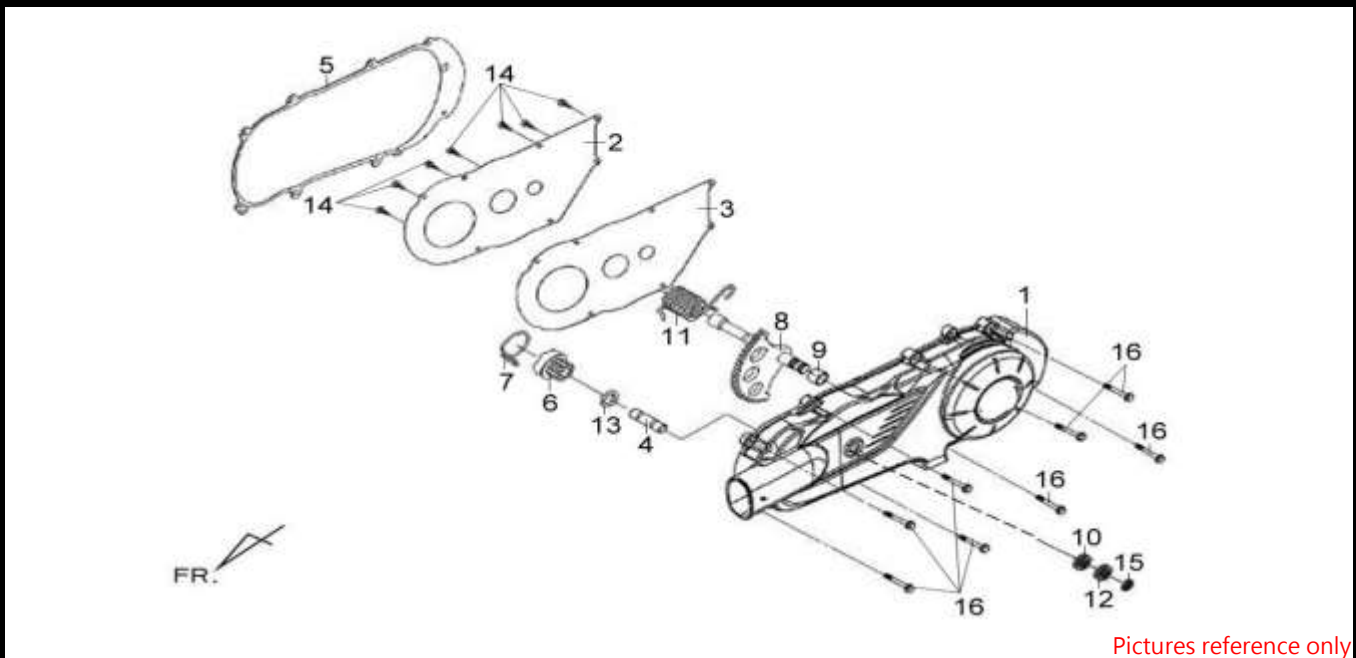
NO	PARTS NUMBER	DESCRIPTION	DESCRIPTION	QTY	EFFECTIVE DATE
01	11331-ARB-000		R. CRANK CASE COVER	1	
02	11394-F6C-000		R COVER GASKET	1	
03	1236A-M9T-000		TAPPET ADJ HOLE CAP A	1	
04	15421-H66-000		OIL FILTER SCREEN	1	
05	15426-GE1-920		OIL FILTER SCREEN SPRING	1	
06	1565A-F6A-000		OIL LEVEL GAUGE ASSY.	1	
07	32961-ARA-000		ACG CORD CLAMPER	1	
08	91302-M9Q-000		O-RING 30.8MM	1	
09	91307-035-000		O-RING 18X3	1	
10	94301-08140		DOWEL PIN 8X14	2	
11	96001-06030-08		FLANGE SH BOLT 6X30	2	
12	96001-06095-08		SH FLANGE BOLT 6X95	6	
13	96001-06100-08		FLANGE BOLT SH 6X100	2	



Pictures reference only

NO	PARTS NUMBER	DESCRIPTION	DESCRIPTION	QTY	EFFECTIVE DATE
01	19510-F6A-010		COOLING FAN COMP	1	
02	31110-X1A-000		FLYWHEEL COMP	1	
03	31120-X1A-000		STATOR COMP	1	
04	90440-166-000		PLAIN WASHER 12MM	1	
05	92101-05012-0A		HEX BOLT 5*12	2	
06	94050-12000		FLANGE NUT 12MM	1	
07	96001-06018-08		FLANGE BOLT SH 6X18	4	
08	96001-06028-08		FLANGE BOLT SH 6X28	2	

L. CRANK CASE COVER

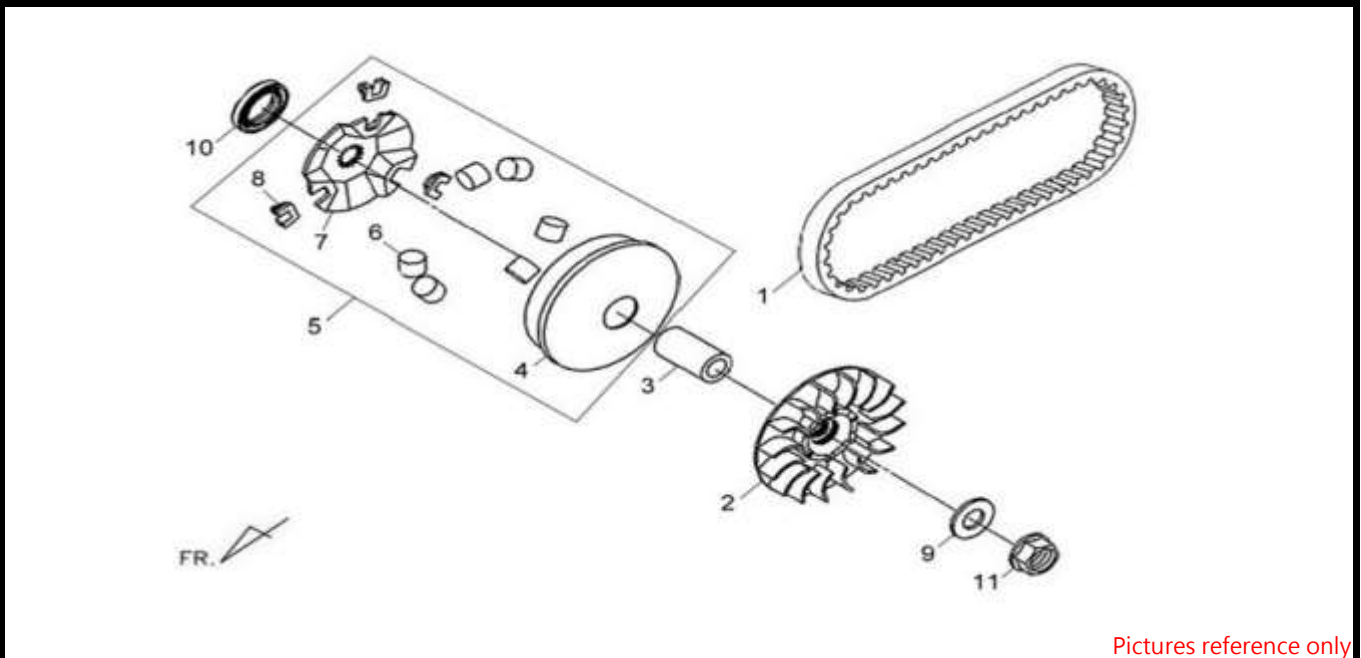


Pictures reference only

NO	PARTS NUMBER	DESCRIPTION	DESCRIPTION	QTY	EFFECTIVE DATE
01	11341-ANA-000-K1		L. SIDE COVER COMP(NH-	1	
01	11341-ANA-000-K1		L. SIDE COVER COMP(NH-	1	
01	11341-ANA-000-K1		L. SIDE COVER COMP(NH-	1	
02	11342-ANA-000		L.CRANK COVER PLATE	1	
03	11343-ANA-000		L.COVER PLATE GASKET	1	
04	11360-M92-300		KICK STARTER DRIVEN S	1	
05	11395-ANA-000		L.CRANK CASE COVER GA	1	
06	28230-H6T-000		KICK DRIVEN GEAR COMF	1	
07	28233-M92-000		KICK START.DRIVEN SPR	1	
08	28250-ARA-000		KICK STARTER SPINDLE C	1	
09	28254-M92-000		KICK SPINDLE BUSH	1	
10	28258-HEB-000		WASHER	1	
11	28281-ARA-000		KICK STARTER SPRING	1	
12	90451-M7Q-000		KICK SPINDLE WASHER	1	
13	90452-M9Q-000		THRUST WASHER 13MM	1	
14	93500-05012-0H		PAN SCREW 5X12	7	
15	94511-14000		EX. CIR CLIP 14MM	1	
16	96001-06028-00		FLANGE SH BOLT 6X28	8	



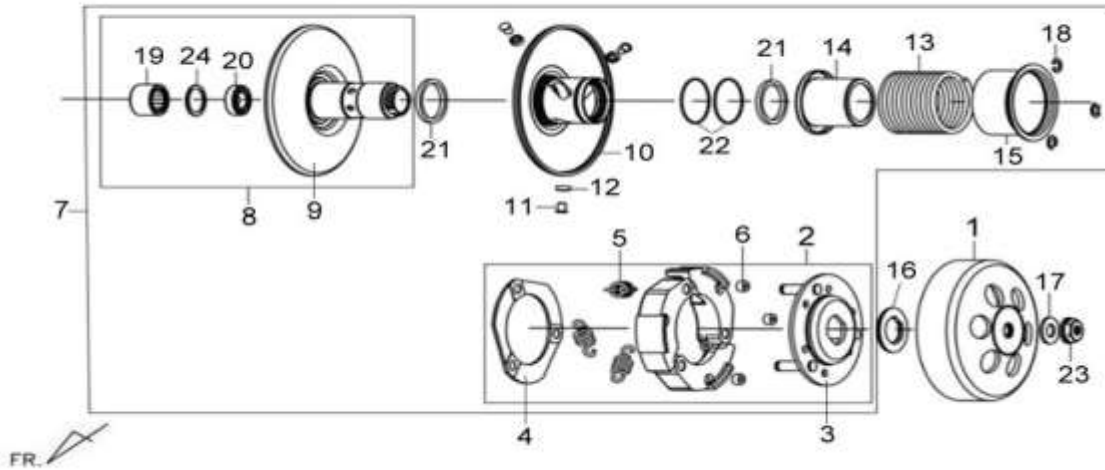
MOVABLE DRIVE FACE ASS'Y



Pictures reference only

NO	PARTS NUMBER	DESCRIPTION	DESCRIPTION	QTY	EFFECTIVE DATE
01	1B01ANA01		DRIVE BELT 818X19.7X28	1	
02	22102-M92-000		DRIVE FACE COMP	1	
03	22105-M92-000		DRIVE FACE BOSS	1	
04	22110-H5B-000		MOVABLE DRIVE FACE CO	1	
05	2211A-ARA-000		MOVABLE DRIVE FACE	1	
06	22121-HKE-000-A		WEIGHT ROLLER SET(10.1	1	
06	22121-AEN-000-A		WEIGHT ROLLER SET(8.1g	1	01/05/2015
07	22131-M92-000		RAMP PLATE	1	
08	22132-ARA-000-A		SLIDE PIECE(3PCS/1SET)	1	
09	90440-166-000		PLAIN WASHER 12MM	1	
10	91202-A6A-000		OIL SEAL 25*40*7	1	
11	94050-12000		FLANGE NUT 12MM	1	

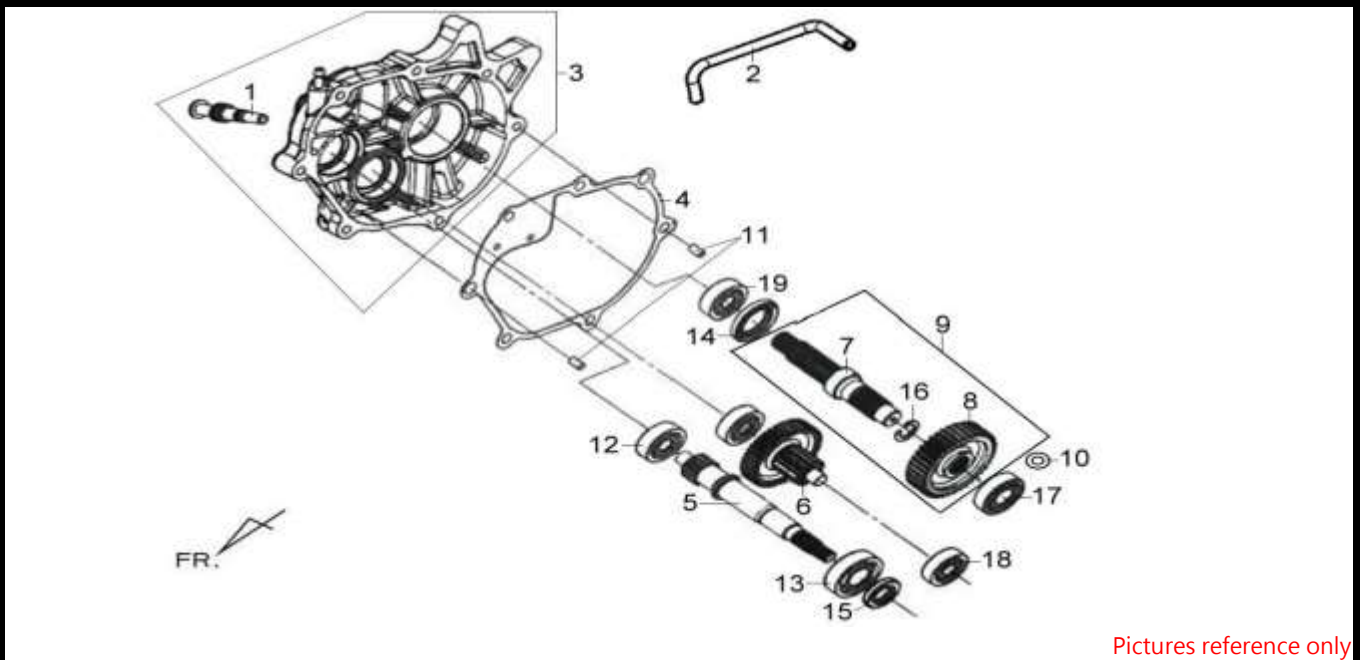
DRIVEN PULLEY ASS'Y



Pictures reference only

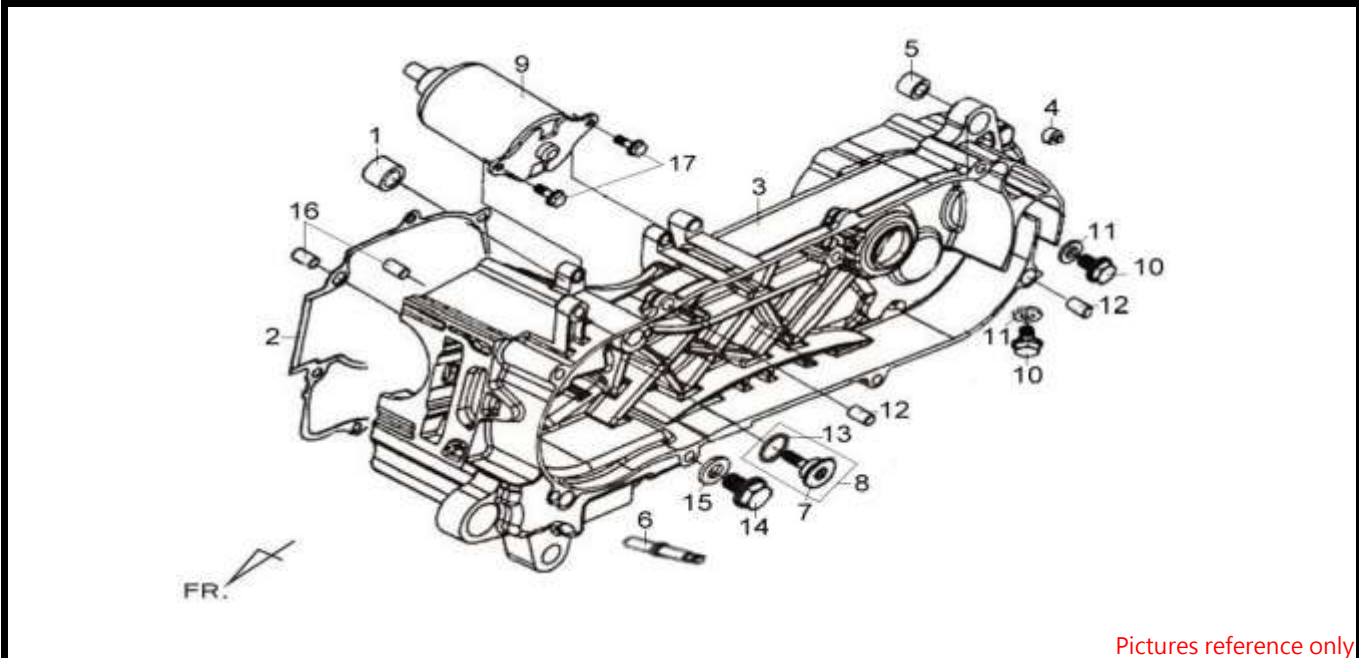
NO	PARTS NUMBER	DESCRIPTION	DESCRIPTION	QTY	EFFECTIVE DATE
01	22101-M9Q-000		CLUTCH OUTER	1	
02	22300-F6C-000		DRIVE PLATE ASSY	1	
03	22350-HKE-000		CLUTCH PRESURE PLATE	1	
04	22361-M9Q-000		CLUTCH LIFTER PLATE	1	
05	22401-H6T-000		CLUTCH SPRING	3	
06	22804-M9Q-000		CLUTCH DAMPER RUBBER	3	
07	23010-F6C-000		DRIVEN PULLEY ASSY.	1	
08	23200-HKE-000		DRIVEN FACE ASSY	1	
09	23210-HKE-000		DRIVEN FACE COMP	1	
10	23220-HKE-000		MOVABLE DRIVEN FACE C	1	
11	23225-HKE-000		GUIDE PIN	3	
12	23226-M9Q-000		GUIDE ROLLER	3	
13	23233-M9Q-000		DRIVEN FACE SPRING	1	
14	23237-M9Q-000		SEAL COLLAR	1	
15	23238-HKE-000		SPRING COLLAR	1	
16	90202-M9Q-000		SPECIAL NUT 28MM	1	
17	90440-166-000		PLAIN WASHER 12MM	1	
18	90605-166-720		CIR CLIP 7MM	3	
19	91001-GY6-900-M1		NDL BRG. 20X29X18	1	
20	91002-GA7-701		NEEDLE BRG.6902LUC3/4	1	
21	91211-M8Q-000		DRIVEN FACE SEAL 34X41	2	
22	91384-M9Q-000		O-RING 38.8X1.9	2	
23	94050-12000		FLANGE NUT 12MM	1	
24	94520-28000		IN. CIR. CLIP 28MM	1	

MISSION CASE&DRIVE SHAFT



Pictures reference only

NO	PARTS NUMBER	DESCRIPTION	DESCRIPTION	QTY	EFFECTIVE DATE
01	11203-AFA-000		BRAKE SHOE ANCHOR PIN	1	
02	11221-ABA-000		MISSION BREATHER TUBE	1	
03	21200-ANM-000		MISSION CASE COMP.	1	
04	21395-ABA-000		MISSION COVER GASKET	1	
05	23411-ANL-000		DRIVE SHAFT	1	
06	23420-ANL-010		COUNTER SHAFT COMP	1	
07	23431-ANL-000		FINAL SHAFT	1	
08	23432-ANL-000		FINAL GEAR	1	
09	2343A-ANL-000		FINAL SHAFT ASSY.	1	
10	90401-ANL-000		WASHER 17*30*1	1	
11	90703-M8Q-000		DOWEL PIN 10X14	2	
12	91003-M8Q-000		RADIAL BALL BRG.CSB30	1	
13	91104-KN7-670		RADIAL BALL BRG CSB20	1	
14	91201-HHA-300		OIL SEAL 32*47*7	1	
15	91202-KJ9-003		OIL SEAL 20X32X6	1	
16	94510-22000		CLIP 22MM	1	
17	96100-62033-10		RAD.BRG.BALL 6203 C3/2	1	
18	96100-63013-00		RAD.BALL.BRG 6301 C3	2	
19	96150-62043-10		RAD.BALL.BRG.6204 LLU	1	

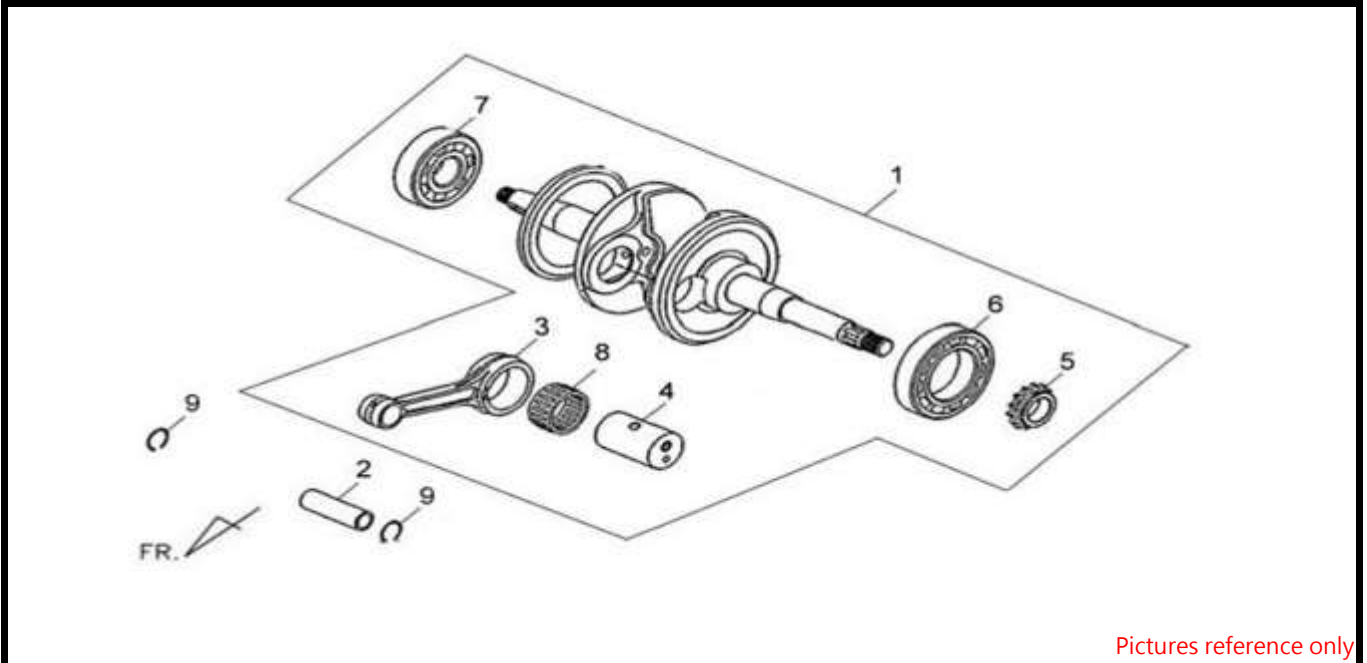


Pictures reference only

NO	PARTS NUMBER	DESCRIPTION	DESCRIPTION	QTY	EFFECTIVE DATE
01	11102-M9Q-300		ENG. HANGER RUB. BUSH	1	
02	11192-F6C-000		R CRANK CASE GASKET	1	
03	11200-ANA-010		L CRANK CASE COMP	1	
04	11202-M92-000		GUIDE RUBBER SPG	2	
05	11203-GC7-300		RR. CUSH UND BUSH RUE	1	
06	11204-ABA-000		SPRING HOOK PIN	1	
07	14531-M9Q-000		CAM CHAIN TENSIONERPI	1	
08	1453A-M92-000		CAM CHAIN TNSR.PIVOT A	1	
09	31200-F6C-000		START MOTOR ASSY	1	
10	90103-KN8-000		SPECIAL BOLT 8MM	2	
11	90474-333-000-KD		WASHER 8MM	2	
12	90703-M8Q-000		DOWEL PIN 10X14	2	
13	91304-M9Q-000		O-RING 15.2*1.5	1	
14	92800-12000		DRAIN PLUG BOLT 12MM	1	
15	94109-12000		DRAIN PLUG WASHER 12M	1	
16	94301-08140		DOWEL PIN 8X14	2	
17	96001-06016-08		FLANGE BOLT 6X16	2	

E13  
CRANK SHAFT

AE12W8-CO (CROX 125)

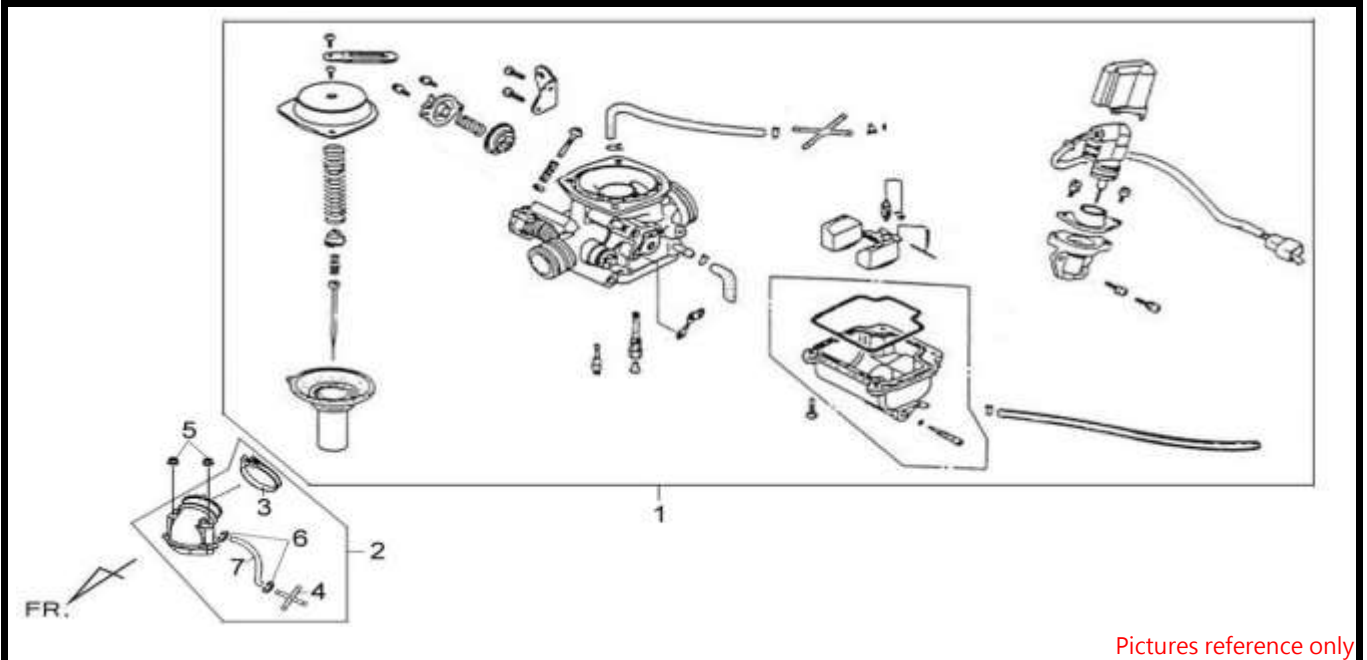


Pictures reference only

NO	PARTS NUMBER	DESCRIPTION	DESCRIPTION	QTY	EFFECTIVE DATE
01	13000-ANL-000		CRANK SHAFT COMP	1	
02	13111-ARA-000		PISTON PIN	1	
03	13201-ARA-000		CONNECTING ROD	1	
04	13381-M92-300		CRANK PIN	1	
05	14311-F6A-300		TIMING SPROCKET	1	
06	91001-F6A-300		RADIAL BALL BRG.TMB20	1	
07	91001-H6B-300		RADIAL BALL BRG.63/22	1	
08	91101-M9Q-000		CONNECTING ROD BEARI	1	
09	94601-15000		PISTON PIN CLIP 15MM	2	

E14  
CARBURETOR

AE12W8-CO (CROX 125)



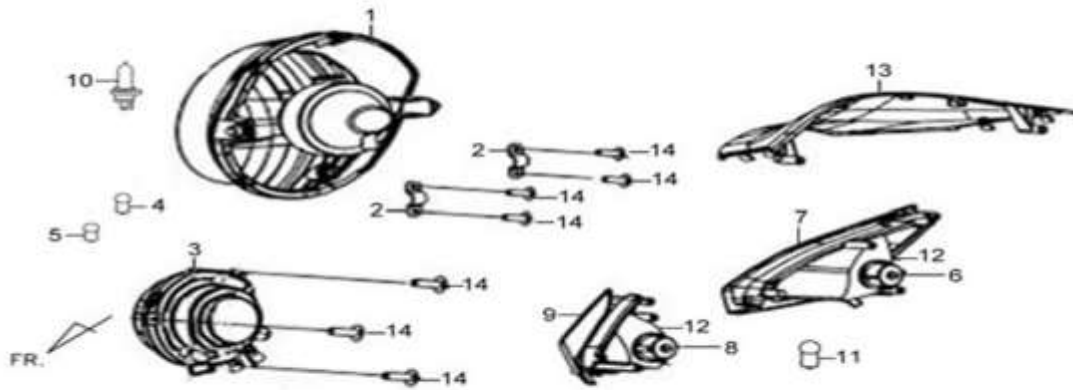
Pictures reference only

NO	PARTS NUMBER	DESCRIPTION	DESCRIPTION	QTY	EFFECTIVE DATE
01	16100-ANM-000		CARBURETOR ASSY	1	
02	1711A-ANM-000		INLET PIPE ASSY	1	
03	17256-M9Q-000		INSULATOR BAND	1	
04	18670-S6N-000		4-WAY JOINT	1	
05	94050-06000		FLANGE NUT 6MM	2	
06	95002-02070		TUBE CLIP B7	2	
07	95005-35050-50		TUBE 3.5*50	1	



F01  
HEAD LIGHT ASSY

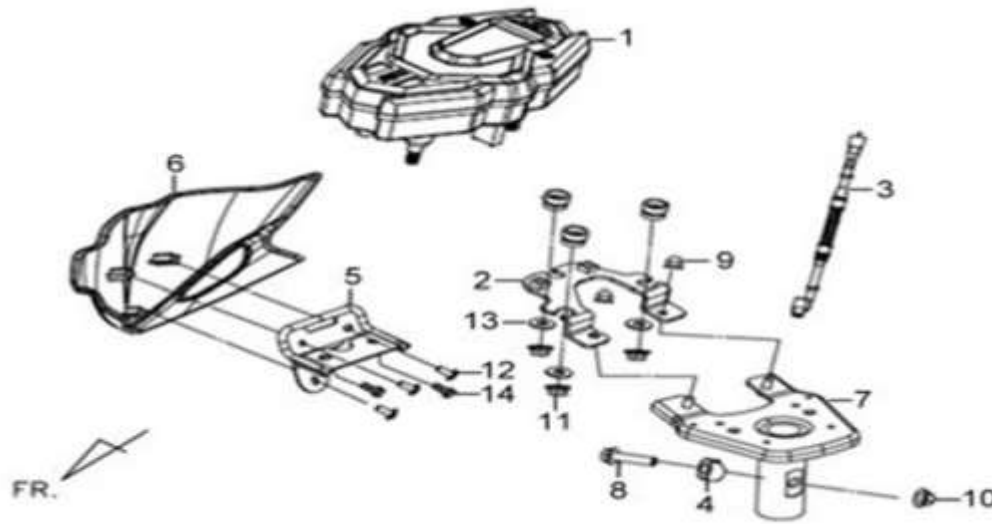
AE12W8-CO (CROX 125)



Pictures reference only

NO	PARTS NUMBER	DESCRIPTION	DESCRIPTION	QTY	EFFECTIVE DATE
01	33100-AEM-000		HEAD LIGHT ASSY	1	
02	33107-A7A-000		HEAD LIGHT PLATE	2	
03	33140-AEM-000		FR POSITION LIGHT ASSY	1	
04	33145-AWU-000		LED PCB 1	1	
05	33146-AWU-000		LED PCB 2	1	
06	33400-AEM-000		FR.R.WINKER ASSY	1	
07	33401-AEM-000		R.FR.WINKER LENS	1	
08	33450-AEM-000		FR.L.WINKER ASSY	1	
09	33451-AEM-000		L.FR.WINKER LENS	1	
10	34901-X06-000		HEAD LIGHT BULB	1	
11	34905-M70-000		WINKER BULB RR 12V10W	2	
12	34906-ABF-000		FR.R/L.WINKER SOCKET C	2	
13	64303-AWU-000-KC		FR. TOP COVER	1	
13	64303-AWU-000-KG		FR. TOP COVER	1	
13	64303-AWU-000-WD		FR. TOP COVER	1	
14	93903-34340		TAPPING SCREW 4X12	7	

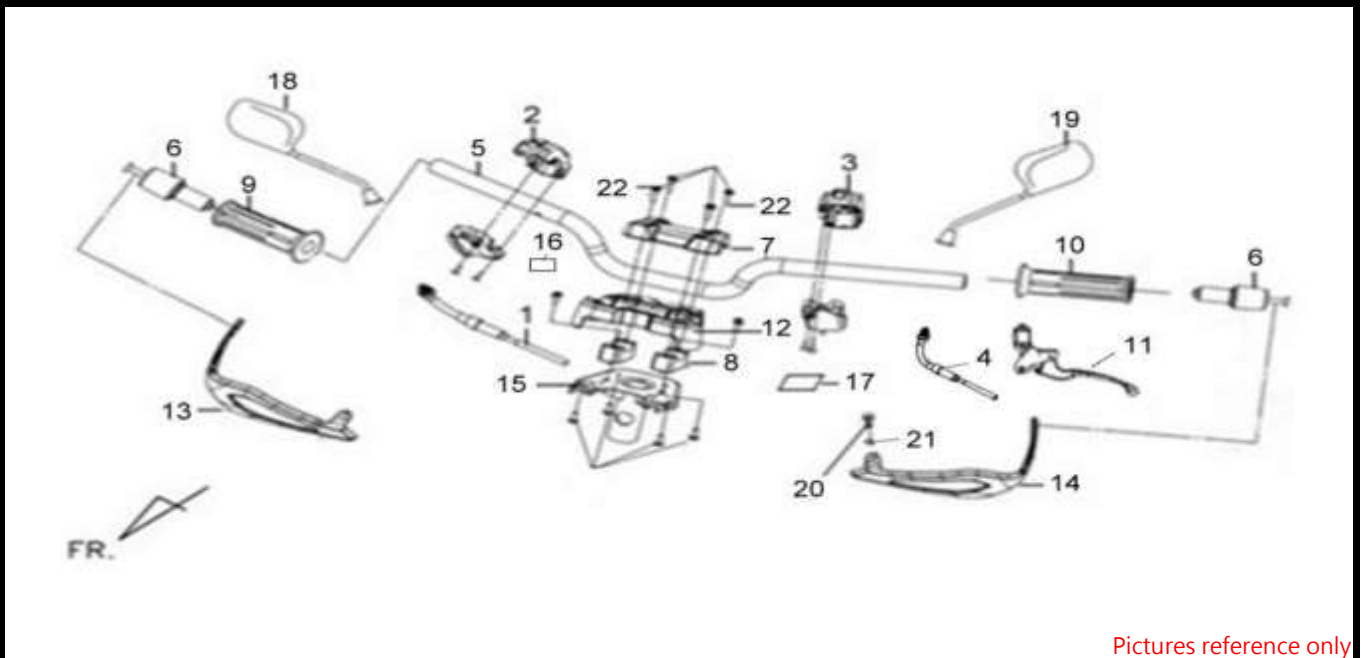
METER ASSY&METER VISOR



Pictures reference only

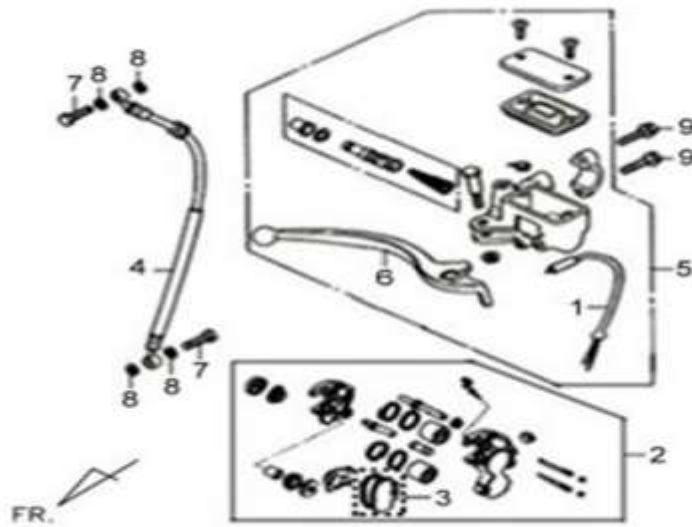
NO	PARTS NUMBER	DESCRIPTION	DESCRIPTION	QTY	EFFECTIVE DATE
01	37200-AEN-000		METER ASSY	1	
01	37200-AEN-010		METER ASSY	1	21/08/2020
02	37212-AJF-000		METER STAY	1	
03	44830-XDE-000		SPEED.SENSOR COMP	1	
04	53125-CT1C-A00		HANDLE SET COLLAR	1	
05	53201-AWU-000		METER VISOR STAY	1	
06	53207-B9A-000-KC		METER VISOR A BK007U	1	
06	53207-B9A-000-WD		METER VISOR A WH8018P	1	
06	53207-B9A-000-RI		METER VISOR A R-086	1	
07	53231-AWU-000		HANDLE PIPE UNDER HOL	1	
08	90106-AAA-000		FLANGE BOLT 10*55	1	
09	90301-M9Q-900		OPEN STAY NUT 6MM	2	
10	90304-AAA-000		FLANGE U NUT 10MM	1	
11	93903-35240		TAPPING SCREW 5X12	3	
12	93903-35240		TAPPING SCREW 5X12	3	
13	94103-06400		PLAIN WASHER 6MM	3	
14	95801-06012-08		FLANGE BOLT 6X12	2	

STRG. HANDLE COMP.



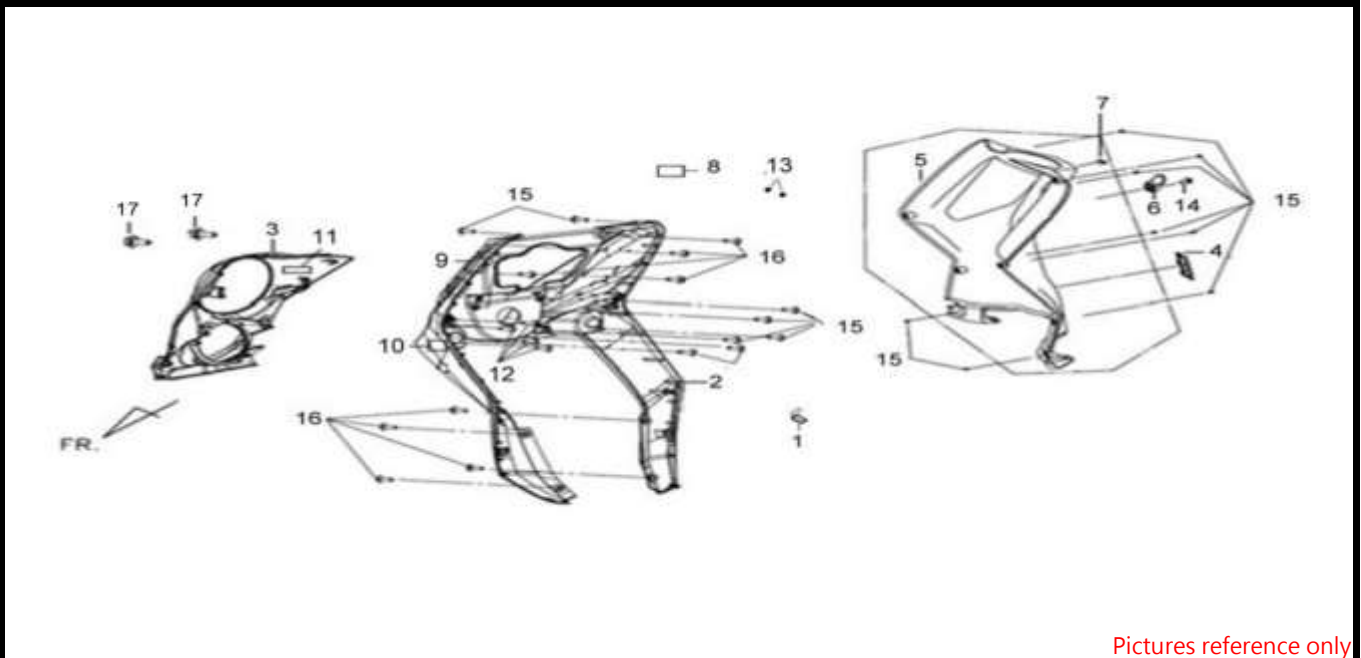
Pictures reference only

NO	PARTS NUMBER	DESCRIPTION	DESCRIPTION	QTY	EFFECTIVE DATE
01	17910-AEL-000		THROT CABLE COMP	1	
02	35150-XDE-000		R.HANDLE SW.UNIT	1	
03	35200-AEN-000		L. HANDLE SW. UNIT	1	
04	43450-ANR-000		RR.BRAKE CABLE	1	
05	53100-AWU-000-GY		STRG. HANDLE COMP GY-	1	
06	53104-N5G-B00		HANDLE PIPE WT.	2	
07	53131-AWU-000		HANDLE PIPE UP HOLDER	1	
08	53132-AWU-000		HANDLE PIPE DOWN HOD	2	
09	53140-N7K-000		THROT.GRIP COMP	1	
10	53166-N7K-000		L.GRIP RUBBER	1	
11	5319Z-AWU-000		PACKING BRAKE ASSY	1	
12	53205-AWU-000-KC		FR.HANDLE COVER BK-00	1	
12	53205-AWU-000-KG		FR.HANDLE COVER BK-55	1	
12	53205-AWU-000-WD		FR.HANDLE COVER WH-80	1	
13	53208-AWU-000		R. LEVER COVER	1	
14	53209-AWU-000		L. LEVER COVER	1	
15	53231-AWU-000		HANDLE PIPE UNDER HOL	1	
16	64307-ABA-000		RUBBER SEAL	1	
17	87170-AEL-000		HANDLE MARK	1	
18	88110-Z8H-000		R. BACK MIRROR	1	
19	88120-Z8H-000		L. BACK MIRROR	1	
20	90110-AWU-000		SPECIAL BOLT 6X12	1	
21	90555-T3A-A00		WASHER	1	
22	96700-06025-07		SOCKET BOLT 6X25	4	



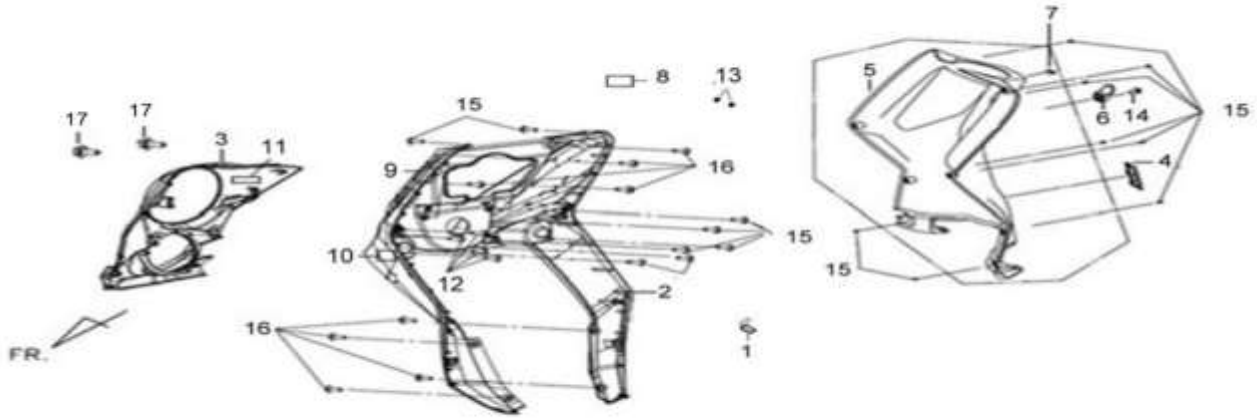
Pictures reference only

NO	PARTS NUMBER	DESCRIPTION	DESCRIPTION	QTY	EFFECTIVE DATE
01	35340-M92-900		FR. STOP SW. ASS'Y	1	
02	45100-ATA-000-R		FR.CALIPER ASSY	1	
03	45105-APA-000-A		PAD CPMP A	1	
04	45126-AWU-000		FR. BRAKE HOSE ASSY.	1	
05	45500-AE1-000-R		FR M/C ASS'Y	1	
06	53170-AWU-000		R. HANDLE LEVER	1	
07	90145-M9Q-000		OIL BOLT 10X22	2	
08	90545-M9Q-000		OIL BOLT WASHER	4	
09	96700-06022-00		SOCKET BOLT 6X22	2	



Pictures reference only

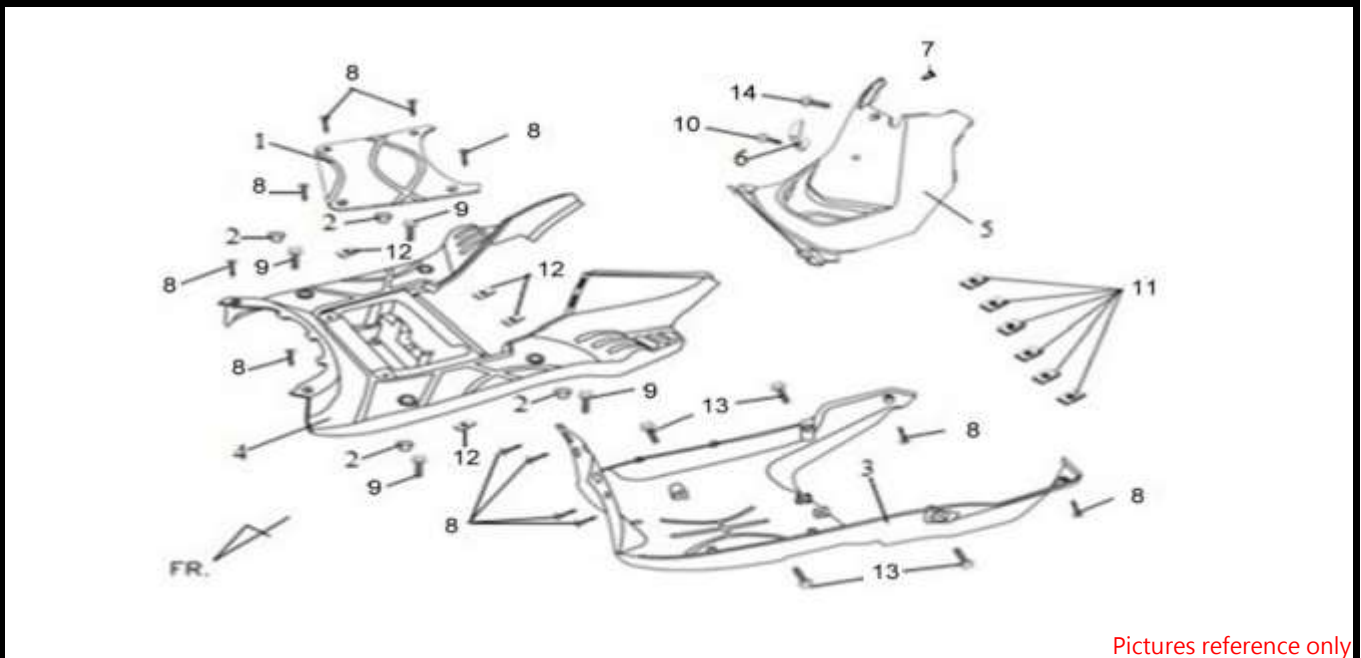
NO	PARTS NUMBER	DESCRIPTION	DESCRIPTION	QTY	EFFECTIVE DATE
01	50180-AWU-000		FR.COVER STAY	1	
02	64301-AWU-000-KC		FR.COVER BK-007U	1	
02	64301-AWU-000-WD		FR.COVER WH-8018P	1	
02	64301-AWU-000-RI		FR.COVER R-086	1	
03	64302-AWU-000		FR. COVER EMBLEM	1	
04	64318-ALA-000-BK		FRAME NUMBER LID(BLA	1	
05	81131-ABF-000		INNER COVER A	1	
06	81132-M7Q-000		LUGGAGE HOOK	1	
07	81133-ABA-000		LUGGAGE STOPPER	1	
08	87123-AE1-000-T1		FR. COVER L. STRIPE A	1	
08	87123-AE1-000-T2		FR. COVER L. STRIPE A	1	
08	87123-AE1-000-T3		FR. COVER L. STRIPE A	1	
09	87133-AEL-000-T1		FR. COVER R. STRIPE	1	
09	87133-AEL-000-T2		FR. COVER R. STRIPE	1	
09	87133-AEL-000-T3		FR. COVER R. STRIPE	1	
10	87134-AEL-000-T1		FR. COVER L. STRIPE	1	
10	87134-AEL-000-T2		FR. COVER L. STRIPE	1	
10	87134-AEL-000-T3		FR. COVER L. STRIPE	1	
11	87170-AKA-A00-T1		SYM STRIPE(WHITE)	1	
11	87170-AKA-A00-T1		SYM STRIPE(WHITE)	1	
11	87170-AKA-A00-T2		SYM STRIPE(BLACK)	1	
12	90109-42128		TAPPING SCREW M4.2x12	8	
13	90111-AWU-000		FR. COVER COLLAR	2	
14	90164-M9Q-000		SCREW SPECIAL 6mm	1	
15	93903-35240		TAPPING SCREW 5X12	16	
16	93903-45320		TAPPING SCREW 5X16	8	



Pictures reference only

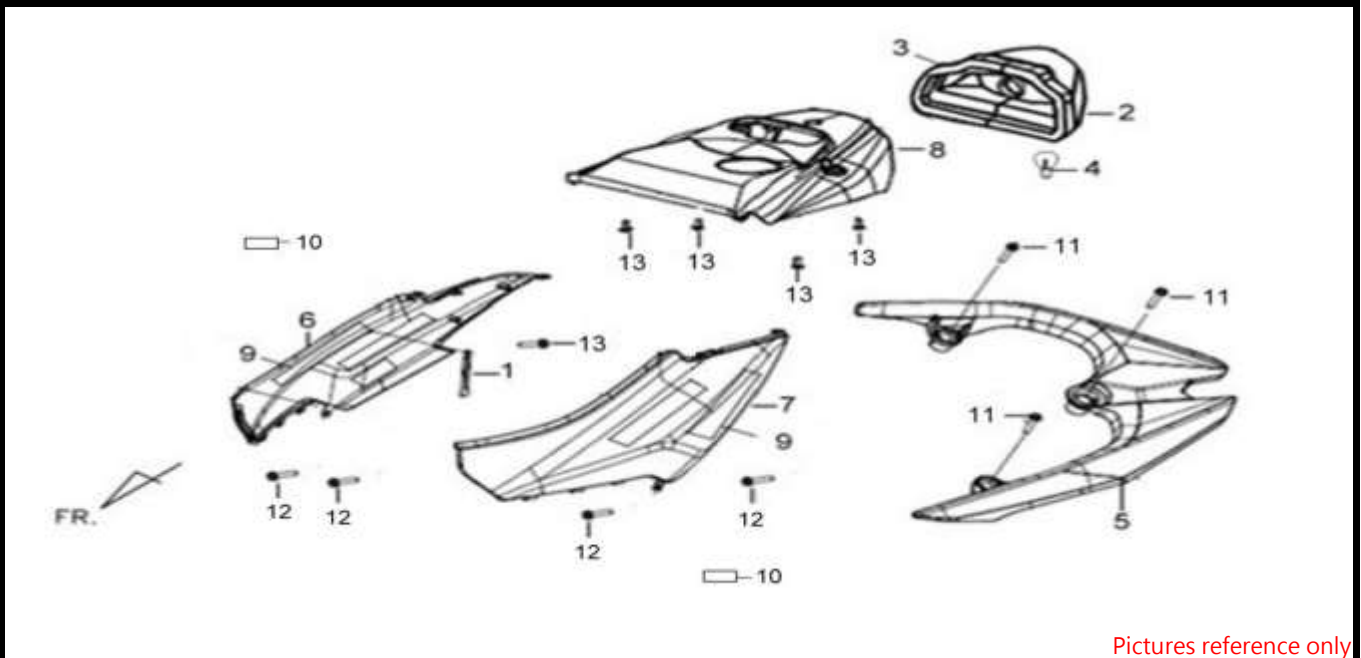
NO	PARTS NUMBER	DESCRIPTION	DESCRIPTION	QTY	EFFECTIVE DATE
17	96700-06012-08		SOCKET BOLT 6X12	2	





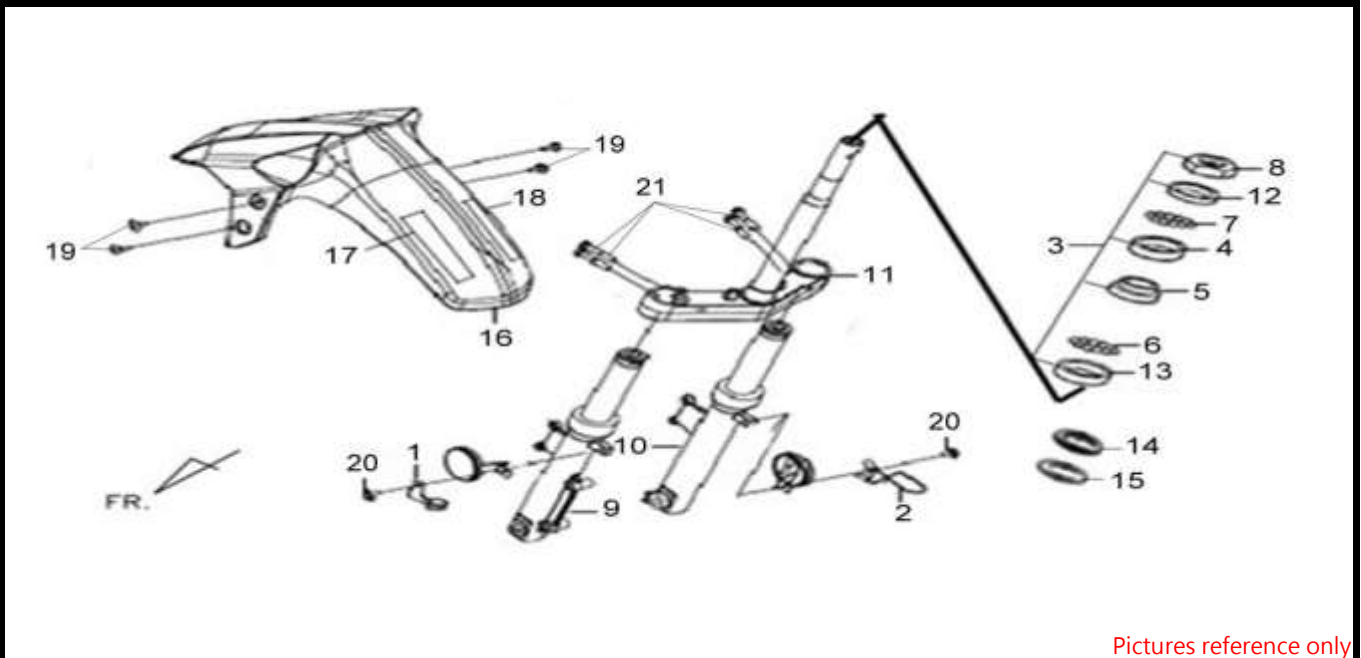
Pictures reference only

NO	PARTS NUMBER	DESCRIPTION	DESCRIPTION	QTY	EFFECTIVE DATE
01	50326-AAA-000		BATTERY COVER	1	
02	50612-APA-000		FLOOR STEP CAP A	4	
03	50613-ABF-000		UNDER COVER	1	
04	64310-ABF-000		FLOOR PANEL	1	
05	80151-AAA-000		CENTER COVER	1	
06	81132-H12-000		LUGGAGE HOOK	1	
07	81133-H12-000		LUGGAGE HOOK STOPPE	1	
08	90109-42168		TAPPING SCREW M4.2x16	12	
09	90111-AAA-000		FLANGE BOLT 6MM	4	
10	90115-G02-000		BOLT 6X16	1	
11	90302-M92-000		SPRING NUT 4MM	6	
12	90308-X04-000		SPECIAL NUT 5MM	4	
13	93404-06016-00		WASHER BOLT 6X16	4	
14	93903-35240		TAPPING SCREW 5X12	1	



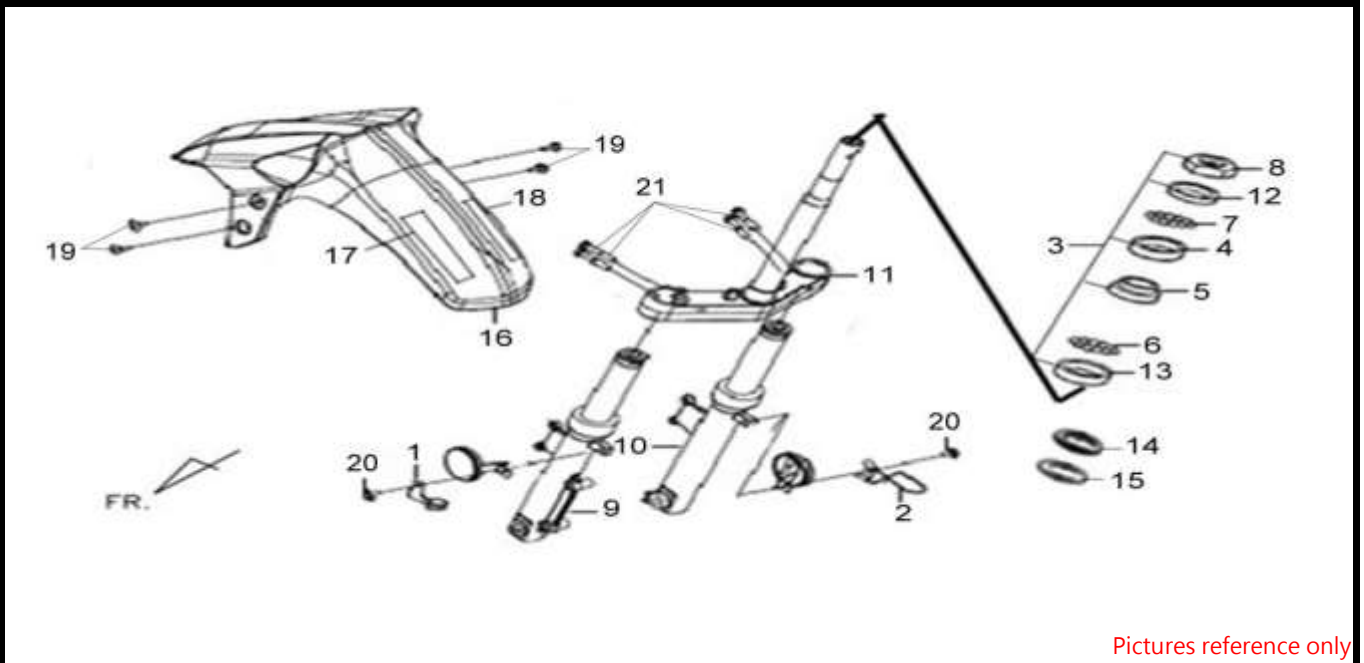
Pictures reference only

NO	PARTS NUMBER	DESCRIPTION	DESCRIPTION	QTY	EFFECTIVE DATE
01	32162-H6T-000		CLIP 2*100	1	
02	33700-AEN-000		TAIL LIGHT COMP	1	
03	33701-AEN-000		TAIL LIGHT LENS	1	
04	34906-268-600		TAIL LIGHT & STOP BULB	1	
05	81200-AWU-000-K1		RR.CARRIER	1	
05	81200-AWU-000-K1		RR.CARRIER	1	
05	81200-AWU-000-WA		RR.CARRIER	1	
06	83500-AAA-000-KC		R. BODY COVER (BK007U)	1	
06	83500-AAA-000-WD		R. BODY COVER (WH8018)	1	
06	83500-AAA-000-RI		R. BODY COVER (R086)	1	
07	83600-AAA-000-KC		L. BODY COVER (BK007U)	1	
07	83600-AAA-000-WD		L. BODY COVER (WH8018)	1	
07	83600-AAA-000-RI		L. BODY COVER (R086)	1	
08	83750-AAA-000		RR CENTER COVER	1	
09	87128-AEN-000		BODY COVER EMBLEM	2	
10	87170-ATA-000		SYM STRIPE (WHITE)	2	
11	90105-ANA-000		SPECIAL BOLT 8MM	3	
12	93903-35240		TAPPING SCREW 5X12	4	
13	93903-35320		TAPPING SCREW 5X16	5	



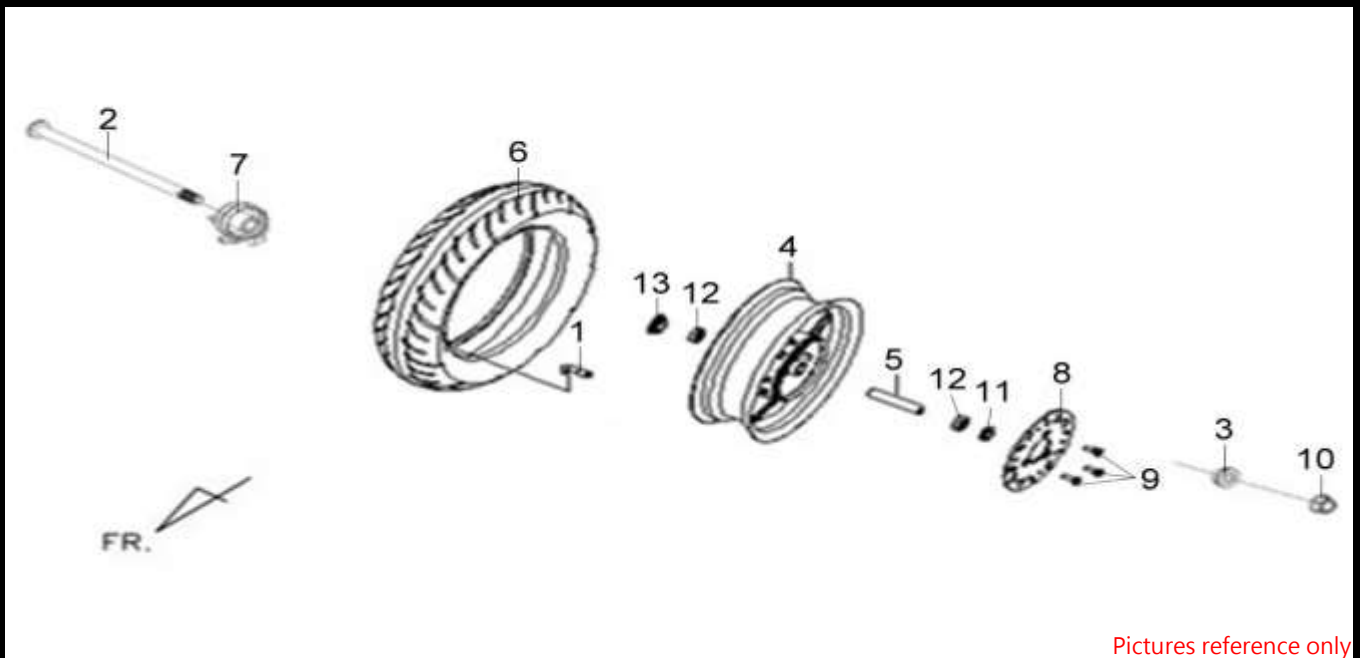
Pictures reference only

NO	PARTS NUMBER	DESCRIPTION	DESCRIPTION	QTY	EFFECTIVE DATE
01	45156-AAA-000		FR. BRK. HOSE CLAMP	1	
02	45465-AAA-000		CABLE GUIDE	1	
03	50300-M9Q-A00		BALL RACE SET	1	
04	50301-M9Q-000-XS		STRG.UP BALL RACE	1	
05	50302-M9Q-000-XS		UNDER STRG.BALL RACE	1	
06	50303-AAA-000		UP STEEL BALLS AND RE	1	
07	50304-AAA-000		LOWER STEEL BALLS ANI	1	
08	50306-M9Q-000-XS		STRG. STEM LOCK NUT	1	
09	51400-ATA-000-K		FR.R.CUSHION BK001C	1	
09	51400-ATA-000-K		FR.R.CUSHION BK001C	1	
09	51400-ATA-000-K		FR.R.CUSHION BK001C	1	
10	51500-ATA-000-K		FR.L.CUSHION BK001C	1	
10	51500-ATA-000-K		FR.L.CUSHION BK001C	1	
10	51500-ATA-000-K		FR.L.CUSHION BK001C	1	
11	53200-AAA-000		STRG STEM COMP	1	
12	53211-M9Q-000-XS		RACE STRG TOP CONE	1	
13	53212-M9Q-000-XS		RACE STRG BOTTOM CON	1	
14	53214-M9Q-000		DUST SEAL STRG HANDLI	1	
15	53215-M9Q-000		STRG HEAD DUST SEAL W	1	
16	61100-AWU-000-WD		FR FENDER (WH-8018P)	1	
16	61100-AWU-000-KC		FR FENDER (BK-007U)	1	
16	61100-AWU-000-KG		FR FENDER (BK-5560S)	1	
17	87131-AE1-000-T1		FR.FENDER R. STRIPE	1	
17	87131-AE1-000-T2		FR.FENDER R. STRIPE	1	
17	87131-AE1-000-T3		FR.FENDER R. STRIPE	1	
18	87132-AE1-000-T1		FR.FENDER L. STRIPE	1	
18	87132-AE1-000-T2		FR.FENDER L. STRIPE	1	
18	87132-AE1-000-T3		FR.FENDER L. STRIPE	1	
19	90164-M9Q-000		SCREW SPECIAL 6mm	4	



Pictures reference only

NO	PARTS NUMBER	DESCRIPTION	DESCRIPTION	QTY	EFFECTIVE DATE
20	93404-06016-00		WASHER BOLT 6X16	2	
21	95801-08040-00		FLANGE BOLT 8X40	4	

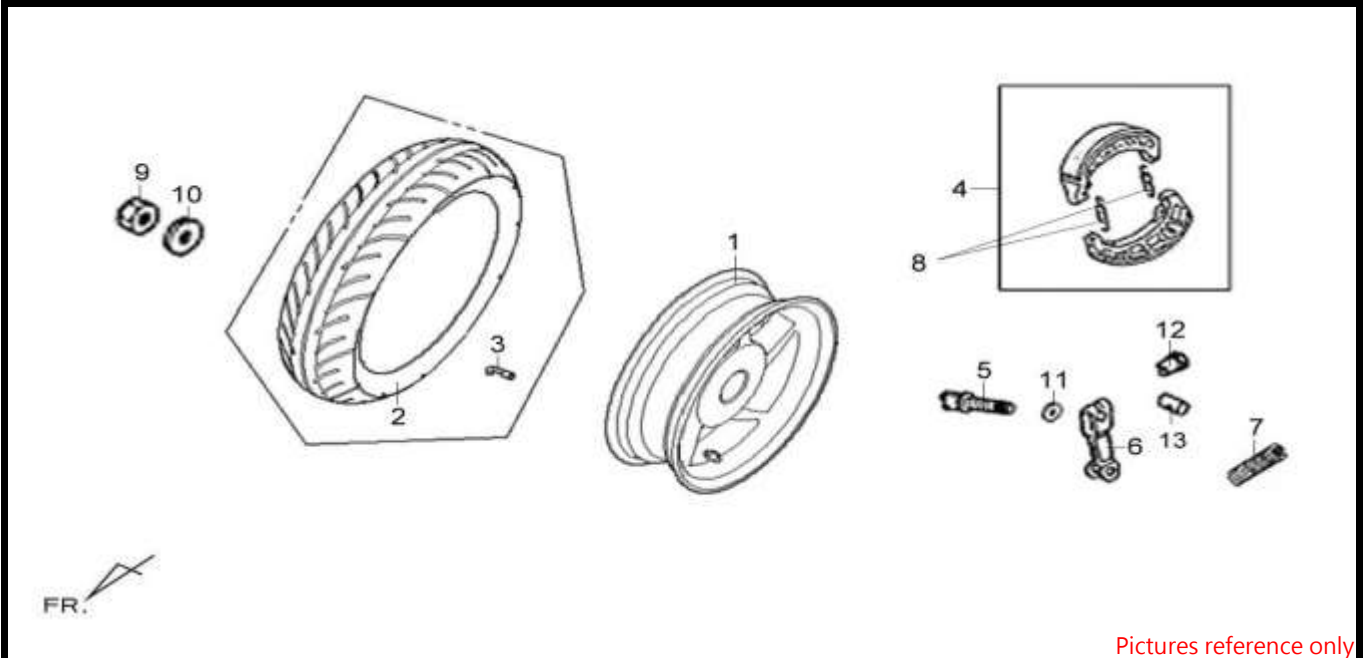


Pictures reference only

NO	PARTS NUMBER	DESCRIPTION	DESCRIPTION	QTY	EFFECTIVE DATE
01	42753-ABA-000		VALVE RIM	1	
02	44301-AAA-000		FR WHEEL AXLE	1	
03	44311-AAA-000		COLLAR FR WHEEL SIDE	1	
04	44601-XFA-000-K		FR. WHEEL RIM COMP	1	
04	44601-XFA-000-K		FR. WHEEL RIM COMP	1	
04	44601-XFA-000-K		FR. WHEEL RIM COMP	1	
05	44620-AAA-000		FR. AXLE DISTANCE COLL	1	
06	44710-ANG-000		FR.TIRE SET	1	
07	44800-ATA-000-K		SPDMT. GEAR BOX	1	
08	45121-AWU-000-K		FR.BRAKE DISK	1	
09	90106-N02-000		FR. DISK BOLT 8*26	3	
10	90306-N7C-000		SELF LOCK NUT 12MM	1	
11	90754-M9Q-000-M2		DUST SEAL 20X32X5	1	
12	90912-M9Q-000-M1		BEARING 6201LU/2A	2	
13	91258-M9Q-000-M2		SPEEDOMETER GEAR BO	1	

F10  
RR. WHEEL

AE12W8-CO (CROX 125)

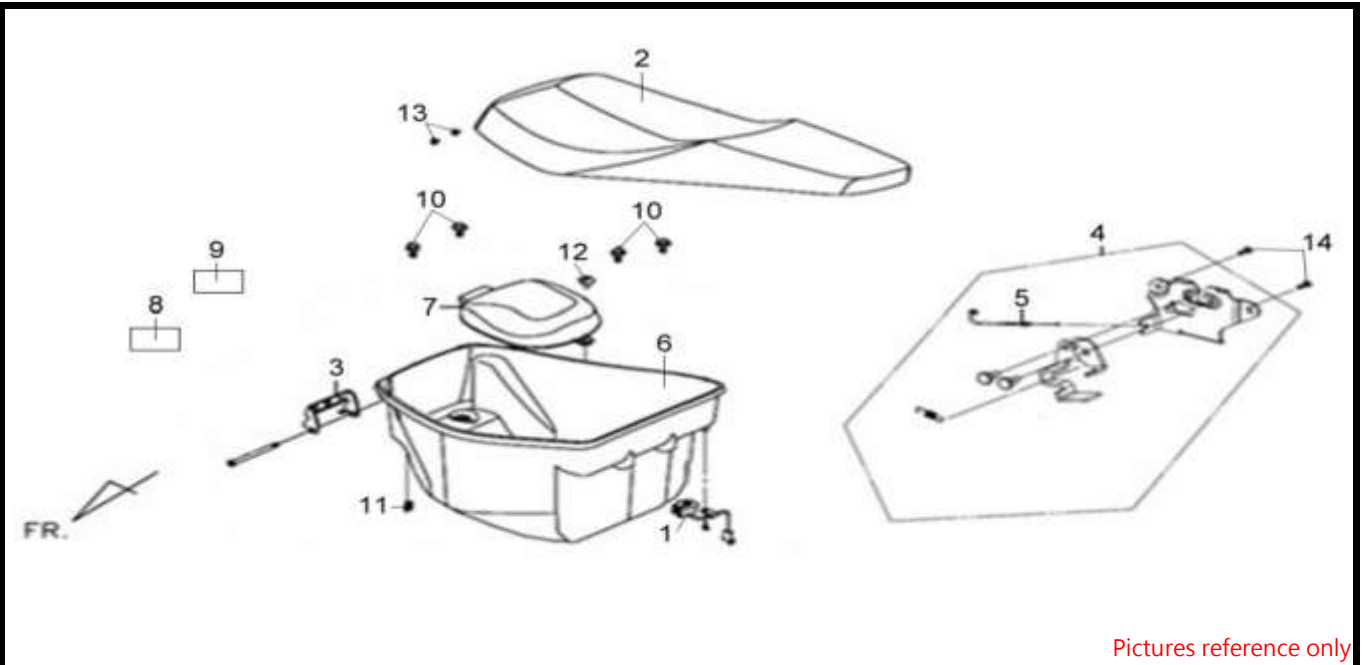


Pictures reference only

NO	PARTS NUMBER	DESCRIPTION	DESCRIPTION	QTY	EFFECTIVE DATE
01	42601-XGA-000-K		RR.CAST WHEEL	1	
01	42601-XGA-000-K		RR.CAST WHEEL	1	
01	42601-XGA-000-K		RR.CAST WHEEL	1	
02	42710-ANG-000		RR.TIRE	1	
03	42753-ABA-000		VALVE RIM	1	
04	4312A-H1A-000		RR. BRAKE SHOE	1	
05	43141-KAA-000		RR. BRAKE CAM	1	
06	43410-ALG-000		RR.BRAKE ARM	1	
07	43472-ABA-000		RR BRK ARM RETURN SP	1	
08	45133-B08-000		BRAKE SHOE SPRING	2	
09	90305-AAA-000		FLANGE NUT 16MM	1	
10	90501-M9Q-000		WASHER 16MM	1	
10	42312-ANM-000		RR.AXLE.COLLAR	1	01/09/2017
11	91352-KG8-831		O RING 11.3*1.3	1	
12	95015-32001		BRAKE ARM JOINT B	1	
13	95015-42000		ADJUST NUT B	1	

F11  
LUGGAGE BOX

AE12W8-CO (CROX 125)



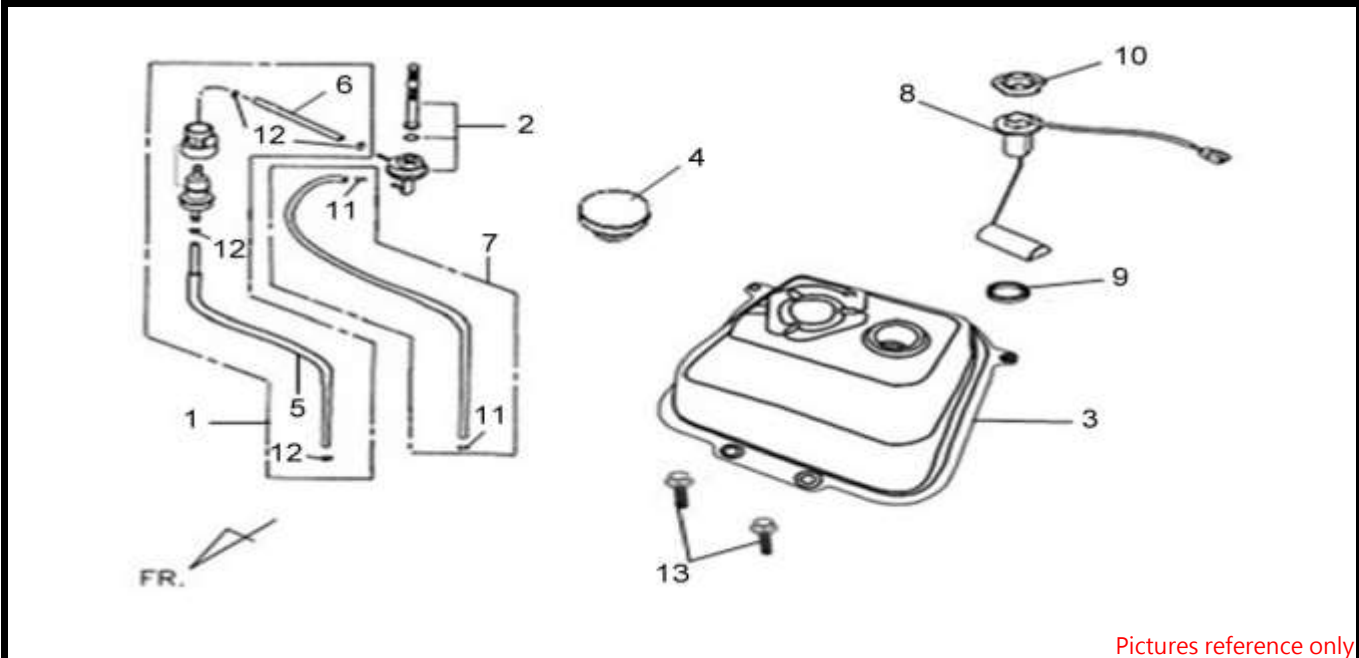
Pictures reference only

NO	PARTS NUMBER	DESCRIPTION	DESCRIPTION	QTY	EFFECTIVE DATE
01	36600-A1A-010		ENG.START CONTROL SW	1	
02	77200-AWU-800-T1		DOUBLE SEAT COMP	1	
02	77200-AWU-800-T1		DOUBLE SEAT COMP	1	
02	77200-AWU-800-T1		DOUBLE SEAT COMP	1	
03	77201-AAA-000		SEAT HINGE COMP.	1	
04	77230-ALA-000		SEAT CATCH COMP.	1	
05	77240-ABA-000		SEAT LOCK CABLE COMP	1	
06	81250-AAA-000		LUGGAGE BOX	1	
07	81251-M9Q-000		CARBURETOR MAINTANT	1	
08	87505-AWU-000		TIRE LABEL	1	
09	87560-XGA-000		DRIVE CAUTION MARK	1	
10	90115-ATA-000		FLANGE BOLT 6*16	4	
11	90302-M92-000		SPRING NUT 4MM	1	
12	90381-M9Q-000		SPECIAL SCREW 6X17	1	
13	94050-06020		FLANGE NUT 6MM	2	
14	95801-06012-08		FLANGE BOLT 6X12	2	



F12  
FUEL TANK

AE12W8-CO (CROX 125)

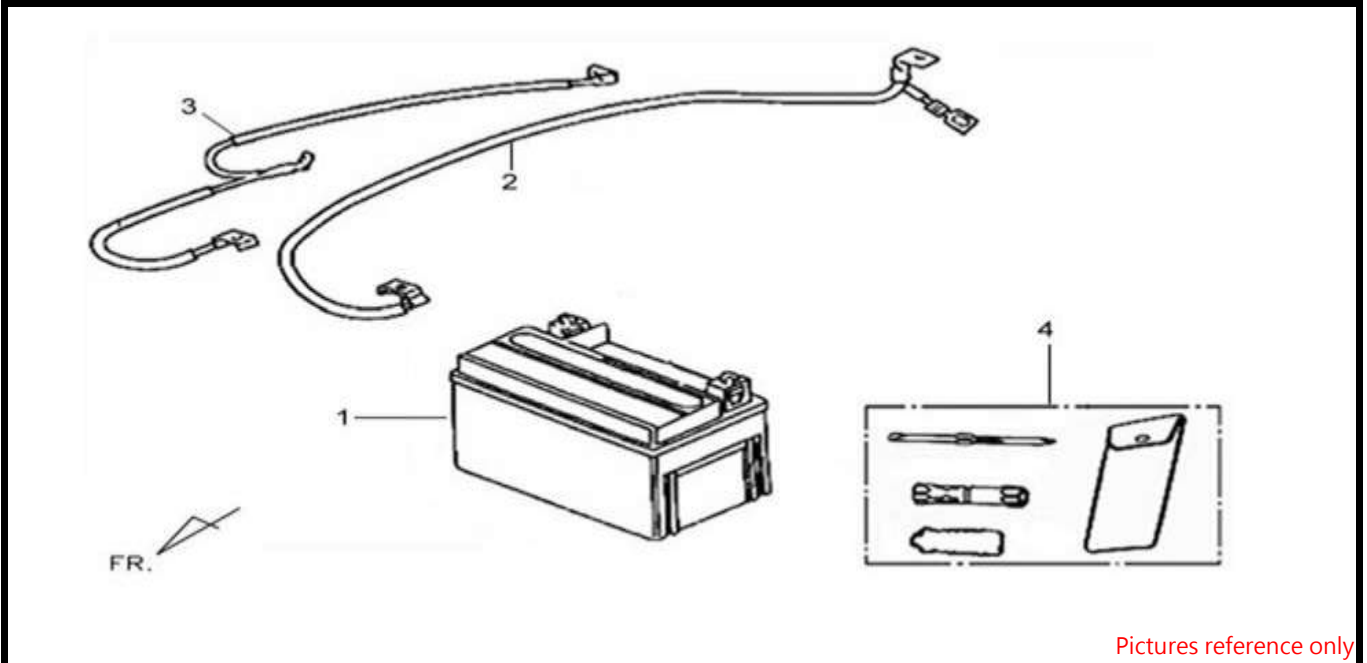


Pictures reference only

NO	PARTS NUMBER	DESCRIPTION	DESCRIPTION	QTY	EFFECTIVE DATE
01	16905-ABA-000		FUEL STRAINER	1	
02	16950-M9Q-000		FUEL COCK ASSY	1	
03	17500-AAA-000		FUEL TANK COMP	1	
04	17620-S7A-A00		FUEL FILLER CAP COMP.	1	
05	17682-ABA-000		FUEL TUBE A	1	
06	17683-AAA-000		FUEL TANK TUBE	1	
07	17684-ABA-000		VACUUM TUBE	1	
08	37800-ABA-000		FUEL UNIT ASSY	1	
09	37801-M9Q-000		BASE PACKING	1	
10	37802-M9Q-000		RET. FUEL UNIT	1	
11	95002-02070		TUBE CLIP B7	2	
12	95002-02080		BREATHER TUBE CLIP B8	4	
13	95801-06012-07		FLANGE BOLT 6X12	2	

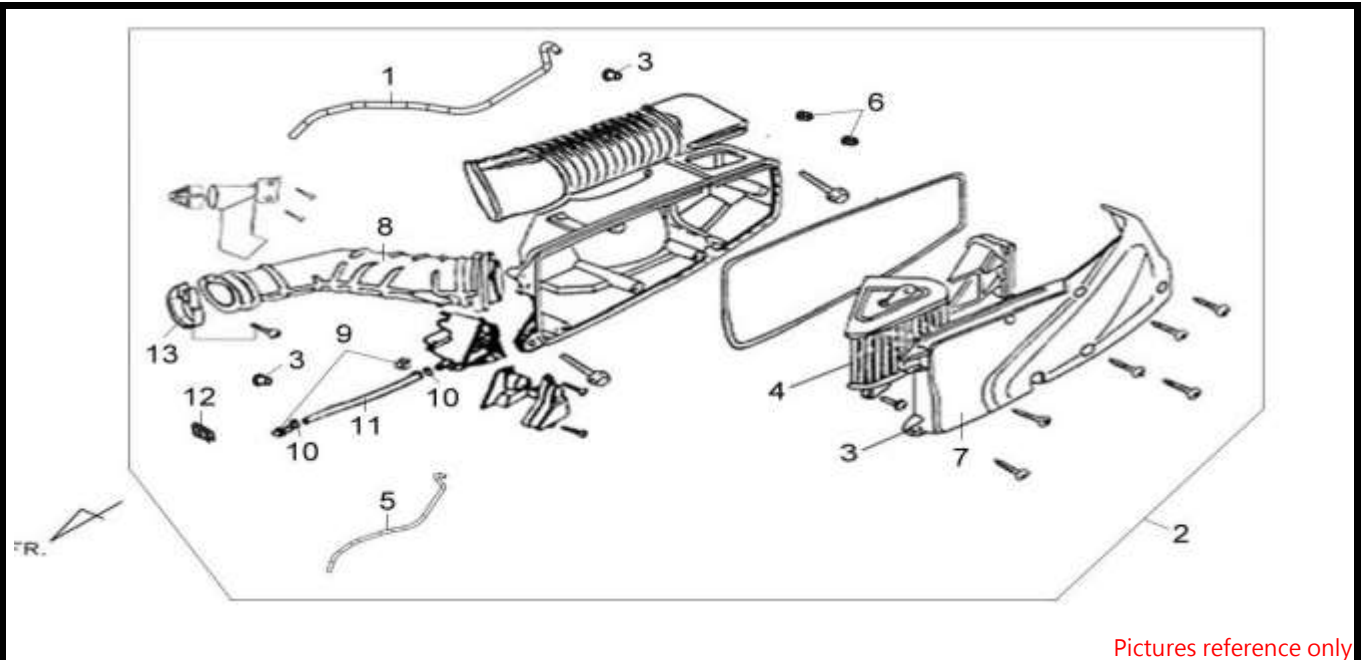
F13  
BATTERY ASS'Y

AE12W8-CO (CROX 125)



Pictures reference only

NO	PARTS NUMBER	DESCRIPTION	DESCRIPTION	QTY	EFFECTIVE DATE
01	1Y01GY601-Y		BATTERY ASSY. YTX7A-B	1	
02	32411-ABA-010		CABLE BATTERY	1	
03	32412-ABA-000		EARTH CABLE A	1	
04	89010-ANG-000		TOOL SET	1	

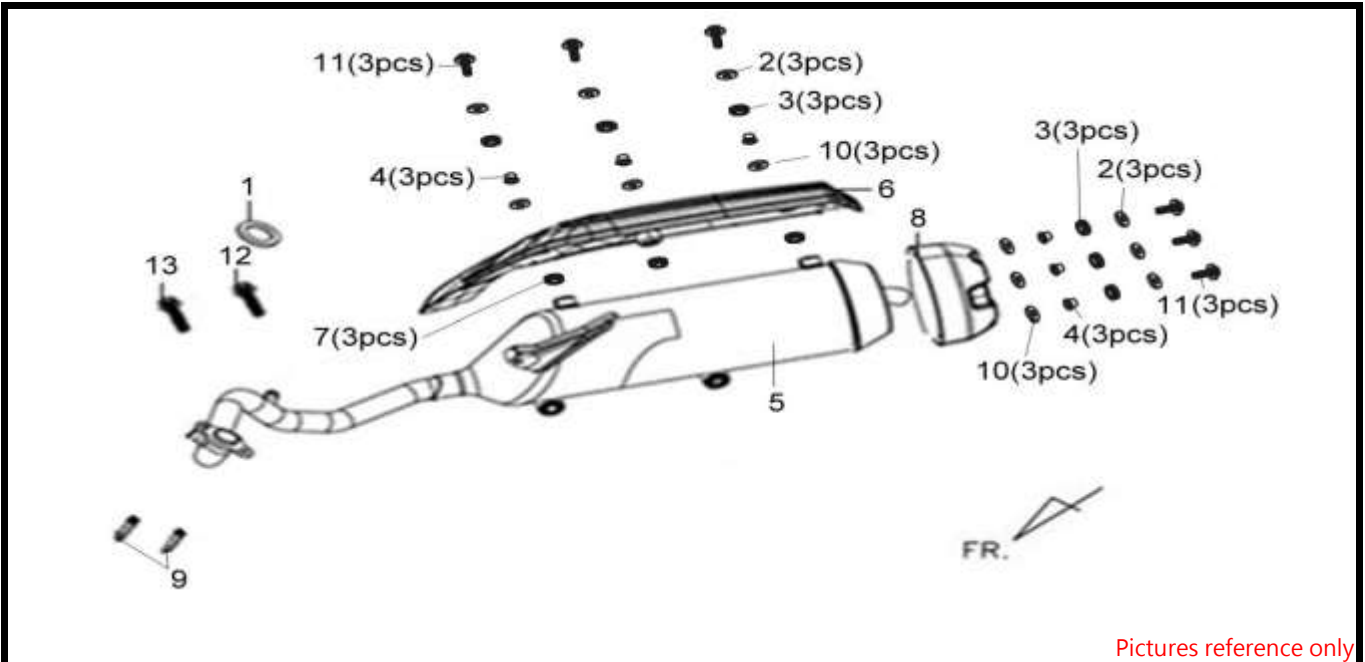


Pictures reference only

NO	PARTS NUMBER	DESCRIPTION	DESCRIPTION	QTY	EFFECTIVE DATE
01	11211-ANL-020		BREATHER TUBE	1	
02	17200-ANM-000		AIR/C ASSY	1	
03	17208-M9Q-300		AIR CLEANER SET COLLA	2	
04	17211-M9Q-000		AIR/C ELEMENT	1	
05	17216-ABA-000		AIR/C CASE DUCT	1	
06	17217-M9Q-300		INSERT NUT 5MM	2	
07	17231-ABA-010		AIR/C COVER COMP.	1	
08	17253-ABA-000		AIR/C CONN TUBE	1	
09	17370-M9Q-000		PLUG,BREATHER TUBE.	2	
10	17371-M9Q-000		BREATHER TUBE CLIP	2	
11	90303-H68-000		V TUBE 8*12*270	1	
12	90308-X04-000		SPECIAL NUT 5MM	1	
13	90652-M9Q-000		AIR/C CONN. TUBE BAND	1	

F15  
EXH. MUFFLER

AE12W8-CO (CROX 125)

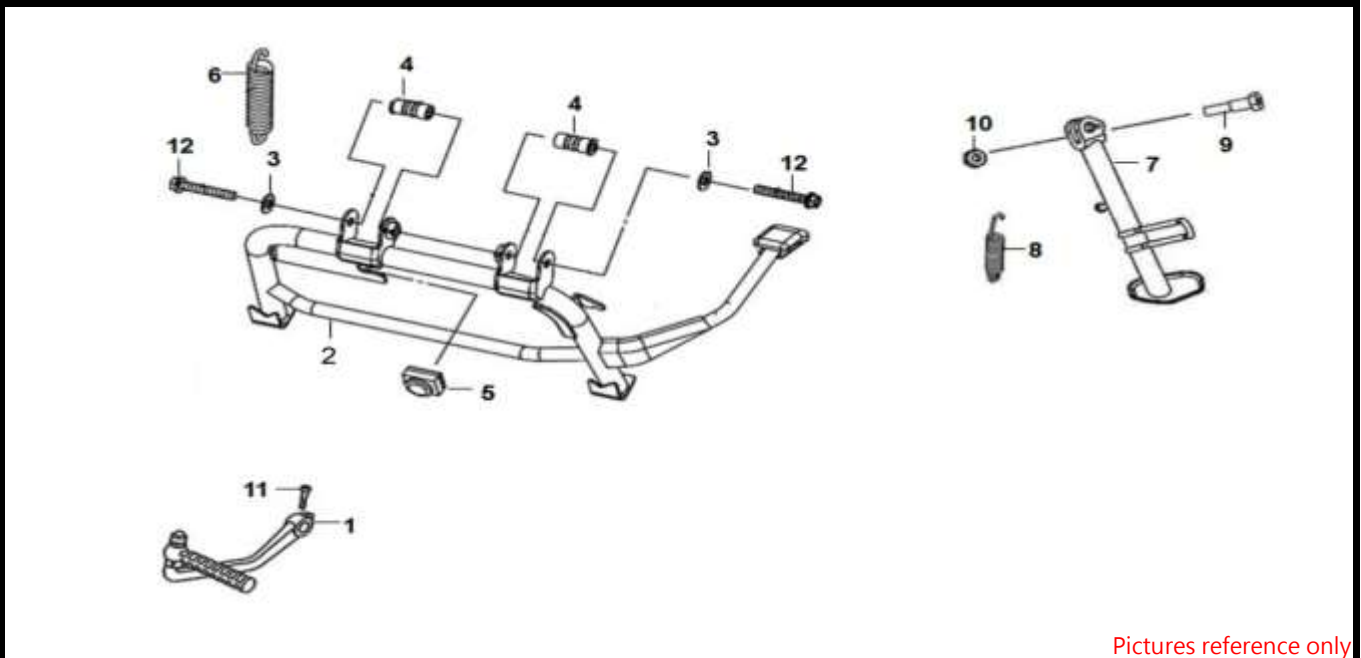


Pictures reference only

NO	PARTS NUMBER	DESCRIPTION	DESCRIPTION	QTY	EFFECTIVE DATE
01	18291-M9Q-000		EXH. PIPE GASKET(26.2X3	1	
02	18292-F3E-000		PROTECTOR PACKING A	6	
03	18293-F7S-000		PROTECTOR PACKING B	6	
04	18295-F3E-000		COLLAR M6	6	
05	18300-AEN-000		EXH. MUFFLER COMP.	1	
06	18318-HE1-000		MUFF.PROTECTOR	1	
06	18318-AE6-000		MUFF.PROTECTOR	1	11/05/2019
07	18320-F3E-000		PROTECTOR RUBBER	3	
08	18328-HE1-000		MUFFLER REAR PROTECT	1	
09	90043-HMA-000		CAP NUT	2	
10	90555-AMA-000		WASHER	6	
11	95801-06022-07		FLANGE BOLT 6X22	6	
12	95801-08045-07		FLANGE BOLT 8X45	1	
13	95801-08055-07		FLANGE BOLT 8X55	1	

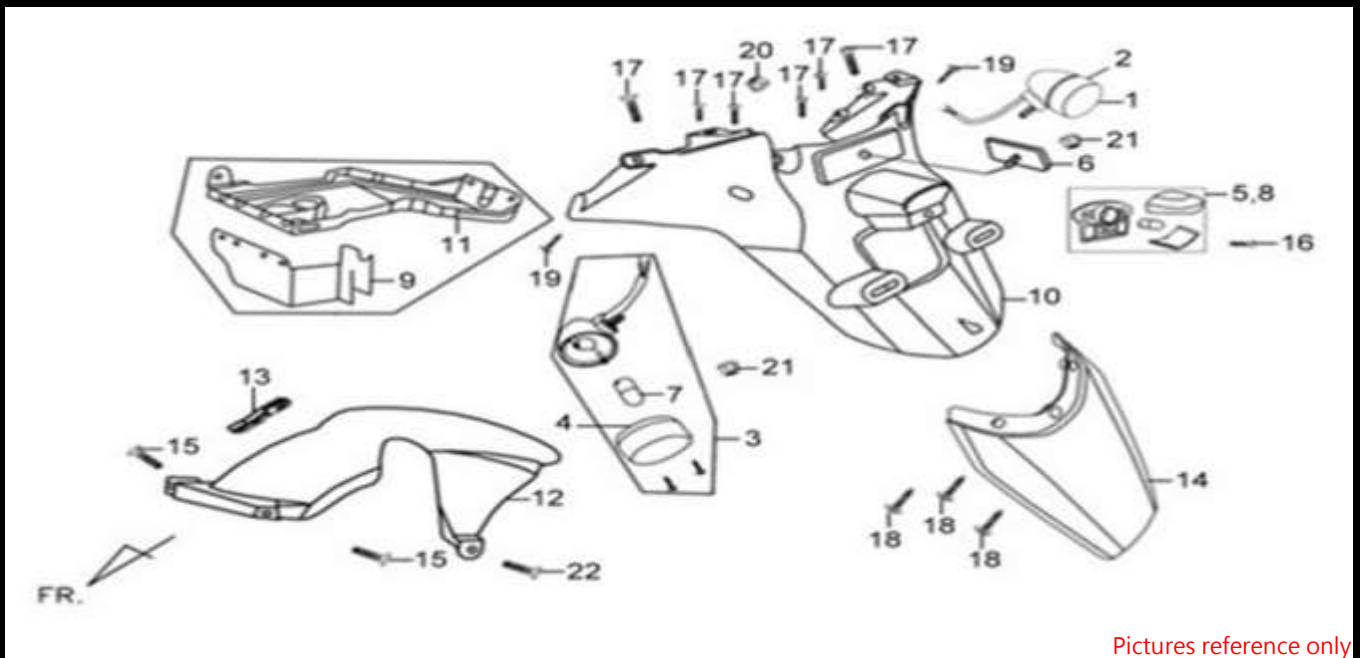
F16  
MAIN STAND

AE12W8-CO (CROX 125)



Pictures reference only

NO	PARTS NUMBER	DESCRIPTION	DESCRIPTION	QTY	EFFECTIVE DATE
01	28300-F6C-000		KICK STARTER ARM	1	
02	50500-ANA-000		MAIN STAND COMP	1	
03	50503-F6B-000		MAIN STAND WASHER	2	
04	50504-Z6A-000		MAIN STAND COLLAR	2	
05	50506-ABA-000		STAND STOP RUBBER A	1	
06	5052A-APA-000		MAIN STAND SPRING	1	
07	50530-ABA-000		SIDE STAND COMP	1	
08	50533-Z7C-000		SIDE STAND SPRING	1	
09	90108-AAG-000		SIDE STAND PIVOT SCREW	1	
10	94030-08000		HEX NUT 8MM	1	
11	95801-06022-07		FLANGE BOLT 6X22	1	
12	95801-08050-07		FLANGE BOLT 8X50	2	

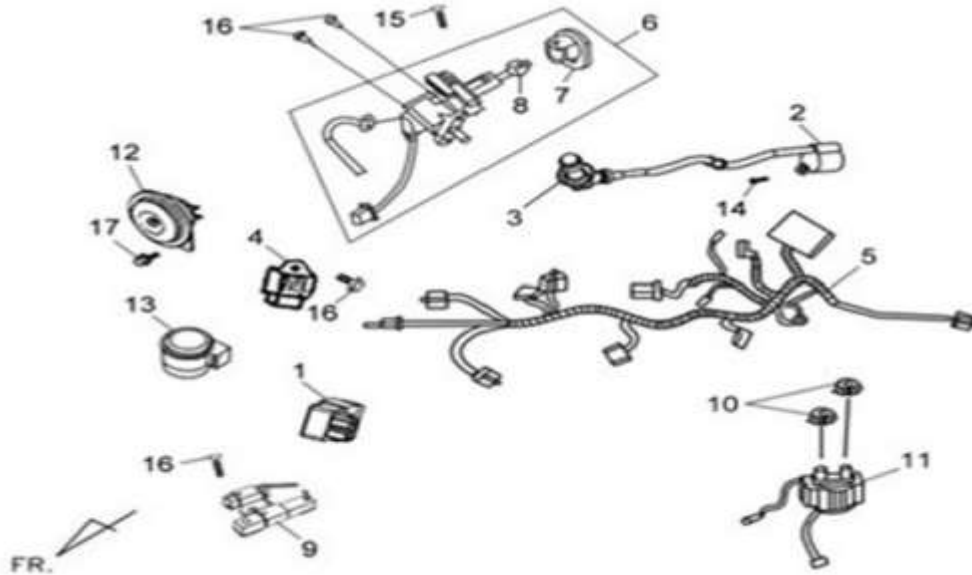


Pictures reference only

NO	PARTS NUMBER	DESCRIPTION	DESCRIPTION	QTY	EFFECTIVE DATE
01	33600-AEM-000		R. RR. WINKER ASSY	1	
02	33601-AEM-000		R.RR.WINKER LENS	1	
03	33650-AEM-000		L. RR. WINKER ASS'Y	1	
04	33651-AEM-000		L.RR.WINKER LENS	1	
05	33740-ABA-000		LICENSE LIGHT ASSY	1	
06	33741-N7B-E10		RR. FEFLEX REFLECTOR	1	
07	34905-M70-000		WINKER BULB RR 12V10W	2	
08	34908-M9Q-100		POSITION BULB 12V-5W (E	1	
09	80104-ABA-000		SPLASH GUARD PLATE	1	
10	80105-ABA-000		RR. FENDER	1	
11	80106-AAA-000		RR INNER FENDDER	1	
12	80107-ANA-000		RR MUDGUARD	1	
13	80109-ANA-000		RR.MDUGUARD STAY	1	
14	80110-AE3-000		RR FENDER MUDGUARD	1	
15	90111-M9Q-800		FLANGE BOLT 6MM	2	
16	93891-05014-07		SCREW WASHER 5X14	1	
17	93903-35220		SCREW TAPPING 5X12	6	
18	93903-35280		TAPPING SCREW 5X12	3	
19	93903-44380		TAPPING SCREW 4X12	2	
20	94050-05070		FLANGE NUT 5MM	1	
21	94050-05080		FLANGE NUT 5MM	2	
22	95801-06012-08		FLANGE BOLT 6X12	1	

F18  
WIRE HARNESS

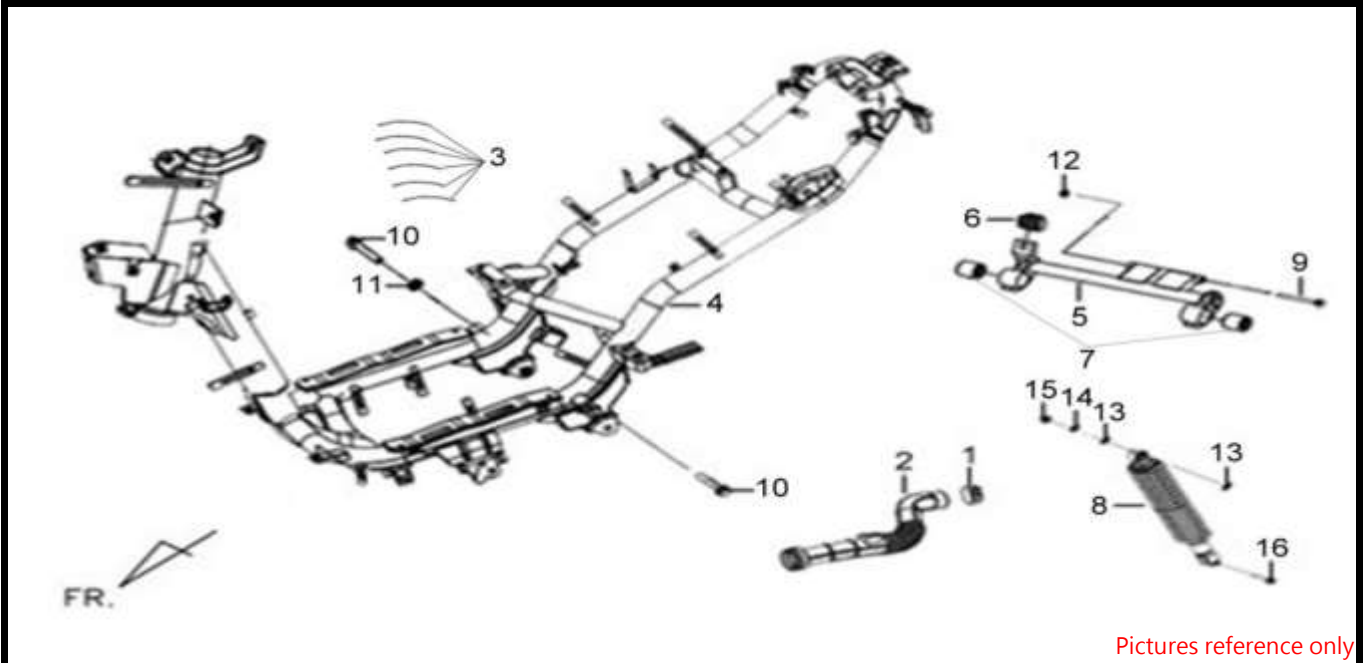
AE12W8-CO (CROX 125)



Pictures reference only

NO	PARTS NUMBER	DESCRIPTION	DESCRIPTION	QTY	EFFECTIVE DATE
01	30410-M92-000		CDI UNIT ASSY	1	
02	3051A-T7A-000		IGN.COIL ASSY	1	
03	30700-T7A-A00		NOISE SUPPERSOR CAP A	1	
04	31600-ZDA-000		REG.REC.COMP	1	
05	32100-AEL-010		WIRE HARNESS	1	
06	35010-ABA-000		KEY SET	1	
07	35110-ABA-000		RING	1	
08	35111-A8D-000-A		KEY	1	
09	35400-T3D-A00		RESISTOR COMP	1	
10	35859-M9Q-000		STAR MAG. SW NUT	2	
11	3585A-35A-A00		START MAG. SW.	1	
12	38110-ABA-000		HORN COMP	1	
13	38300-T40-010		WINKER RELAY ASSY	1	
14	90112-AAA-000		FLANGE BOLT 5*22	1	
15	93891-05010-08		WASHER SCREW 5X10	1	
16	95801-06016-07		FLANGE BOLT 6X16	2	
17	95801-08012-07		FLANGE BOLT 8X12	1	





Pictures reference only

NO	PARTS NUMBER	DESCRIPTION	DESCRIPTION	QTY	EFFECTIVE DATE
01	11346-ABA-000		L COVER DUCT BAND	1	
02	1134B-ABA-000		L.COVER DUCT ASSY	1	
03	32161-APA-000		WIRE HARNESS BAND 300	6	
04	50100-AEL-000		FRAME BODY	1	
05	50351-ANA-010		ENG.HANGER LINK	1	
06	50352-A1A-000		LIN STOPPER RUBBER	1	
07	50353-M9Q-000		SWING LOCK BUSH	2	
08	52400-ABA-010		RR.CUSHION ASSY	1	
09	90105-ARA-000		FLANGE BOLT 10*191	1	
10	90106-ABA-000		FLANGE BOLT 10*55	2	
11	90121-M9Q-000		DISTANCE COLLAR	1	
12	90304-AAA-000		FLANGE U NUT 10MM	1	
13	90555-B04-000		WASHER 12MM	2	
14	94050-10040		FLANGE NUT 10MM	1	
15	94101-10000		PLAIN WASHER 10MM	1	
16	95801-08035-00		FLANGE BOLT M8X35	1	

PARTS NO.	NO.	PARTS NO.	NO.	PARTS NO.	NO.
11100-ARA-000	E04	14452-ANL-000	E02	18295-F3E-000	F15
11102-M9Q-300	E12	14457-ANL-000	E03	18300-AEN-000	F15
11102-M9Q-300	E04	14510-F8A-000	E03	18318-HE1-000	F15
11192-F6C-000	E12	14520-M9Q-000	E05	18320-F3E-000	F15
11200-ANA-010	E12	14523-GY6-900	E05	18328-HE1-000	F15
11202-M92-000	E12	14531-M9Q-000	E12	18601-MJ1-790	E02
11203-AFA-000	E11	1453A-M92-000	E12	18612-GY6-A00	E02
11203-GC7-300	E12	14610-F8A-000	E03	18645-M9Q-000	E02
11204-ABA-000	E12	14711-F8A-000	E02	18647-F6S-000	E02
11205-F6A-300	E04	14721-F8A-000	E02	1865A-ANL-000	E02
11211-ANL-020	F14	14751-ARA-000	E02	18670-S6N-000	E14
11221-ABA-000	E11	14771-F6C-A00	E02	19510-F6A-010	E07
11331-ARB-000	E06	14781-A01-A00	E02	1961A-ANL-000	E01
11341-ANA-000-K1	E08	15100-F6C-000-XS	E04	19625-F8A-000	E01
11342-ANA-000	E08	15133-F6C-000	E04	19626-F8A-000	E01
11343-ANA-000	E08	15421-H66-000	E06	1962A-ANL-000	E01
11346-ABA-000	F19	15426-GE1-920	E06	19635-ANL-000	E01
1134B-ABA-000	F19	1565A-F6A-000	E06	1963A-ANL-000	E01
11360-M92-300	E08	15711-M92-000	E04	1B01ANA01	E09
11394-F6C-000	E06	16100-ANM-000	E14	1C14401-M92-000	E03
11395-ANA-000	E08	16201-ANL-010	E02	1PCR7HSA-3	E02
12100-ARA-000	E05	16211-ANL-010	E02	1Y01GY601-Y	F13
12100-ARA-000-A-XS	E05	16905-ABA-000	F12	21200-ANM-000	E11
12191-F6C-000	E05	16950-M9Q-000	F12	21395-ABA-000	E11
12200-ANL-000	E02	1711A-ANM-000	E14	22101-M9Q-000	E10
12209-H6B-900	E02	17200-ANM-000	F14	22102-M92-000	E09
12237-F6A-300	E02	17208-M9Q-300	F14	22105-M92-000	E09
12251-H7A-000	E02	17211-M9Q-000	F14	22110-H5B-000	E09
12302-ANL-000	E02	17216-ABA-000	F14	2211A-ARA-000	E09
12308-F6C-000	E02	17217-M9Q-300	F14	22121-HKE-000-A	E09
12310-A61-000	E02	17231-ABA-010	F14	22131-M92-000	E09
1236A-M9T-000	E06	17253-ABA-000	F14	22132-ARA-000-A	E09
12391-F8A-000	E02	17256-M9Q-000	E14	22300-F6C-000	E10
13000-ANL-000	E13	17370-M9Q-000	F14	22350-HKE-000	E10
13010-U3A-000	E05	17371-M9Q-000	F14	22361-M9Q-000	E10
13101-ANL-000	E05	17500-AAA-000	F12	22401-H6T-000	E10
13111-ARA-000	E13	17620-S7A-A00	F12	22804-M9Q-000	E10
13201-ARA-000	E13	17682-ABA-000	F12	23010-F6C-000	E10
13381-M92-300	E13	17683-AAA-000	F12	23200-HKE-000	E10
14100-ANL-000	E03	17684-ABA-000	F12	23210-HKE-000	E10
14105-F6A-000	E03	17910-AEL-000	F03	23220-HKE-000	E10
14311-F6A-300	E13	18241-F6S-000	E01	23225-HKE-000	E10
14439-F8A-000	E02	18291-M9Q-000	F15	23226-M9Q-000	E10
1443A-ANL-000	E02	18292-F3E-000	F15	23233-M9Q-000	E10
14451-ANL-000	E02	18293-F7S-000	F15	23237-M9Q-000	E10

PARTS NO.	NO.	PARTS NO.	NO.	PARTS NO.	NO.
23238-HKE-000	E10	33650-AEM-000	F17	45100-ATA-000-R	F04
23411-ANL-000	E11	33651-AEM-000	F17	45105-APA-000-A	F04
23420-ANL-010	E11	33700-AEN-000	F07	45121-AWU-000-K	F09
23431-ANL-000	E11	33701-AEN-000	F07	45126-AWU-000	F04
23432-ANL-000	E11	33740-ABA-000	F17	45133-B08-000	F10
2343A-ANL-000	E11	33741-N7B-E10	F17	45156-AAA-000	F08
28101-M9Q-000	E04	34901-X06-000	F01	45465-AAA-000	F08
28102-GY6-900	E04	34905-M70-000	F17	45500-AE1-000-R	F04
28110-M9Q-000	E04	34905-M70-000	F01	50100-AEL-000	F19
28120-M9Q-000	E04	34906-268-600	F07	50180-AWU-000	F05
28124-H6T-000	E04	34906-ABF-000	F01	50300-M9Q-A00	F08
28125-M92-000	E04	34908-M9Q-100	F17	50301-M9Q-000-XS	F08
28126-M9Q-000	E04	35010-ABA-000	F18	50302-M9Q-000-XS	F08
2812A-H6T-900	E04	35110-ABA-000	F18	50303-AAA-000	F08
28230-H6T-000	E08	35111-A8D-000-A	F18	50304-AAA-000	F08
28233-M92-000	E08	35150-XDE-000	F03	50306-M9Q-000-XS	F08
28250-ARA-000	E08	35200-AEN-000	F03	50326-AAA-000	F06
28254-M92-000	E08	35340-M92-900	F04	50351-ANA-010	F19
28258-HEB-000	E08	35400-T3D-A00	F18	50352-A1A-000	F19
28281-ARA-000	E08	35859-M9Q-000	F18	50353-M9Q-000	F19
28300-F6C-000	F16	3585A-35A-A00	F18	50500-ANA-000	F16
30410-M92-000	F18	36600-A1A-010	F11	50503-F6B-000	F16
3051A-T7A-000	F18	37200-AWU-000	F02	50504-Z6A-000	F16
30700-T7A-A00	F18	37212-AJF-000	F02	50506-ABA-000	F16
31110-X1A-000	E07	37800-ABA-000	F12	5052A-APA-000	F16
31120-X1A-000	E07	37801-M9Q-000	F12	50530-ABA-000	F16
31200-F6C-000	E12	37802-M9Q-000	F12	50533-Z7C-000	F16
31600-ZDA-000	F18	38110-ABA-000	F18	50612-APA-000	F06
32100-AEL-010	F18	38300-T40-010	F18	50613-ABF-000	F06
32161-APA-000	F19	42601-XGA-000-K	F10	51400-ATA-000-K	F08
32162-H6T-000	F07	42710-ANG-000	F10	51500-ATA-000-K	F08
32411-ABA-010	F13	42753-ABA-000	F09	52400-ABA-010	F19
32412-ABA-000	F13	42753-ABA-000	F10	53100-AWU-000-GY	F03
32961-ARA-000	E06	4312A-H1A-000	F10	53104-N5G-B00	F03
33100-AEM-000	F01	43141-KAA-000	F10	53125-CT1C-A00	F02
33107-A7A-000	F01	43410-ALG-000	F10	53131-AWU-000	F03
33140-AEM-000	F01	43450-ANR-000	F03	53132-AWU-000	F03
33145-AWU-000	F01	43472-ABA-000	F10	53140-N7K-000	F03
33146-AWU-000	F01	44301-AAA-000	F09	53166-N7K-000	F03
33400-AEM-000	F01	44311-AAA-000	F09	53170-AWU-000	F04
33401-AEM-000	F01	44601-XFA-000-K	F09	5319Z-AWU-000	F03
33450-AEM-000	F01	44620-AAA-000	F09	53200-AAA-000	F08
33451-AEM-000	F01	44710-ANG-000	F09	53201-AWU-000	F02
33600-AEM-000	F17	44800-ATA-000-K	F09	53205-AWU-000-KC	F03
33601-AEM-000	F17	44830-XDE-000	F02	53205-AWU-000-KG	F03

PARTS NO.	NO.	PARTS NO.	NO.	PARTS NO.	NO.
53205-AWU-000-WD	F03	83500-AAA-000-KC	F07	90106-AAA-000	F02
53207-B9A-000-KC	F02	83500-AAA-000-RI	F07	90106-ABA-000	F19
53207-B9A-000-RI	F02	83500-AAA-000-WD	F07	90106-N02-000	F09
53207-B9A-000-WD	F02	83600-AAA-000-KC	F07	90108-AAG-000	F16
53208-AWU-000	F03	83600-AAA-000-RI	F07	90109-42128	F05
53209-AWU-000	F03	83600-AAA-000-WD	F07	90109-42168	F06
53211-M9Q-000-XS	F08	83750-AAA-000	F07	90110-AWU-000	F03
53212-M9Q-000-XS	F08	87123-AE1-000-T1	F05	90111-AAA-000	F06
53214-M9Q-000	F08	87123-AE1-000-T2	F05	90111-AWU-000	F05
53215-M9Q-000	F08	87123-AE1-000-T3	F05	90111-M9Q-800	F17
53231-AWU-000	F02	87128-AEN-000	F07	90112-AAA-000	F18
53231-AWU-000	F03	87131-AE1-000-T1	F08	90115-ATA-000	F11
61100-AWU-000-KC	F08	87131-AE1-000-T2	F08	90115-G02-000	F06
61100-AWU-000-KG	F08	87131-AE1-000-T3	F08	90121-M9Q-000	F19
61100-AWU-000-WD	F08	87132-AE1-000-T1	F08	90145-M9Q-000	F04
64301-AWU-000-KC	F05	87132-AE1-000-T2	F08	90164-M9Q-000	F05
64301-AWU-000-RI	F05	87132-AE1-000-T3	F08	90164-M9Q-000	F08
64301-AWU-000-WD	F05	87133-AEL-000-T1	F05	90201-GY6-900	E04
64302-AWU-000	F05	87133-AEL-000-T2	F05	90202-M9Q-000	E10
64303-AWU-000-KC	F01	87133-AEL-000-T3	F05	90206-HLK-000	E02
64303-AWU-000-KG	F01	87134-AEL-000-T1	F05	90301-M9Q-900	F02
64303-AWU-000-WD	F01	87134-AEL-000-T2	F05	90302-M92-000	F06
64307-ABA-000	F03	87134-AEL-000-T3	F05	90302-M92-000	F11
64310-ABF-000	F06	87170-AEL-000	F03	90303-H68-000	F14
64318-ALA-000-BK	F05	87170-AKA-A00-T1	F05	90304-AAA-000	F02
77200-AWU-800-T1	F11	87170-AKA-A00-T2	F05	90304-AAA-000	F19
77201-AAA-000	F11	87170-ATA-000	F07	90305-AAA-000	F10
77230-ALA-000	F11	87505-AWU-000	F11	90306-N7C-000	F09
77240-ABA-000	F11	87560-XGA-000	F11	90308-X04-000	F06
80104-ABA-000	F17	88110-Z8H-000	F03	90308-X04-000	F14
80105-ABA-000	F17	88120-Z8H-000	F03	90381-M9Q-000	F11
80106-AAA-000	F17	89010-ANG-000	F13	90401-ANL-000	E11
80107-ANA-000	F17	90001-M9Q-000	E05	90403-M92-000	E04
80109-ANA-000	F17	90002-ANL-000	E02	90440-166-000	E07
80110-AE3-000	F17	90002-M9Q-000	E04	90440-166-000	E09
80151-AAA-000	F06	90012-M9Q-000	E02	90440-166-000	E10
81131-ABF-000	F05	90031-M2Q-000	E05	90451-M7Q-000	E08
81132-H12-000	F06	90032-A6A-000	E05	90452-M9Q-000	E08
81132-M7Q-000	F05	90034-ABA-000	E02	90474-333-000-KD	E12
81133-ABA-000	F05	90034-HMA-000	E02	90501-M9Q-000	F10
81133-H12-000	F06	90043-HMA-000	F15	90545-M9Q-000	F04
81200-AWU-000-K1	F07	90083-B12-000	E03	90555-AMA-000	F15
81200-AWU-000-WA	F07	90103-KN8-000	E12	90555-B04-000	F19
81250-AAA-000	F11	90105-ANA-000	F07	90555-T3A-A00	F03
81251-M9Q-000	F11	90105-ARA-000	F19	90602-N01-000	E04

PARTS NO.	NO.	PARTS NO.	NO.	PARTS NO.	NO.
90605-166-720	E10	93903-44380	F17	96001-06016-08	E12
90652-M9Q-000	F14	93903-45320	F05	96001-06018-08	E07
90703-M8Q-000	E11	93904-35380	E01	96001-06025-08	E01
90703-M8Q-000	E05	94030-08000	F16	96001-06028-00	E08
90703-M8Q-000	E12	94050-05070	F17	96001-06028-08	E07
90754-M9Q-000-M2	F09	94050-05080	F17	96001-06030-08	E06
90912-M9Q-000-M1	F09	94050-06000	E14	96001-06045-08	E04
91001-F6A-300	E13	94050-06020	F11	96001-06055-08	E04
91001-GY6-900-M1	E10	94050-08080	E02	96001-06095-08	E06
91001-H6B-300	E13	94050-10040	F19	96001-06095-08	E02
91002-GA7-701	E10	94050-12000	E07	96001-06100-08	E06
91003-M8Q-000	E11	94050-12000	E09	96100-62033-10	E11
91101-M9Q-000	E13	94050-12000	E10	96100-63013-00	E11
91104-KN7-670	E11	94101-10000	F19	96150-62043-10	E11
91104-M9Q-000	E04	94103-06400	F02	96700-06012-08	F05
91105-M9Q-000	E04	94109-12000	E12	96700-06022-00	F04
91201-HHA-300	E11	94301-08140	E06	96700-06025-07	F03
91201-M9Q-300-M1	E04	94301-08140	E12		
91202-A6A-000	E09	94510-22000	E11	ADD	
91202-KJ9-003	E11	94511-14000	E08	22121-AEN-000-A	E09
91211-M8Q-000	E10	94520-28000	E10		
91258-M9Q-000-M2	F09	94601-15000	E13		
91302-M9Q-000	E06	95002-02070	E14		
91304-M9Q-000	E12	95002-02070	F12		
91305-M9Q-000	E02	95002-02080	F12		
91307-035-000	E06	95005-35050-50	E14		
91352-KG8-831	F10	95015-32001	F10		
91384-M9Q-000	E10	95015-42000	F10		
92101-05012-0A	E07	95701-06025-00	E02		
92800-12000	E12	95701-06045-00	E02		
93404-06016-00	F06	95801-06012-07	F12		
93404-06016-00	F08	95801-06012-08	F02		
93500-05012-0H	E08	95801-06012-08	F11		
93600-06025-0H	E04	95801-06012-08	F17		
93891-05010-08	F18	95801-06016-07	F18		
93891-05014-07	F17	95801-06022-07	F16		
93903-34340	F01	95801-06022-07	F15		
93903-35220	F17	95801-08012-07	F18		
93903-35240	F02	95801-08035-00	F19		
93903-35240	F02	95801-08040-00	F08		
93903-35240	F07	95801-08045-07	F15		
93903-35240	F06	95801-08050-07	F16		
93903-35240	F05	95801-08055-07	F15		
93903-35280	F17	96001-06012-08	E04		
93903-35320	F07	96001-06016-08	E03		